



AFTERMARKET

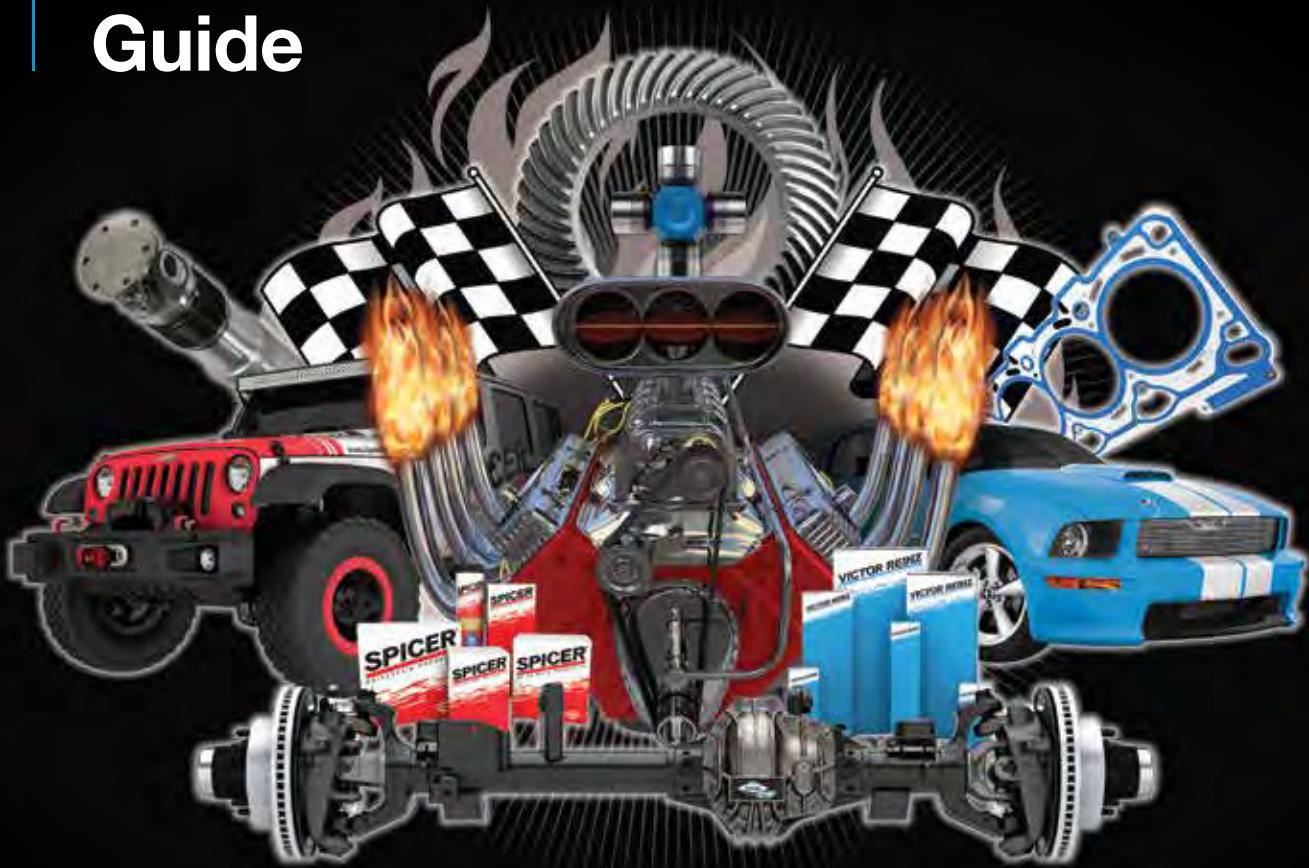
**PERFORMANCE**

DTP-AMG-112020  
November 2020

Product Catalog

Supersedes DTP-AMG-2018  
Released October 2018

# Spicer® Performance Axle Model Guide



## Applications Include:

4x4/Off-Road, Diesel, Street, Strip, and Track



Product Information: [SpicerParts.com](http://SpicerParts.com) | E-Catalog and parts locator: [DanaAftermarket.com](http://DanaAftermarket.com)

# SEARCH



# LOCATE



# ORDER



# TRACK



# SIMPLIFIED.



[DanaAftermarket.com](http://DanaAftermarket.com)

**SPICER<sup>®</sup>**



**It's never been easier to do business with Dana.**

You've spoken. We've listened. Easily access the genuine Spicer parts information you need to succeed. Search by part number, product type, product line, keywords, and year-make-model. Place and track your orders. It's all here to help streamline your operations and grow your business.

Experience the new one-stop solution from Spicer today!

©Dana Limited, 2017. All rights reserved. Dana Limited, Spicer<sup>®</sup> is a registered trademark of Dana Limited.

# Unleash the Performance of Your Vehicle.

From the punishing speeds of the circle track to the brutal terrain of off-road, Dana understands what it means to push the boundaries. Spicer® aftermarket driveline components are trusted by the experts, wherever limits are tested and parts are proven. We engineer our parts to deliver peak performance and optimum strength, so you can hit the road, the track, or the trail with the confidence that comes from knowing you are backed by the industry leaders. To discover the difference that genuine high-performance Spicer products can deliver for you, contact a Spicer Performance representative today.





# Bracketless Axles

Take on the most brutal terrain with Ultimate Dana 60® Bracketless Crate Axles®: the biggest, strongest axles out there are now available from Dana for almost any off-road vehicle. Built with genuine Spicer® components, these mighty Crate Axles feature upgrades that give you a competitive advantage on the trail.

Off-road enthusiasts will appreciate the massive SPL® 70 u-joints, heavy-duty upgraded brakes, nickel chromoly steel axle shafts, durable Spicer performance ring and pinion gears, and the aggressive nodular iron diff cover. Front Crate Axles feature the Dana-exclusive high clearance housing, while the rear axles utilize ultra-strong 3-1/2" tubes with 3/8" wall thickness.

Visit [SpicerParts.com](http://SpicerParts.com) to learn more, then get the performance and dependability of Ultimate Dana 60® for your custom build!

Differential	Ratio	Front	Rear
E-Locker	3.73	10064659	10055395
E-Locker	4.10	10064660	10055396
E-Locker	4.88	10064658	10055398
E-Locker	5.38	10064657	10055400
ARB (Air Locker)	4.88	10146346	10144196
ARB (Air Locker)	5.38	10146347	10144198





# BUILDER AXLE PROGRAM



## Genuine Dana Builder Axle Program

**Spend Less Time in the Junkyard and More Time on the Trail.**

Customizing your Dana 60™ axle? Dana’s Builder Axle Program lets you order the right Spicer parts for the job. You can get new, genuine OE parts to fit almost any off-road vehicle.

Even if you’re building an “Ultimate Snow Fighter” axle, you can find all the parts you need. Just go to DanaAftermarket.com, enter “Builder Axle” in the search bar, and follow these three easy steps:

**1. Select your genuine Dana 60™ builder housing:**

- Front Dana 60™ high pinion, high clearance, cut-to-length housing
- Rear Dana 60™ cut-to-length housing

**2. Determine your desired components:**

- Ball joint knuckle kit (includes knuckles, tube yokes, and relevant components)
- Wheel end kit (includes hubs, spindles, and relevant components)
- Hub lock/drive flange kit

- Lockers
- SPL®-70 axle shafts
- Ring and pinion gearing
- Bearing kits
- Brake kits
- Yoke / flange

**3. Use the “Where to Buy” feature on DanaAftermarket.com to find a distributor near you. It’s that easy!**

# Aftermarket Drivetrain Products for the Jeep® Gladiator JT

Customization and modification are enduring elements of the Jeep lifestyle, and Dana offers aftermarket options to guarantee that this tradition remains strong with the Jeep Gladiator JT. Whether you're enhancing your JT for extreme off-roading, or performing repairs that are also an upgrade, see all the options for Dana axles and Spicer parts with a genuine OE factory-grade fit at [SpicerParts.com/Jeep-JT](https://SpicerParts.com/Jeep-JT).

## Spicer® Driveshafts

### Heavy Duty Upgrade - 1310 Series Driveshaft

Application	Position	Spicer Part #
Jeep Gladiator JT	Front	10020345

### Heavy Duty Upgrade - 1350 Series Driveshaft

Application	Position	Spicer Part #
Jeep Gladiator JT with Dana 44™ AdvanTEK® Front Axle	Front	10097840

## Spicer® Performance Nodular Iron Diff Covers

Application	Axle Model	Position	Description	Spicer Part #
2020 Gladiator JT	Dana 44™ AdvanTEK®	Front	Gray Nodular Iron (with hardware)	10044799
2020 Gladiator JT	Dana 44™ AdvanTEK®	Front	Blue Nodular Iron (with hardware)	10053466
2020 Gladiator JT	Dana 44™ AdvanTEK®	Rear	Gray Nodular Iron (with hardware)	10040651
2020 Gladiator JT	Dana 44™ AdvanTEK®	Rear	Blue Nodular Iron (with hardware)	10053468

## Spicer® Nickel Chromoly Axle Shafts

Front Axle	Series	Right Part #	Left Part #
Dana 44™ AdvanTEK® Wide Track E-Locker	1410	10033860	10033859

Rear Axle	Right Part #	Left Part #
Dana 44™ AdvanTEK® Wide Track E-Locker	10043169	10043168

### Axle Shaft Assembly Kits for the Wrangler JT (Includes Left and Right)

Application	Axle Model	Location	Description	Spicer Part #
2020 and Newer Gladiator JT	Dana 44™ AdvanTEK® Wide Track with E-Locker	Front	Front Right and Left Axle Shaft Kit	10044459



## Spicer® Blue-Coated Performance U-Joints

Spicer U-Joint Part #	Blue U-Joint Equivalent
5-7166X	SPL30-7166XC
5-1350X	SPL30-1350XC





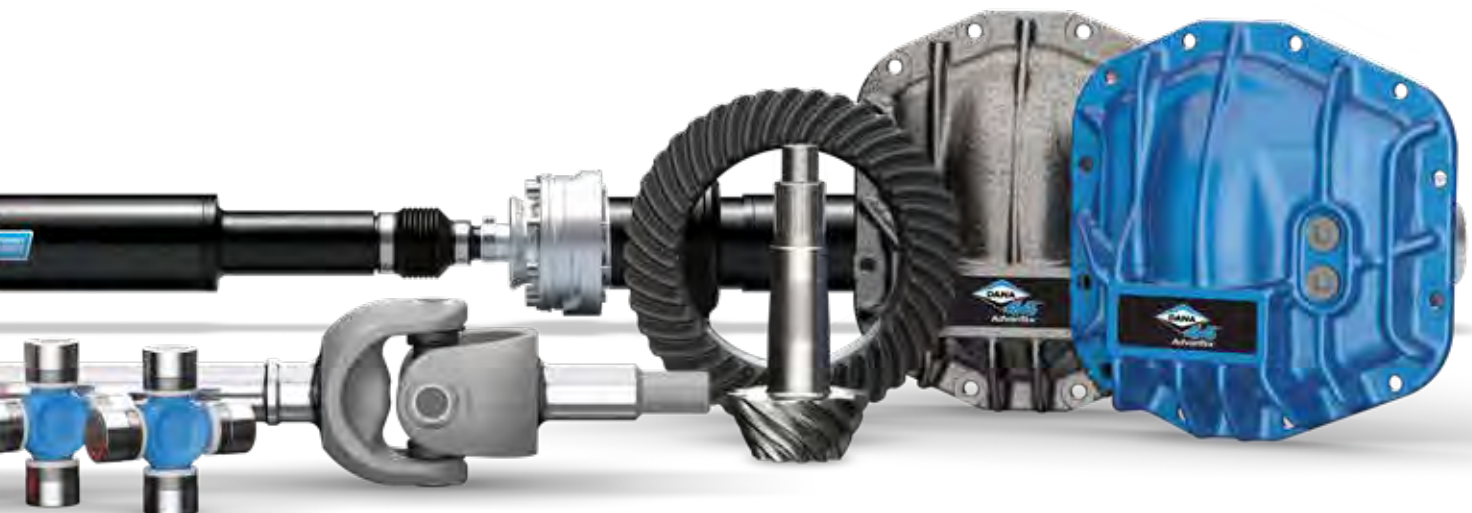
# SPICER®

**AdvanTEK®**  
PERFORMANCE GEARING



## Differential Bearing Rebuild Kits

Front Axle	Ratio	Spicer Part #	Install Kit Part #	Master Kit Part #
Dana 44™ AdvanTEK®	3.73	10046055	10040468	10040469
Dana 44™ AdvanTEK®	4.10	10048087	10040468	10040469
Dana 44™ AdvanTEK®	4.56	10050939	10040468	10040469
Dana 44™ AdvanTEK®	4.88	10051746	10040468	10040469
Dana 44™ AdvanTEK®	5.13	10051004	10040468	10040469
Dana 44™ AdvanTEK®	5.38	10050979	10040468	10040469
Rear Axle	Ratio	Spicer Part #	Install Kit Part #	Master Kit Part #
Dana 44™ AdvanTEK®	3.43	10062926	10040477	10040478
Dana 44™ AdvanTEK®	3.73	10062017	10040477	10040478
Dana 44™ AdvanTEK®	4.10	10062033	10040477	10040478
Dana 44™ AdvanTEK®	4.56	10067141	10040477	10040478
Dana 44™ AdvanTEK®	4.88	10073110	10040477	10040478
Dana 44™ AdvanTEK®	5.13	10067157	10040477	10040478
Dana 44™ AdvanTEK®	5.38	10067204	10040477	10040478



# THE ULTIMATE



## The Ultimate Dana 60<sup>®</sup> Axles for the Jeep<sup>®</sup> Gladiator JT

Upgrading your JT to larger tires for heavy-duty off-road action demands the strength and durability of Ultimate Dana 60<sup>®</sup> front and rear axles. Contact your Spicer Parts representative to learn more today!



Raised track bar mounting location



Warn<sup>®</sup> 35 spline hub locks

High mount steering arm



Massive SPL<sup>®</sup>-70 axle shaft u-joints

Heavy-duty 8 x 6.5" wheel bolt pattern 9/16-18 thread



35 spline SAE-4340 nickel chromoly steel axle shafts



High-strength, heavy gauge brackets

Axle tubes: 3 1/2" outside diameter / .370" wall thickness



Spicer<sup>®</sup> 10" (256 mm) ring and pinion gear inside

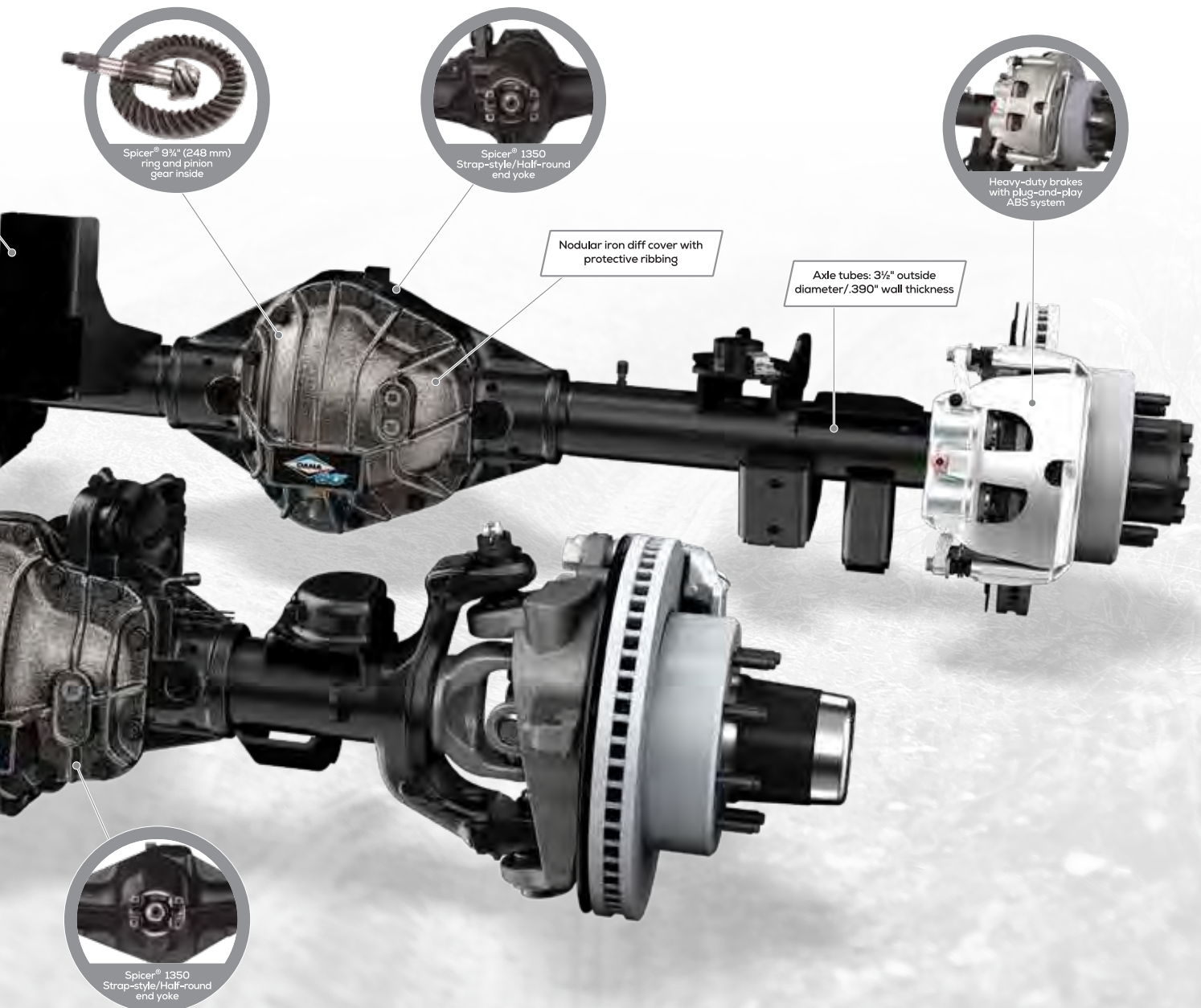


Ribbed housing to avoid hang-ups



## The Ultimate Dana 60® Crate Axle (Bolt In Axle Assy. for 2020 Gladiator JT)

Application	Front Axle Part #	Rear Axle Part #
2020 and Newer Gladiator JT - 3.73 Ratio with Eaton ELocker®	10056042	10128131
2020 and Newer Gladiator JT - 4.10 Ratio with Eaton ELocker®	10056043	10128129
2020 and Newer Gladiator JT - 4.88 Ratio with Eaton ELocker®	10056032	10128143
2020 and Newer Gladiator JT - 5.38 Ratio with Eaton ELocker®	10056030	10128137
2020 and Newer Gladiator JT - 4.88 Ratio with ARB® Air Locker®	10088914	10128141
2020 and Newer Gladiator JT - 5.38 Ratio with ARB® Air Locker®	10088915	10128139

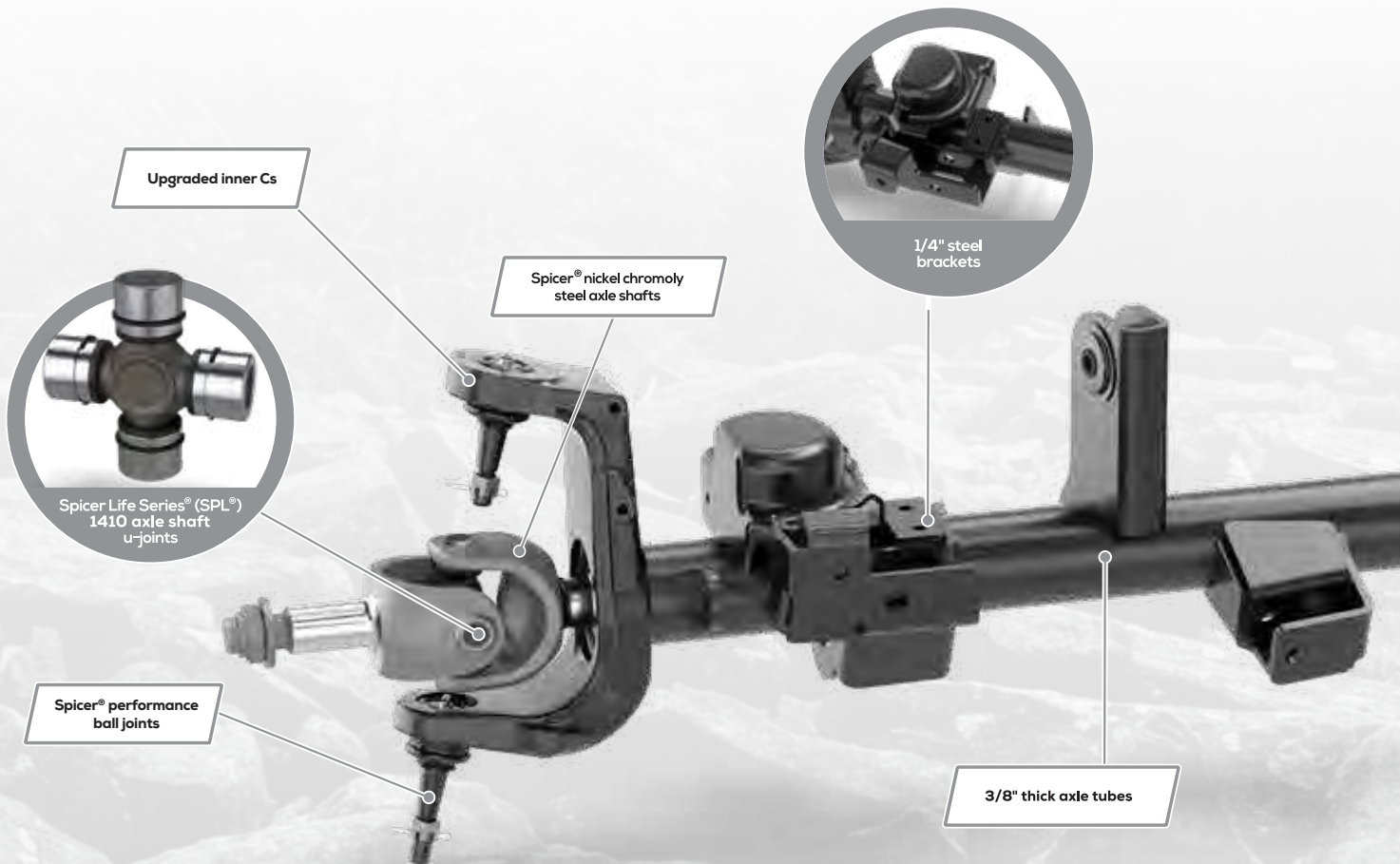


THE  
**ULTIMATE**



**The Ultimate Dana 44™ AdvanTEK® Axles for the Jeep Gladiator JT**

Freedom to go where you want and the confidence that you'll be ready for the next adventure: that's what you get with the Ultimate Dana 44™ AdvanTEK® axle for the Jeep Gladiator JT. Dana's exclusive AdvanTEK® gear technology provides greater power density and fuel efficiency than similar offerings, while reducing driveline weight. To learn more about the aftermarket axle that's manufactured to OE specs, visit [SpicerParts.com/Jeep-JT](http://SpicerParts.com/Jeep-JT) now.



# The Ultimate Dana 44™ AdvanTEK® Front Crate Axles (Bolt In Axle Assy. for JT)

Application	Front Axle Part #
2020 and Newer Jeep Gladiator JT - 5.38 Ratio with Electric Locker	10047719
2020 and Newer Jeep Gladiator JT - 5.13 Ratio with Electric Locker	10047718
2020 and Newer Jeep Gladiator JT - 4.88 Ratio with Electric Locker	10047717
2020 and Newer Jeep Gladiator JT - 4.56 Ratio with Electric Locker	10047716
2020 and Newer Jeep Gladiator JT - 4.10 Ratio with Electric Locker	10047715



THE  
**ULTIMATE**  
**DANA**  
**60**<sup>®</sup>



## The Ultimate Dana 60<sup>®</sup> Axles for the Jeep Wrangler JL

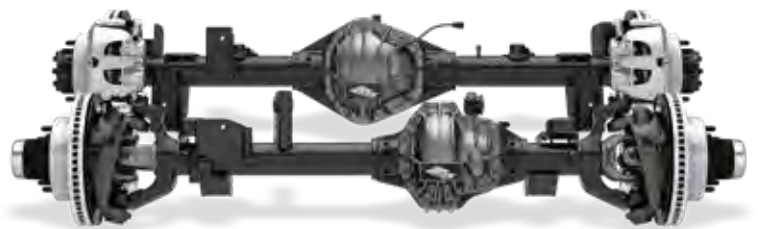
The Ultimate Dana 60<sup>®</sup> axle features Spicer<sup>®</sup> 35 spline SAE-4340 nickel chromoly steel axle shafts to help meet the rigors of off-road, providing maximum strength for vehicles with larger tires. Engineered to ensure optimal durability, the full-float design lets you enjoy greater load-carrying ability wherever your Jeep JL takes you.

### The Ultimate Dana 60<sup>®</sup> Crate Axle (Bolt In Axle Assy. for Wrangler JL)

Application	Front Axle Part #	Rear Axle Part #
2018 and Newer Wrangler JL - 3.73 Ratio with Eaton ELocker <sup>®</sup>	10056042	10048757
2018 and Newer Wrangler JL - 4.10 Ratio with Eaton ELocker <sup>®</sup>	10056043	10048758
2018 and Newer Wrangler JL - 4.88 Ratio with Eaton ELocker <sup>®</sup>	10056032	10048764
2018 and Newer Wrangler JL - 5.38 Ratio with Eaton ELocker <sup>®</sup>	10056030	10048784
2018 and Newer Wrangler JL - 4.88 Ratio with ARB <sup>®</sup> Air Locker <sup>®</sup>	10088914	10088916
2018 and Newer Wrangler JL - 5.38 Ratio with ARB <sup>®</sup> Air Locker <sup>®</sup>	10088915	10088918

## The Ultimate Dana 60<sup>®</sup> Axles for the Jeep JK

When Jeep owners modify their axles for even better performance over rocks, across sand, and through mud, Dana takes notice. Engineered to be a direct-fit, bolt-in solution for the Jeep JK, the Ultimate Dana 60<sup>®</sup> axle incorporates many of these modifications and innovations, so you get premium performance right from the start.



### The Ultimate Dana 60<sup>®</sup> Crate Axle (Bolt In Axle Assy. for Wrangler JK)

Application	Front Axle Part #	Rear Axle Part #
2007-2018 Wrangler JK - 3.73 Ratio with Eaton ELocker <sup>®</sup>	10034267	10034269
2007-2018 Wrangler JK - 4.10 Ratio with Eaton ELocker <sup>®</sup>	10034268	10034270
2007-2018 Wrangler JK - 4.88 Ratio with Eaton ELocker <sup>®</sup>	10005778	2023612-1
2007-2018 Wrangler JK - 4.88 Ratio with ARB <sup>®</sup> Air Locker <sup>®</sup>	10033062	10032016
2007-2018 Wrangler JK - 5.38 Ratio with Eaton ELocker <sup>®</sup>	10005777	10005942
2007-2018 Wrangler JK - 5.38 Ratio with ARB <sup>®</sup> Air Locker <sup>®</sup>	10033061	10032017

# THE ULTIMATE



## The Ultimate Dana 44™ AdvanTEK® Axles for the Jeep® JL

Strength. Versatility. Bolt-in convenience. A rock-solid history. It all comes together in the Ultimate Dana 44™ AdvanTEK® front axle for the Jeep Wrangler JL. Dana takes their exclusive AdvanTEK® gear technology to the next level, with features like custom high-clearance housing that are designed to optimize extreme off-road performance.

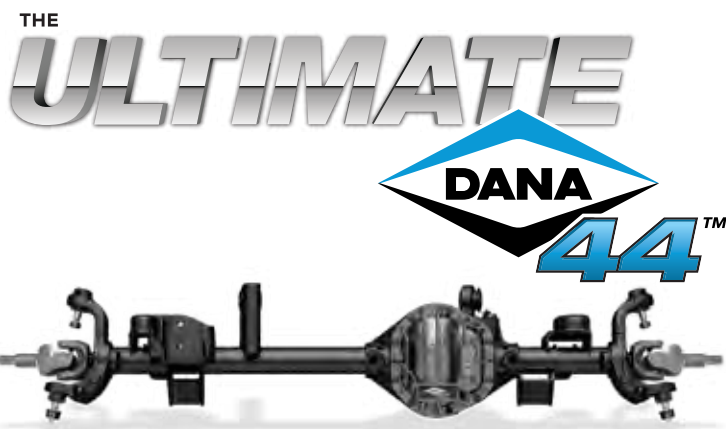


### The Ultimate Dana 44™ AdvanTEK® Front Crate Axles (Bolt In Axle Assy. for JL)

Application	Front Axle Part #
2018 and Newer Jeep Wrangler JL - 5.38 Ratio with Electric Locker	10047719
2018 and Newer Jeep Wrangler JL - 5.13 Ratio with Electric Locker	10047718
2018 and Newer Jeep Wrangler JL - 4.88 Ratio with Electric Locker	10047717
2018 and Newer Jeep Wrangler JL - 4.56 Ratio with Electric Locker	10047716
2018 and Newer Jeep Wrangler JL - 4.10 Ratio with Electric Locker	10047715

## The Ultimate Dana 44™ Axles for the Jeep® JK

The Ultimate Dana 44™ axle is a direct bolt-in solution that delivers optimal strength, durability, and performance. Featuring a number of upgrades for added on-trail durability, plus added strength wherever you take your Jeep JK, the Ultimate Dana 44™ axle is built to meet the demands of serious off-road enthusiasts.



### The Ultimate Dana 44™ Front Crate Axles (Bolt In Axle Assy. for JK)

Application	Front Axle Part #
2007-2018 Wrangler JK - 3.73 Ratio with Electric Locker	10010519
2007-2018 Wrangler JK - 3.73 Ratio with Std. Diff	10032861
2007-2018 Wrangler JK - 3.73 Ratio with ARB® Air Locker®	10048820
2007-2018 Wrangler JK - 4.10 Ratio with Electric Locker	10010455
2007-2018 Wrangler JK - 4.10 Ratio with Std. Diff	10032862
2007-2018 Wrangler JK - 4.10 Ratio with ARB® Air Locker®	10048821
2007-2018 Wrangler JK - 4.56 Ratio with Electric Locker	10010520
2007-2018 Wrangler JK - 4.56 Ratio with Std. Diff	10032863
2007-2018 Wrangler JK - 4.56 Ratio with ARB® Air Locker®	10048822
2007-2018 Wrangler JK - 4.88 Ratio with Electric Locker	10010521
2007-2018 Wrangler JK - 4.88 Ratio with Std. Diff	10032864
2007-2018 Wrangler JK - 4.88 Ratio with ARB® Air Locker®	10048823
2007-2018 Wrangler JK - 5.13 Ratio with Electric Locker	10010522
2007-2018 Wrangler JK - 5.13 Ratio with Std. Diff	10032865
2007-2018 Wrangler JK - 5.13 Ratio with ARB® Air Locker®	10048824
2007-2018 Wrangler JK - 5.38 Ratio with Electric Locker	10010742
2007-2018 Wrangler JK - 5.38 Ratio with Std. Diff	10032866
2007-2018 Wrangler JK - 5.38 Ratio with ARB® Air Locker®	10048825

# Spicer® Driveshafts for Improved Strength!

## **NEW!** Two-Piece 1350 Series Rear Driveshaft with CV Joints for the Jeep® Gladiator JT

The new two-piece Spicer® 1350 series driveshaft for the Jeep Gladiator JT is engineered as a direct bolt-in solution for increased strength. Featuring several upgrades designed for added durability on the trail, this driveshaft includes 3" DOM tubing. Dana gives you everything you need for the upgrade, including a center bearing drop bracket kit designed to accommodate lifted vehicles.

- **100% bolt-in direct fit**
  - All hardware included, no adapter flange or new yokes needed
  - High angle flange yoke at the axle
- **Service free means more driving and less maintenance**
  - Lubed-for-life SPL® 1350 series u-joint
  - Permanently sealed high temperature CV boots
  - Dana-designed CV joint with high performance HNBR boot
- **Two-piece design**
  - Allows for smaller OD, yet high strength 3x0.083 DOM tubing
  - Allows for best possible break over angle
  - Ensures no critical speed issues



### Spicer 1350 Heavy Duty Rear Driveshaft for Jeep Gladiator JT with Ultimate Dana 60® axles

Application	Position	Part #	Length - Collapsed/Extended (Inches)
Jeep Gladiator JT (UD60JT)	Rear	10132306	60.3 / 66.6

### Spicer 1350 Performance Rear Driveshaft for Jeep Gladiator JT with Dana 44™ AdvanTEK® axles

Application	Position	Part #	Length - Collapsed/Extended (Inches)
Jeep Gladiator JT with Dana 44™ AdvanTEK®	Rear	10132305	62.5 / 68.7

# Spicer® 1350 Series Front Driveshaft for the Jeep®

Built from high-quality steel to deliver the ruggedness and durability you're already getting in the axles in your Jeep, 1350 series driveshafts are engineered for applications that require high horsepower and torque.

- **Maintenance-free SPL® 1350 Series double cardan**

- Lubed-for-life high performance SPL 1350 series u-joint
- Non-greaseable lubed-for-life double cardan centering package
- Improved lube retention and resistance to contaminants
- No loss of operating angle potential

- **High strength tubing**

- Smaller diameter 2x0.120 DOM front shafts allow for improved clearance
- 3x0.083 DOM rear shafts ensure no critical speed issues

- **Slip member**

- Front shafts feature strong 1.375" spline with a re-lube zerk in the seal
- Rear shafts feature 1.5" spline with a re-lube zerk in the slip yoke
- Lubed-for-life high performance SPL 1350 series u-joint at end of each slip yoke



**Transfer case yoke and hardware for easy installation**

For our complete part number listing, visit [DanaAftermarket.com](http://DanaAftermarket.com).

# Spicer® 1310 Series Front Driveshaft for the Jeep®

This driveshaft features a smaller diameter, which will not interfere with the Jeep exhaust. In addition, you will enjoy the following advantages:

- **Thicker tube than original equipment part**

- 50% thicker than OE shaft
- Delivers added strength

- **One-piece flange**

- Prevents run-out
- Eliminates need for an adapter
- Bolts to the stock Jeep axle

- **Optimized for a 0" - 6" lift**

- Ideal for larger tires
- Offers improved ground clearance



**Direct-fit bolt-in flange**

For our complete part number listing, visit [DanaAftermarket.com](http://DanaAftermarket.com).

# Spicer® U-Joints Outperform the Competition!

## **NEW!** Spicer Life Series® Plus U-Joints

### Upgraded Materials Take the Best U-Joint on the Market to the Next Level.

Spicer is always working to incorporate the latest advancements in u-joint material and design, so we can deliver reliable products for customers who demand the best. Global manufacturers already recognize SPL® u-joints as a benchmark in quality. We took this trusted OE product and enhanced the grease, then improved the seal, spacer, and seal guard materials, to create u-joints with unrivaled performance and longevity: Spicer Life Series Plus u-joints.

Exhaust systems on today's vehicles are often placed closer to the driveline, creating greater stress on driveline components due to greater temperature fluctuations. SPL® Plus u-joints offer increased maximum temperature capabilities to provide improved bearing life and overall durability.

#### Extended U-Joint Life

- Journal cross engineered with a cold-formed body to ensure better wear and overall strength

#### Enhanced with Synthetic Grease

- The red Spicer Life Series ultra-premium grease of SPL u-joints is replaced with upgraded green synthetic grease
- Significantly improves minimum and maximum temperature capabilities
- Increased bearing life

#### Enhanced Spacer Material

#### Bearing Cups

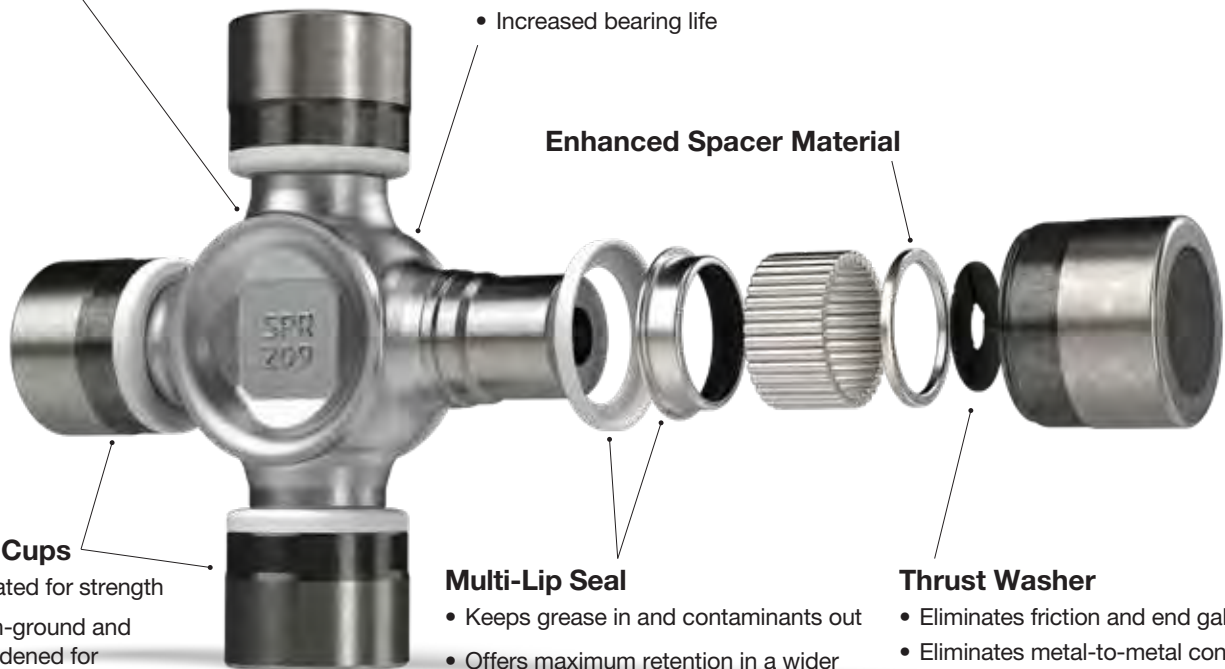
- Heat-treated for strength
- Precision-ground and case-hardened for durability

#### Multi-Lip Seal

- Keeps grease in and contaminants out
- Offers maximum retention in a wider range of environments
- Enhanced seal and seal guard material

#### Thrust Washer

- Eliminates friction and end galling
- Eliminates metal-to-metal contact

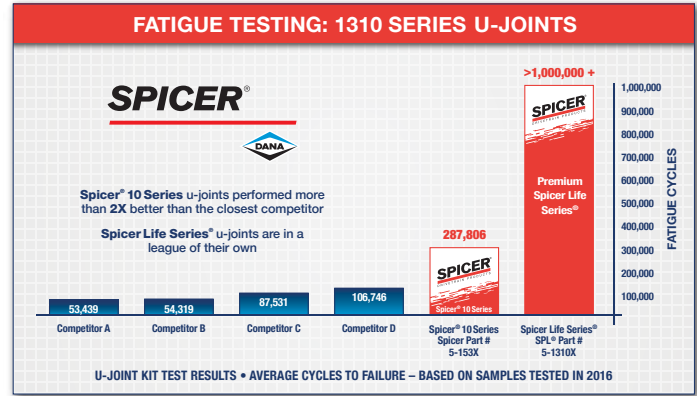


Description	Spicer Part #
SPL® Plus Series (1350 non-greaseable)	5-1350XP
SPL® Plus Series (1410 non-greaseable)	5-1410XP
SPL® Plus Series (1480/SPL55 non-greaseable)	SPL55XP



## Premium Spicer Life Series® U-Joints: Built for the Long Haul.

Spicer Life Series® u-joints are head and shoulders above the rest. Cold-forged from high-quality steel, SPL® u-joints deliver the strength and durability that today's performance vehicles demand. When you're looking for a longer life for your light-duty driveshaft, look to SPL u-joints.



### Journal Cross

Engineered with a cold-formed body to ensure better wear and overall strength.

### Thrust Washers

Friction and heat can cause premature failure. The Spicer thrust washer eliminates metal-to-metal contact/friction, prevents wear, and lowers the overall operating temperature.

### Bearing Cups

Heat-treated for strength; precision-ground and case-hardened for durability.

### Premium Multi-Lip Sealing Package

Premium sealing package includes a multi-lip seal, seal guard, and a needle bearing spacer. Keeping the grease in and contaminants out is the key to maximizing u-joint bearing life.

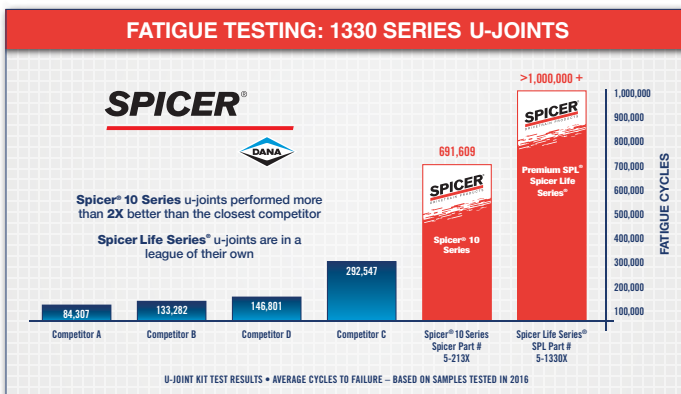
### Seal Guard

High-impact material for optimal first-level protection against contaminants.

Spicer Life Series® u-joints are available in greaseable and lubed-for-life/non-greaseable options. See chart on page 19 for popular sizes and part numbers, and for our complete part number listing, visit [DanaAftermarket.com](http://DanaAftermarket.com).

## Spicer® 10 Series U-Joints, from the Most Trusted Name in Drivelines.

Spicer® 10 Series u-joints are manufactured using statistically controlled processes to ensure the same high-quality part every time. Zerks on both sides allow for thorough lubrication to maximize part life, and a steel journal cross ensures optimal strength and durability. For our complete part number listing, visit [DanaAftermarket.com](http://DanaAftermarket.com).



### Zerks

Allow for relubricating at regular intervals to help extend the life of the part.

### Seal and Bearings

The process of precision grinding the seal and bearing surfaces helps to improve the life of the seal and bearing.

### Journal Cross

Forged with high-quality steel, precision heat-treating and case-hardening to very specific levels, ensuring optimal and consistent strength and durability.

### Bearing Cups

Heat-treated for strength; precision-ground and case-hardened for durability.

See chart on page 19 for popular sizes and part numbers.

## Spicer® Blue-Coated Performance U-Joints

We made Spicer u-joints for Dana axle shafts even tougher by covering them with a high-performance, high-durability blue coating. Tests results prove that these coated u-joints stand up to the corrosive effects of the elements better than the competitor's uncoated product.

Spicer U-Joint	Blue U-Joint Equivalent
5-760X	5-760XC
5-7166X	SPL30-7166XC
5-1350X	SPL30-1350XC
SPL55-3X	SPL55-1480XC
SPL70-3X	SPL70-1550XC



## Available for Off-Road Use Only: Spicer® Extreme™ U-Joints

Ask your Spicer Performance Rep about super strong, super durable Spicer Extreme u-joints, meant for off-road use and slower speeds. Featuring an SAE-4340 nickel chromoly steel cross with an enlarged trunnion diameter for added strength, these u-joints are virtually indestructible.

See chart on next page for popular sizes and part numbers.

## Spicer Life Series® Driveshaft Performance Packs

SPL® driveshaft performance packs have everything for a complete u-joint change-out—with just one part number to order. No matter what you throw at your vehicle, trust non-greaseable SPL u-joints with the multi-lip seal for premium performance.



Application	Spicer Part #
2007-11 JK w/ Aftermarket 1310 Driveshafts with CV Front Driveshaft	SPL1014JK
2007-11 JK w/ Aftermarket 1350 Driveshafts with CV Front Driveshaft	SPL1029JK
2012-18 JK w/ Aftermarket 1310 Driveshafts with CV Front Driveshaft	SPL1028JK
2012-18 JK w/ Aftermarket 1350 Driveshafts with CV Front Driveshaft	SPL1030JK

# Spicer® U-Joint Cross Reference Chart

Spicer makes it easy to find exactly the right u-joint you need for your application. When it's time to replace a u-joint due to vehicle maintenance or performance upgrades, use the chart below to identify which u-joint best fits your requirements for load capacity and solid-body versus greaseable.

Driveshaft Series	Spicer® 10 Series (Greaseable unless noted)	Spicer Life Series® (Greaseable)	Spicer Life Series® (Non-Greaseable)	Spicer Life Series® Blue U-Joints	Spicer® Extreme™ U-Joints
1210	5-443X	-	-	-	-
1310	5-153X	5-1310-1X**	5-1310X	-	-
1310 aluminum	-	-	5-3613X†	-	-
1310/7260*	-	-	5-788X	-	-
1310 (Wheel Joint)	-	-	5-760X	5-760XC	5-760SPX-WJ
1310SPEC	5-1201X	-	5-7439X	-	-
1330	5-213X	5-1330-1X**	5-1330X	-	-
1330 aluminum	-	-	5-3614X†	-	-
1330SPEC	5-1204X	-	5-7438X	-	-
1330/S44*	5-212X	-	5-793X	-	-
1330/7290*	-	-	5-7437X	-	-
1350	5-178X	5-1350-1X**	5-1350X	SPL30-1350XC	-
1350 (Wheel Joint)*	-	-	5-7166X	SPL30-7166XC	-
1350/SPL30 aluminum	-	-	5-3615X†	-	-
1350 x S44*	5-3205X	-	-	-	-
1355 AAM*	5-3208X ***	-	-	-	-
1410	5-160X	5-1410-1X**	5-1410X	-	-
1410 aluminum	-	-	5-3616X†	-	-
1415 AAM*	5-3207X***	-	-	-	-
1480/SPL55	5-188X	SPL55-1X	SPL55X	-	-
1480/SPL55 (Wheel Joint)*	-	SPL55-4X	SPL55-3X	SPL55-1480XC	5-1480SPX-WJ
1485 AAM*	5-3206X***	-	-	-	-
1485 AAM (Wheel Joint)*	-	-	5006813	-	-
1550/SPL70	5-155X	SPL70-1X	SPL70X	-	-
SPL70 (Wheel Joint)*	-	SPL70-4X	-	SPL70-1550XC	-
7260*	5-1306X	-	5-789X	-	-
7290*	5-1309X	-	5-811X	-	-
S44*	5-3147X	-	5-795X	-	-

\* Wheel joint or non-Spicer series; will not be on yoke ruler. Identify u-joint kit using Spicer K-350 Catalog. \*\* Zerk in cap \*\*\*Non-Greaseable

† Used in aluminum driveshafts. U-joint has coated caps.

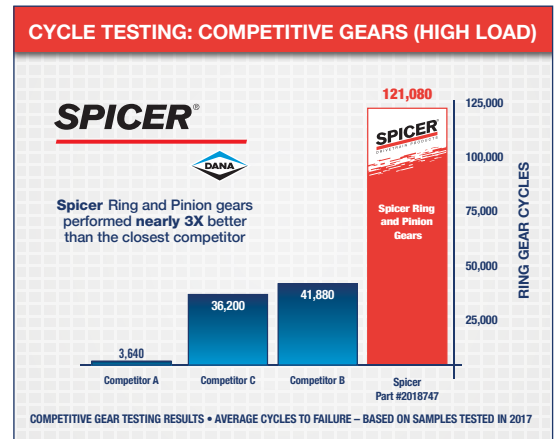
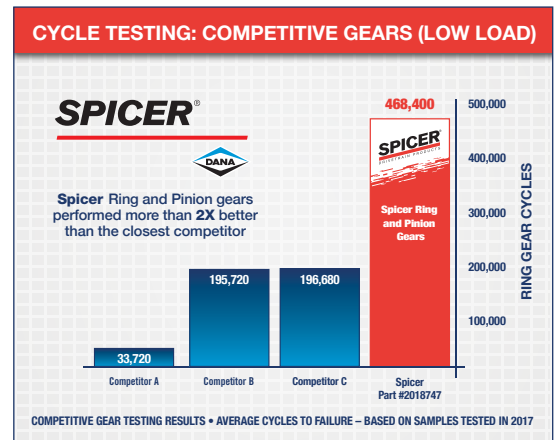
# Spicer® Ring and Pinion Gearing: Where Process meets Performance!



  
**Made in USA**

## Get the Most out of Your Spicer® Gearing.

Spicer employs a battery of statistically controlled processes throughout the manufacturing of our ring and pinion gearing—from heat treatment that delivers optimal hardness, to face hobbing for ideal accuracy of gear tooth spacing, to shot peening that helps ensure maximum strength and life. Spicer gearing is engineered for a perfect fit with less noise, vibration and harshness, and offers up to double the lifespan of non-genuine parts! Visit [SpicerParts.com](http://SpicerParts.com) for more information.



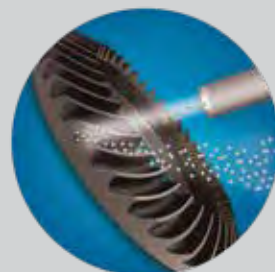
For our complete part number listing, visit [DanaAftermarket.com](http://DanaAftermarket.com).



Heat Treatment



Face Hobbing



Shot Peening



Lapping

# Spicer® AdvanTEK® Gearing for the Wrangler JL and Gladiator JT

Every Jeep Wrangler JL and Jeep Gladiator JT vehicle is now offered with exclusive Dana AdvanTEK® technology, right off the line. Only Dana delivers the technology and performance of AdvanTEK® gearing, available for the Dana 35™ and Dana 44™. Enjoy reduced driveline weight while getting greater power density and fuel efficiency than similar offerings—visit [SpicerParts.com](http://SpicerParts.com) to learn more!

**SPICER®**

**AdvanTEK®**  
PERFORMANCE GEARING



## Differential Bearing Rebuild Kits

	Differential Bearing Rebuild Kits				
	Front Axle	Ratio	Spicer Part #	Install Kit Part #	Master Kit Part #
Rubicon, Select Sport, Sahara or Gladiator Models	Dana 44™ AdvanTEK®	3.73	10046055	10040468	10040469
	Dana 44™ AdvanTEK®	4.10	10048087	10040468	10040469
	Dana 44™ AdvanTEK®	4.56	10050939	10040468	10040469
	Dana 44™ AdvanTEK®	4.88	10051746	10040468	10040469
	Dana 44™ AdvanTEK®	5.13	10051004	10040468	10040469
	Dana 44™ AdvanTEK®	5.38	10050979	10040468	10040469
	Rear Axle	Ratio	Spicer Part #	Install Kit Part #	Master Kit Part #
	Dana 44™ AdvanTEK®	3.43	10062926	10040477	10040478
	Dana 44™ AdvanTEK®	3.73	10062017	10040477	10040478
	Dana 44™ AdvanTEK®	4.10	10062033	10040477	10040478
	Dana 44™ AdvanTEK®	4.56	10067141	10040477	10040478
	Dana 44™ AdvanTEK®	4.88	10073110	10040477	10040478
Dana 44™ AdvanTEK®	5.13	10067157	10040477	10040478	
Dana 44™ AdvanTEK®	5.38	10067204	10040477	10040478	
Base Sport or Sahara Models	Front Axle	Ratio	Spicer Part #	Install Kit Part #	Master Kit Part #
	Dana 30™	3.45	10006253	10040312	10040313
	Dana 30™	4.10	2005027-5*	10040312	10040313
	Dana 30™	4.56	10026645	10040312	10040313
	Dana 30™	4.88	10026639	10040312	10040313
	Dana 30™	5.13	10026642	10040312	10040313
	Front Axle	Ratio	Spicer Part #	Install Kit Part #	Master Kit Part #
	Dana 35™ AdvanTEK®	3.45	10060460	10040451	10040452
	Dana 35™ AdvanTEK®	4.10	10095819	10040451	10040452
	Dana 35™ AdvanTEK®	4.56	10067221	10040451	10040452
	Dana 35™ AdvanTEK®	4.88	10067231	10040451	10040452
	Dana 35™ AdvanTEK®	5.13	10067244	10040451	10040452

## High-Performance Axles with Enhanced Efficiency

Only genuine Spicer® AdvanTEK® ring and pinion gears for Dana AdvanTEK® axles give Jeep enthusiasts the ability to handle even the most extreme off-road conditions.

- The Spicer® gearing used in today's Dana 44™ axles have a 226mm ring gear size.
- The Spicer® gearing used in today's Dana 44™ AdvanTEK® axles have a smaller, more durable 220mm ring gear.



# Helpful Tools and Resources from Spicer®

## Spicer® Ultra-Premium Synthetic Grease

Spicer products are manufactured to original equipment specifications, and Spicer ultra-premium synthetic grease is specifically engineered to complement Spicer universal joints. Compatible with all NLGI-2 greases, Spicer® ultra-premium synthetic grease delivers professional-grade quality—even at high temperatures. For more information, please visit [SpicerParts.com/Grease](http://SpicerParts.com/Grease).



**MORE THAN  
30%  
INCREASE IN  
BEARING LIFE\***

\*Lab test results conducted at specific load, speed, and angle.

Description	Spicer Part #
14-Ounce Tube	SPL® 1051
1-Gallon Tub	SPL® 1052

## Measurement Tools

From online calculators to countertop u-joint measuring mats to the Spicer® Yoke Ruler, Spicer has the tools you need to work efficiently and get the repair or upgrade done right the first time. Ask a Spicer Parts Representative how you can access our wide range of accurate, helpful measurement tools.



## Online Resources to Help You Grow Your Business

Dana provides more than quality parts—we also provide ways for customers to grow their businesses and their knowledge. We offer free, online training courses through the Dana Training Academy; our streamlined ecommerce platform [DanaAftermarket.com](http://DanaAftermarket.com); how-to videos; content-rich websites; engaging social media; and much more. Visit [SpicerParts.com](http://SpicerParts.com) to start exploring now!



**For more information on these resources or Spicer driveline products, contact your sales representative or visit [SpicerParts.com](http://SpicerParts.com).**

AMC Model 20.....	4	Dana 61™.....	37
Chrysler 7.25" Rear.....	4	Dana 70™.....	38
Chrysler 8.25" Rear.....	5	Dana 80™.....	40
Chrysler 8.75".....	5	Dana 205 Front Nissan.....	41
Chrysler 9.25" Front (American Axle).....	6	Ford 7.5".....	42
Chrysler 9.25" Rear.....	6	Ford 8.0".....	42
Chrysler 11.5" AAM.....	7	Ford 8.8".....	43
Dana 30™ Std. Rotation (181 MM).....	8	Ford 8.8" Reverse Front.....	44
Dana 30™ Reverse Rotation (181 MM).....	9	Ford 9".....	45
Dana 30™ TJ/XJ/ZJ/WJ Front (181 MM) Short Pinion.....	11	Ford 9.75".....	46
Dana Super 30™ JK Front (186MM).....	12	Ford 10.25"/10.5".....	47
Dana Super 30™ JL Front (186MM).....	14	GM 55 Passenger Cars (1955-1964).....	47
Dana 35™ Rear (194MM).....	15	GM 7.5" / 7.6".....	48
Dana 35™ AdvanTEK Rear (200MM).....	17	GM 8.2" 10 Bolt.....	49
Dana 44™ (216MM).....	18	GM 8.25" IFS.....	49
Dana 44™ JK Front (216MM).....	21	GM 8.5" & GM 8.6" 10 Bolt.....	50
Dana 44™ AdvanTEK JL Front (210MM).....	22	GM 8.875" 12 Bolt Car.....	52
Dana 44™ AdvanTEK Rear JL (220MM).....	24	GM 8.875" 12 Bolt Truck.....	53
Dana Super 44™ JK Rear (226MM).....	25	GM 9.25" IFS Front (2010 & Down).....	53
Dana 44™ Reverse Rotation Front (216MM).....	26	GM 9.5" Rear.....	54
Dana 44™ Rear (WK/WJ/XK).....	27	GM 10.5" 14 Bolt.....	55
Ultimate Dana 44™ JK.....	28	GM 11.5" AAM.....	56
Dana 44™ Nissan.....	30	Toyota 7.5" Standard Rotation.....	56
Dana 50™.....	30	Toyota 8" 4 Cyl.....	57
Dana 60™ Std. Rotation.....	31	Toyota V6 Truck & Tacoma w/ OEM Locking Diff.....	57
Dana 60™ Reverse Rotation.....	34	Toyota T100 & Tacoma w/o OEM Locking Diff.....	58
The Ultimate Dana 60™ - JK.....	36	Toyota 9.5" Landcruiser Standard Rotation.....	58

**DISCLAIMER**

WHILE EVERY EFFORT HAS BEEN MADE TO PROVIDE ACCURATE INFORMATION, NO GUARANTEE IS IMPOSED OR IMPLIED AS TO THE ACCURACY OF THE INFORMATION PROVIDED IN THIS PUBLICATION. DANA LIMITED IS NOT RESPONSIBLE FOR TYPOGRAPHICAL OR PICTORAL ERRORS. NO REPRESENTATION IS MADE IN REGARD TO THE SOURCE OF MANUFACTURE OF ANY SPECIFIC COMPONENT. COMPONENTS LISTED IN THIS PUBLICATION ARE NOT NECESSARILY MANUFACTURED BY THE ORIGINAL EQUIPMENT MANUFACTURER. ACTUAL PRODUCTS SUPPLIED MAY VARY. IF YOU HAVE QUESTIONS, PLEASE CONTACT US AT 1-800-621-8084 DURING REGULAR BUSINESS HOURS. WE WILL MAKE EVERY EFFORT TO PROVIDE YOU THE MOST ACCURATE, UP-TO-DATE INFORMATION; HOWEVER, IT IS ULTIMATELY YOUR RESPONSIBILITY, AS A USER, TO VERIFY THAT ALL DETAILS LISTED ARE ACCURATE.

**TRADEMARKS**

REFERENCE TO COMPONENT NUMBERS OR TRADEMARKS OF OTHER COMPANIES ARE INTENDED ONLY FOR CROSS REFERENCE INFORMATIONAL PURPOSES. TRADEMARKS OF OTHER COMPANIES REFERRED TO IN THIS PUBLICATION (CHRYSLER®, FORD®, GM®, TOYOTA®), ARE SOLE PROPERTY OF THEIR RESPECTIVE ORGANIZATIONS AND ARE NOT AFFILIATED IN ANY WAY WITH DANA LIMITED®. DRAWINGS ARE PROVIDED FOR ILLUSTRATIVE PURPOSES ONLY.

©2017, DANA LIMITED. ALL RIGHTS RESERVED.

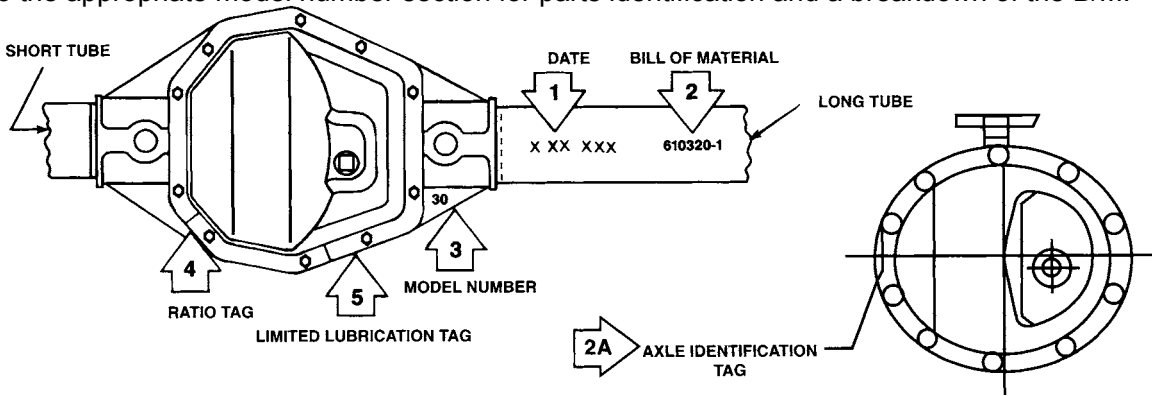
**How to Identify a Spicer® Axle**

All Spicer® Carrier Type axles are identified with a manufacturing date (1) and Bill of Material number (2) stamped on the right or left hand tube on driving axles. The Bill of Material (B/M) number may also be found on the carrier in some models as shown in illustration (2A). For independent front suspension (IFS) axles, the B/M number may be located at one of three locations: 1) A vertically positioned tag near the center of the right-hand side support arm, 2) stamped into the left-hand side support arm (opposite end of the camber adjuster), or 3) stamped into the “nose end” of the axle carrier. The location of the information will depend on the manufacturing date of the axle.

The axle model number will be cast into one of the webs as shown (3), or it can be on the nose.

Each axle contains a gear ratio tag (4), and if the axle is equipped with a limited slip differential, it will have a tag specifying the type of limited slip lubricant to be used (5).

Refer to the appropriate model number section for parts identification and a breakdown of the B/M.



**How to Change Gear Ratios**

To increase or decrease a gear ratio, there are certain steps that must be taken. The differential case depends upon the ratio desired. For each axle model, there is a high-ratio and a low-ratio case as illustrated below:

Axle Model	High Ratio Case	Low Ratio Case	High Ratio Case	Axle Model	Low Ratio Case	
Model 27	3.73 and Down	3.92 and Up	Model 50	4.10 and Down	—	
Model 28	3.45 and Down	3.73 and Up	Model 60	4.10 and Down	4.56 and Up	
Model 28 IFS Aerostar	2.27, 3.73	—	Model 61	Semi Float	3.00 and 3.07 only	
Model 30	3.55 and Down	3.73 and Up	Model 61	Full Float	3.31 and Down	3.54 and Up
Model 35	2.35 only	—	Model 70	4.10 and Down	4.56 and Up	
Model 35	2.73 - 3.31	3.54 and Up	Model 70-3HD	3.42 and Down	3.73 and Up	
Model 36 ICA	2.73 and Down	3.07 and Up	—			
Model 44	3.73 and Down	3.92 and Up	Model 80	3.73 and Down	4.10 and Up	
Model 44 ICA	Model 70-2UA	3.07 Only				
1984 & earlier	3.73 and Down	3.92 and Up				
Model 44 ICA						
1985 & later	2.87 and Down	3.07 and Up				

**Example** - If you have a Model 44 Rear Axle with a 3.54 ratio and wish to change to a 3.73 ratio, you change only the ring gear and pinion assembly. If you change the ratio to a 4.09, you must change to a high-ratio case in addition to changing the ring gear and pinion. The application section will show you what case to use. When the vehicle is equipped with both front and rear driving axles, the gear ratios must be the same in both axles. **The drive gear screws are self-locking and must be replaced with new screws each time that they are removed.**



**How Limited Slip Differentials Operate**

A conventional differential transmits all the ring gear torque through the differential gears to the axle shafts. Torque is at all times equal on the axle shafts, and if one wheel slips, the other wheel can only put out as much torque as the slipping wheel.

The Spicer® Limited Slip differential has the same power flow as a conventional differential, plus a more direct flow which automatically takes effect as driving conditions demand. This more direct power flow is from the differential case to each axle shaft through a clutch plate and disc arrangement.

Arrangement of these plates and discs is at the option of the vehicle manufacturer, so care should be taken during disassembly to note the arrangement of these components.

The Limited Slip construction permits differential action when required for turning corners and transmits equal torque to both wheels when driving straight ahead. However, when one wheel tries to spin due to leaving the ground, a patch of ice, etc., the clutch packs automatically provide more torque to the wheel which is not trying to spin.

The Limited Slip differential resists wheel spin on bumpy roads and provides more pulling power when one wheel tries to slip. In many cases of differences in traction, pulling power will be automatically provided until both wheels start to slip.

In diagnosis of vehicle operators' complaints, it is important to recognize two things.

1. If, with unequal traction, both wheels slip, the Limited Slip Differential has done all it can possibly do.
2. In extreme cases of differences in traction, the wheel with the least traction may spin after the Limited Slip has transferred as much torque as possible to the non-slipping wheel.

**How to Distinguish a Powr-Lok™ from a Trac-Lok™**

All Models **except Models 70/267 and 80/286**: The Powr-Lok™ design is identified by its 2-piece case. The Trac-Lok™ design is identified by its 1-piece case.

**Models 70/267 and 80/286 only**: Both the Powr-Lok and the Trac-Lok use 2-piece cases in the model 70/267 and 80/286 axle. The difference between the two is in the shape of the holes for the cross shaft. The Powr-Lok case will have cross shaft holes that are "U" shaped in one case half and "V" shaped in the other case half. The Trac-Lok case will have cross shaft holes that are semicircles in both case halves.

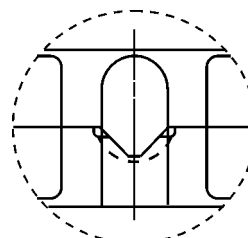
**Model 80/286 only**: It is also possible to replace an existing Powr-Lok unit with a complete Trac-Lok unit. For this purpose, the differential case assembly must be replaced.



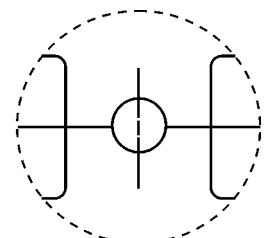
**POWR-LOK™**  
 2-Piece Case  
 4 Pinion Mate Gears



**TRAC-LOK™**  
 1 or 2-Piece Case  
 2 or 4 Pinion Mate Gears



**Cross shaft view  
 of a Model 80  
 Power Lok case**



**Cross shaft view  
 of a Model 80  
 Trak Lok case**

**AMC Model 20**

Applications		
Year	Make	Model
1968-1970	AMC	AMX
1978-1979	AMC	Concord
1970-1977	AMC	Hornet
1967-1974	AMC	Javelin
1971-1978	AMC	Matador
1975-1980	AMC	Pacer
1976-1983	Jeep	CJ5
1976-1986	Jeep	CJ7
1981-1986	Jeep	CJ8
1976-1986	Jeep	J10
1979-1986	Jeep	Wagoneer

Ring & Pinions	
Ratio	SVL Part #
3.54	10035873
3.73	10035867
4.10	10035906
4.88	10035870

Differential Rebuild Kits	
Description	Spicer Part #
Standard Differential Rebuild Kits	10038939
Master Overhaul Kit	10038940

Spools	
Description	Spicer Part #
AMC Model 20 3.08 & Up, 29 Spline	2022497

Misc. Components	
Description	Spicer Part #
Friction Modifier/POSI Additive	43161
RTV Sealant (2.8 oz.)	38615

**Chrysler 7.25" Rear**

Applications		
Year	Make	Model
1980-1983	Chrysler	Cordoba
1983-1989	Chrysler	Fifth Avenue
1977-1981	Chrysler	LeBaron
1982-1983	Chrysler	New Yorker
1976-1979	Dodge	Aspen
1970-1971	Dodge	Challenger
1968-1971	Dodge	Charger
1966-1971	Dodge	Coronet
1987-1996	Dodge	Dakota
1963-1972	Dodge	Dart
1977-1989	Dodge	Diplomat
1980-1983	Dodge	Mirada
1979-1981	Dodge	St. Regis
1964-1971	Plymouth	Barracuda
1966-1970	Plymouth	Belvedere
1982-1989	Plymouth	Gran Fury
1966-1971	Plymouth	Satellite
1960-1976	Plymouth	Valiant
1976-1980	Plymouth	Volare

Differential Rebuild Kits	
Description	Spicer Part #
Standard Differential Rebuild Kits	10024019
Master Overhaul Kit	10024020

Misc. Components	
Description	Spicer Part #
Friction Modifier/POSI Additive	43161
RTV Sealant (2.8 oz.)	38615

## Chrysler 8.25" Rear

Applications		
Year	Make	Model
1970-1980	Dodge	B100
1981-1994	Dodge	B150
1995-1998	Dodge	B1500
1981-1994	Dodge	B250
1995	Dodge	B2500
1968-1975	Dodge	Charger
1963-1976	Dodge	Coronet
1970-1979	Dodge	D100 2WD
1976-1993	Dodge	D150 2WD
1970-1980	Dodge	D200 2WD
1987-2004	Dodge	Dakota
1966-1976	Dodge	Dart
1998-2004	Dodge	Durango
2007-2011	Dodge	Nitro
1994-2004	Dodge	Ram 1500
1997-2001	Dodge	Ram 2500
1970-1989	Dodge	W100 4WD
1977-1993	Dodge	W150 4WD
1991-1992	Jeep	Comanche
2002-2004	Jeep	Liberty
1991-2001	Jeep	Cherokee (XJ)
1964-1974	Plymouth	Barracuda
1970-1976	Plymouth	Duster
1966-1978	Plymouth	Fury
1968-1971	Plymouth	GTX
1968-1980	Plymouth	Road Runner
1965-1974	Plymouth	Satellite

Ring & Pinions	
Ratio	SVL Part #
3.55	10009172
3.73	10009173
4.10	10036906
4.56	10035439
4.88	10009174

Differential Rebuild Kits	
Description	Spicer Part #
Standard Differential Rebuild Kits	10024021
Master Overhaul Kit	10024022

Differential Carrier Case Kits	
Description	Spicer Part #
Trac-Lok Limited Slip 2.56 & Up (27 Spline)	75101X
Trac-Lok Limited Slip 2.56 & Up (29 Spline)	84852

*All cases come loaded with gearing unless otherwise noted*

Misc. Components	
Description	Spicer Part #
Friction Modifier/POSI Additive	43161
RTV Sealant (2.8 oz.)	38615
Trac-Lok Clutch Kit	701046X
Pinion Yoke - 1310 Strap	2-70-18X

## Chrysler 8.75"

Applications		
Year	Make	Model
1961-1973	Chrysler	Imperial
1961-1973	Chrysler	New Yorker
1970-1973	Dodge	B100 Van
1970-1973	Dodge	Challenger
1966-1973	Dodge	Charger
1963-1973	Dodge	Coronet
1961-1973	Dodge	Dart
1961-1973	Dodge	Ram Van 1500
1964-1973	Plymouth	Barracuda
1970-1973	Plymouth	Duster
1961-1973	Plymouth	Fury
1967-1971	Plymouth	GTX
1968-1973	Plymouth	Road Runner
1965-1973	Plymouth	Satellite

Differential Rebuild Kits	
Standard Differential Rebuild Kit	
Description	Spicer Part #
w/ 1.75" Pinion Shaft O.D.	10024014
w/ 1.875" Pinion Shaft O.D.	10024016
Master Overhaul Kit	
Description	Spicer Part #
w/ 1.75" Pinion Shaft O.D.	10024015
w/ 1.875" Pinion Shaft O.D.	10024017

Spools	
Description	Spicer Part #
30 Spline	2022497

Pinion Yokes			
Description	U-Joint Series	Spicer Part #	U-Bolt Kit #
Forged End Yoke-10 Spline	1350	10025500	3-94-18X
Forged End Yoke-29 Spline	1350	10025502	3-94-18X
Forged End Yoke-10 Spline	7290	10025496	2-94-58X
Forged End Yoke-29 Spline	7290	10025498	2-94-58X

*U-Bolt kit not included*

Misc. Components	
Description	Spicer Part #
Friction Modifier/POSI Additive	43161
RTV Sealant (2.8 oz.)	38615

## Chrysler 9.25" Front (American Axle)

Applications		
Year	Make	Model
2006-2013	Dodge	Ram 1500 (Front)
2003-2014	Dodge	Ram 2500 (Front)
2003-2014	Dodge	Ram 3500 (Front)
2005-2012	Dodge	Power Wagon
2011-2014	RAM	2500/3500

Differential Rebuild Kits	
Description	Spicer Part #
Standard Differential Rebuild Kits	10038962
Master Overhaul Kit	10038963

Differential Carrier Case Kits	
Description	SVL Part #
Std/Open 3.42 & Up (Unloaded Case)	10019420

Chromoly Front Axle Shafts - (Inners/Outers)						
Application	Location	Position	Spline	Length (in)	Wheel Joint Part #	Spicer Part #
2003-2008 Ram 2500 4WD & 3500 4WD	Outer	RH/LH	33	7.38	5006813	10031870
2003-2009 Ram 2500 4WD & 3500 4WD	Inner	RH	33	38.06	5006813	10031871
2003-2009 Ram 2500 4WD & 3500 4WD	Inner	LH	33	19.58	5006813	10031872

Axle Shaft Universal Joint Kits	
Description	Dana Part #
Premium Spicer Life Series (1485 Non-Greasable Inside Snap Ring)	5006813
Genuine Spicer (1555 Non-Greasable Inside Snap Ring)	5-3212X

Misc. Components	
Description	Spicer Part #
Friction Modifier/POSI Additive	43161
RTV Sealant (2.8 oz.)	38615
4WD Actuator	10033321

For complete information, please check [DanaAftermarket.com](http://DanaAftermarket.com)

## Chrysler 9.25" Rear

Applications		
Year	Make	Model
1974 & Up	Dodge	W100/150
1974 & Up	Dodge	W200/250
1974 & Up	Dodge	D300/350
1974 & Up	Dodge	Ramcharger
1998 & Up	Dodge	Dakota V8
1997 & Up	Dodge	Durango

Ring & Pinions		
Ratio	SVL Part #	Application Notes
3.55	10006350*	Fits 1974 - Present
3.92	10004209*	Fits 1974 - Present
4.10	10004205*	Fits 1974 - Present

\*Dual drilled

Differential Rebuild Kits	
Standard Differential Rebuild Kit	
Description	Spicer Part #
1973-2000 Dodge, Chrysler & Plymouth Applications	10024023
2000-2011 Dodge & Chrysler Applications	10038937
Master Overhaul Kits	
Description	Spicer Part #
1973-2000 Dodge, Chrysler & Plymouth Applications	10024024
2000-2011 Dodge & Chrysler Applications	10038938

Axle Shafts						
Application	SVL Part #			SVL Part #		
	Right	Spline	Length	Left	Spline	Length
1984-1993 Dodge Ram Charger	2022604	31	31.63"	2022604	31	31.63"
1994-2006 Ram 1500	2022617	31	34.06"	2022617	31	34.06"
1997-2004 Dakota/Durango	2022642-2	31	33.50"	2022642-1	31	33.32"

Differential Carrier Cases		
Description	Spicer Part #	SVL Part #
Trac-Lok Limited Slip (31 Spline) Loaded Assy	80754	-
Open/Std. Case, 2010 & down (Unloaded)	-	10019421

Carrier Case Inner Gear Kits	
Description	SVL Part #
Chrysler 9.25" (31 Spline) Open Differential	2023889

Differential Cover Gaskets	
Description	Spicer Part #
High Performance / Reusable	RD52006

Misc. Components	
Description	Spicer Part #
Trac-Lok Clutch Kit	708203
Friction Modifier/POSI Additive	43161
RTV Sealant (2.8 oz.)	38615

## Chrysler 11.5" AAM

Applications		
Year	Make	Model
2003-2011	Dodge	1500
2003-2011	Dodge	2500
2003-2011	Dodge	3500
2011-2013	RAM	2500
2011-2013	RAM	3500

Ring & Pinions	
Ratio	SVL Part #
3.42	10004686
3.73	2020648
4.10	2020651
4.56	2020654
4.88	2020657
5.13	2023688
5.38	2023691

Differential Rebuild Kits	
Standard Differential Rebuild Kit	
Application	Spicer Part #
2003-2010 Dodge Truck 1 Ton	10038964
2006-2010 Dodge Truck 3/4 Ton	10038964
2003-2010 Dodge Truck 1/2 Ton	10038964
2001-2013 Ram 2500/3500	10038966
Master Overhaul Kit	
Application	Spicer Part #
2003-2010 Dodge Truck 1 Ton	10038965
2006-2010 Dodge Truck 3/4 Ton	10038965
2003-2010 Dodge Truck 1/2 Ton	10038965
2001-2013 Ram 2500/3500	10038967

Misc. Components	
Description	Spicer Part #
Friction Modifier/POSI Additive	43161
RTV Sealant (2.8 oz.)	38615

## Dana 30™ Std. Rotation (181 MM)

### Applications

Year	Make	Model
1980-1987	AMC	Eagle
1967-1971	Ford	Bronco
1971-1986	Jeep	CJ
1992-1996	Jeep	Grand Cherokee (ZJ)

### Ring & Pinions

Ratio	Spicer Part #	SVL Part #
3.54	706503-2X†	2020585
3.55	707300-4X*‡	
3.73	706503-3X*	2020584
3.73	707300-5X*‡	
4.10	23721-5X*	2020819
4.27	706503-8X*	10004575
4.56	-	2020816
4.88	-	2020822
5.38	70289-5X†	10004578

\* Includes HDW, bearings, seals, shims, spacer

† Includes nut and ring gear bolts

‡ Fits Grand Cherokee ZJ Only

### Differential Rebuild Kits

Description	Spicer Part #
Standard Differential Rebuild Kits	10043617
Master Overhaul Kit	10043628

### Chromoly Axle Shafts - (Inners/Outers)

Application	Spline	Length (in)	Spicer Part #
1972-1981 CJ5, 1976-1981 CJ7 (LH Inner)	27	27.01"	10007766
1972-1981 CJ5, 1976-1981 CJ7 (RH Inner)	27	14.13"	10007770
1972-1983 CJ5, 1976-1986 CJ7, 1971-1980 Scout (Outer)	27	8.72"	10007804
1982-1983 CJ5, 1982-1986 CJ7 (LH Inner)	27	28.69"	10007775
1982-1983 CJ5, 1982-1986 CJ7 (RH Inner)	27	15.79"	10007777

### Differential Carrier Case Kits

Description	Spicer Part #
Standard Diff. 3.73 & Up	708115
Standard Diff. 3.73 & Up (Unloaded Case)	706008X
Standard Diff. 3.54 & Down	706003X
Standard Diff. 3.54 & Down (Unloaded Case)	706007X

All cases come loaded with gearing unless otherwise noted

### Carrier Case Inner Gear Kits

Description	Spicer Part #	SVL Part #
Dana 30™ (27 Spline) Open Differential	706010X	10020714

### Differential Cover Kits

Description	Spicer Part #
Stamped Steel Cover Kit (w/ HDW)	2007353
Nodular Iron - Performance (w/ HDW & Performance Gasket)	10023534
Dana Blue Performance Cover (w/ HDW)	10048737

### Differential Cover Gaskets

Description	Spicer Part #
High Performance / Reusable	RD52001
Genuine Spicer OE Style	34684
RTV Sealant (2.8 oz.)	38615

### Spicer Life Series (SPL) Premium Performance Universal Joint Kit Packs

Application	Spicer Part #
1968-1978 CJ5/CJ7/CJ8 (w/o CV Front Driveshaft)	SPL1026JK
1982-1986 CJ5/CJ7/CJ8 (w/ CV Front Driveshaft)	SPL1027JK
1994-1998 Grand Cherokee (ZJ) w/ 2 Inside & Two Outside Snap Rings	SPL1013JK
1994-1998 Grand Cherokee (ZJ) w/ 4 Outside Snap Rings	SPL1014JK
1994-1998 Grand Cherokee (ZJ) w/ 4 Inside Snap Rings (7290 Series)	SPL1015JK

### Axle Shaft Universal Joint Kit

Description	Spicer Part #
Premium Spicer Life Series (1310)	5-760X
Genuine Spicer (1310)	5-260X
SVL (1310)	15-260X
Premium Spicer Life Series - Blue (1310 Non-Greasable)	15-260XC

### Ball Joints

Description	Spicer Part #
Ball Joint Kit (Upper/Lower Per Side)	706116X
Upper Ball Joint	40112
Lower Ball Joint	40113

### Misc. Components

Description	Spicer Part #
Friction Modifier/POSI Additive	43161
RTV Sealant (2.8 oz.)	38615
Inner Pinion Bearing Kit	706015X
Diff & Pinion Bearing Shim Kit	706938X
Pinion Bearing Shim Kit	706936X
Baffle - Pinion Bearing	32349
Outer Pinion Bearing Kit	706030X
Slinger - Outer Pinion Bearing	13575
Pinion Oil Seal	44895
Pinion Yoke Assy.	2-4-8091-1X
Slinger - End Yoke	41498
Pinion Nut Washer	30186
Pinion Nut	30185
Carrier Cover Bolts	34279
Differential Bearing Kit	706016X
Differential Bearing Shim Kit	706937X
Ring Gear Bolt	41221
Inner Axle Seal	46470
Knuckle Bolt	36326-1
Slinger - Spindle Yoke (Inner)	35168
Slinger - Spindle Yoke (Outer)	36364
Spindle Seal & Bearing Kit	706527X
Spindle Seal (Inner)	36361
Axle Shaft Seal (Vee block)	38128
Spacer - Wheel Bearing Spindle	38106
Outer Wheel Bearing Kit	706111X

### Universal Joint Kit Hardware

Description	Spicer Part #
1310 Series - U-Bolt Style	2-94-28X
1210/1310/1330 Series - Bolt & Strap	2-70-18X
1330 Series - Bolt & Strap	2-70-28X
1350 Series - Bolt & Strap	3-70-28X

## Dana 30™ Reverse Rotation (181 MM)

Applications		
Year	Make	Model
1987-1996	Jeep	Wrangler YJ
1971-1983	Jeep	CJ5
1976-1986	Jeep	CJ7
1986-1992	Jeep	Comanche
1981-1985	Jeep	Scrambler CJ8
1971-1973	Jeep	Wagoneer SJ
1984-1989	Jeep	Wagoneer XJ
1984-1999	Jeep	Cherokee XJ

Ring & Pinions		
Ratio	Spicer Part #	SVL Part #
3.07	706930-2X*	2020588
3.54	706930-8X*	-
3.73	706930-5X*	2020834
4.10	706930-4X*	2020837
4.56	706930-6X*	2020826
4.88	-	2020831

\* Includes HDW, bearings, seals, shims, spacer  
 † Includes nut and ring gear bolts

Differential Rebuild Kits	
Description	Spicer Part #
Standard Differential Rebuild Kits	10043617
Master Overhaul Kit	10043618

Axle Shafts		
Application	Spicer Part # Right	Spicer Part # Left
1986-1996 Wrangler YJ, 1987-1992 Cherokee w/o ABS, w/ Disconnect (Shaft & Joint Assy.)	75588-1X	75814-1X
1993-1996 Wrangler YJ w/ ABS, w/ Disconnect (Shaft & Joint Assy.)	75589-1X	75815-1X
1986-1996 Wrangler YJ, 1984-2001 Cherokee XJ w/o Disconnect (Shaft & Joint Assy.)	75814-2X	75814-1X
1986-1996 Wrangler YJ, 1987-1992 Cherokee (Outer - Tone Ring Sold Separately)	43205	43205
1986-1996 Wrangler YJ, 1987-1992 Cherokee w/ Disconnect (Inner)	75527-1X	73898-1X
1986-1996 Wrangler YJ, 1984-2001 Cherokee XJ w/o Disconnect (Inner)	73898-2X	75814-1X

Chromoly Axle Shafts - (Inners/Outers)			
Application	Spline	Length (in)	Spicer Part #
1997-2006 Wrangler TJ, 1984-2001 Cherokee XJ, 1987-1995 Wrangler YJ (LH Inner)	27	16.61"	10007743
1997-2006 Wrangler TJ, 1984-2001 Cherokee XJ, 1987-1995 Wrangler YJ (RH Inner)	27	32.36"	10007744
1997-2006 Wrangler TJ, 2003-2006 Wrangler TJ Rubicon, 1984-2001 Cherokee XJ, 1987-1995 Wrangler YJ (Outer)	27	6.10"	10007747
1997-2006 Wrangler TJ, 1984-2001 Cherokee, 1987-1995 Wrangler YJ (Designed for applications converting to manual locking hubs only)	27	8.31"	10007742

Differential Carrier Case Kits			
Application	Description	Loaded Assy Kit Spicer Part #	Case Kit Only Spicer Part #
1986-1989 Wrangler YJ, 1984-1989 Cherokee XJ	Standard Diff. 3.73 & Up	-	706934X
1990-1996 Wrangler YJ, 1990-1998 Cherokee XJ	Standard Diff. 3.73 & Up	707159X	706934X
1986-1989 Wrangler YJ, 1984-1989 Cherokee XJ	Standard Diff. 3.54 & Down	-	706933X
1990-1996 Wrangler YJ, 1990-1998 Cherokee XJ	Standard Diff. 3.54 & Down	2002913	706933X

Spicer Carrier Case Inner Gear Kits	
Application	Spicer Part #
1986-1989 Wrangler YJ, 1984-1989 Cherokee XJ (Open/Std. - 27 Spline)	706935X
1990-1996 Wrangler YJ, 1990-1998 Cherokee XJ (Open/Std. - 27 Spline)	2002914

## Dana 30™ Reverse Rotation (181 MM) (continued)

SVL Carrier Case Inner Gear Kits	
Description	SVL Part #
Dana 30™ (27 Spline) Open Differential	10020714

Differential Cover Kits	
Description	Spicer Part #
Nodular Iron - Performance (w/ HDW & Performance Gasket)	10023534
Dana Blue Performance Cover (w/ HDW)	10048737

Differential Cover Gaskets	
Description	Spicer Part #
High Performance / Reusable	RD52001
Genuine Spicer OE Style	34684
RTV Sealant (2.8 oz.)	38615

Spicer Life Series (SPL) Premium Performance Universal Joint Kit Packs	
Application	Spicer Part #
1987-1995 Wrangler (YJ)	SPL1026JK
1984-1985 Cherokee (XJ)	SPL1026JK
1987-1993 Cherokee (XJ) w/o CV Front Driveshaft	SPL1026JK
1987-1993 Cherokee (XJ) w/ CV Front Driveshaft	SPL1027JK
1995-1998 Cherokee (XJ) w/ 2 inside & 2 Outside Snap Rings	SPL1013JK
1995-1998 Cherokee (XJ) w/ 4 Outside Snap Rings	SPL1014JK
1995-1998 Cherokee (XJ) w/ 4 Inside Snap Rings (7290 Series)	SPL1015JK
1999-2001 Cherokee (XJ) w/ Automatic	SPL1014JK

Axle Shaft Universal Joint Kits	
Description	Spicer Part #
Premium Spicer® Life Series (1310)	5-760X
Genuine Spicer® (1310)	5-260X
SVL (1310)	15-260X
Premium Spicer Life Series - Blue (1310 Non-Greasable)	5-760XC

Ball Joints	
Description	Spicer Part #
Ball Joint Kit (Upper/Lower Per Side)	706944X
Upper Ball Joint	40583
Lower Ball Joint	40916

Misc. Components	
Description	Spicer Part #
Friction Modifier/POSI Additive	43161
RTV Sealant (2.8 oz.)	38615
Inner Pinion Bearing Kit	706015X
Diff & Pinion Bearing Shim Kit	706938X
Pinion Bearing Shim Kit	706936X
Baffle - Pinion Bearing	32349
Outer Pinion Bearing Kit	706030X
Slinger - Outer Pinion Bearing	13575
Pinion Oil Seal	44895
Pinion Yoke Assy.	2-4-6561-1
Slinger - End Yoke	41498
Pinion Nut Washer	30186
Pinion Nut	30185
Carrier Cover Bolts	34279
Differential Bearing Kit	706016X
Differential Bearing Shim Kit	706937X
Ring Gear Bolt	41221
Inner Axle Seal	46470
Slinger-ABS Tone Ring (Excl. 1994-1996 YJ)	40589
Slinger-ABS Tone Ring (1994-1996 YJ)	46988
4WD Air Actuator Kit	707245X
Shift Fork Kit	706941X
Shift Fork Clip Kit	706824X
Shift Fork	42585
Disconnect Housing Cover Gasket	41494
Disconnect Shaft Seal	42500
Bushing - Disconnect Shaft	43342
Knuckle Bolt	41027

Universal Joint Kit Hardware	
Description	Spicer Part #
1310 Series - U-Bolt Style	2-94-28X
1210/1310/1330 Series - Bolt & Strap	2-70-18X
1330 Series - Bolt & Strap	2-70-28X
1350 Series - Bolt & Strap	3-70-28X



## Dana 30™ TJ/XJ/ZJ/WJ Front (181 MM) Short Pinion

Applications		
Year	Make	Model
1997-2006	Jeep	TJ
2000-2001	Jeep	XJ
1996-1998	Jeep	ZJ
1999-2004	Jeep	WJ

Ring & Pinions		
Ratio	Spicer Part #	SVL Part #
3.07	707344-2X*	-
3.55	707344-8X*	10001301
3.73	707344-11X*	2020840
4.10	707344-6X*	2020591
4.56	708132-5*	2020594
4.88	-	2020597

\* Includes HDW, bearings, seals, shims, spacer  
 † Includes nut and ring gear bolts

Differential Rebuild Kits	
Standard Differential Rebuild Kit	
Application	Spicer Part #
1997-2006 Wrangler TJ	10043619
2000-2001 Cherokee XJ	10043619
Master Overhaul Kit	
Application	Spicer Part #
1997-2006 Wrangler TJ	10043620
2000-2001 Cherokee XJ	10043620

Axle Shafts	
Application	Spicer Part #
1997-2006 Wrangler TJ (Right Shaft & Joint Assy.)	75814-2X
1997-2006 Wrangler TJ (Left Shaft & Joint Assy.)	75814-1X
1997-2006 Jeep Wrangler TJ, 1985-2001 Cherokee, 1994-1998 Grand Cherokee (w/ ABS), 1986-1994 Wrangler YJ, (Outer Stub)	43205
1997-2006 Wrangler TJ (Right Inner Shaft)	73898-2X
1997-2006 Wrangler TJ (Left Inner Shaft)	73898-1X

Chromoly Axle Shafts - (Inners/Outers)			
Application	Spline	Length (in)	Spicer Part #
1997-2006 Wrangler TJ (Left Inner Shaft)	27	16.61"	10007743
1997-2006 Wrangler TJ (Right Inner Shaft)	27	32.36"	10007744
1997-2006 Wrangler TJ, 2003-2006 Wrangler TJ Rubicon, 1984-2001 Cherokee XJ, 1987-1995 Wrangler YJ (Outer Front)	27	6.11"	10007747
1997-2006 Wrangler TJ, 1984-2001 Cherokee, 1987-1995 Wrangler YJ (Designed for applications converting to manual locking hubs only)	27	8.31"	10007742

Differential Carrier Case Kits	
Description	Spicer Part #
Standard Diff. 3.73 & Up	707159X
Standard Diff. 3.73 & Up (Unloaded Case)	706008X
Standard Diff. 3.54 & Down	2002913
Standard Diff. 3.54 & Down (Unloaded Case)	706007X

Carrier Case Inner Gear Kits		
Description	Spicer Part #	SPL Part #
Dana 30™ TJ Open/Std. (27 Spline)	2002914	-
Dana 30™ Open/Std. (27 Spline)	-	10020714

Differential Cover Kits	
Description	Spicer Part #
Stamped Steel Cover Kit (w/ HDW)	2007353
Stamped Steel Cover Kit (w/HDW) WJ	707486X
Nodular Iron - Performance (w/ HDW & Performance Gasket)	10023534
Dana Blue Performance Cover (w/ HDW)	10048737

Differential Cover Gaskets	
Description	Spicer Part #
High Performance / Reusable	RD52001
Genuine Spicer OE Style	34684
RTV Sealant (2.8 oz.)	38615

Universal Joints & Kits	
Spicer Life Series (SPL) Premium Performance U-Joint Packs	
Application	Spicer Part #
1984-1985 Cherokee XJ	SPL1026JK
1987-1993 Cherokee XJ (All w/o CV Front Driveshaft)	SPL1026JK
1987-1993 Cherokee XJ (All w/CV Front Driveshaft)	SPL1027JK
1995-1998 Cherokee XJ (w/ 2 Inside and 2 Outside Snap Rings)	SPL1013JK
1995-1998 Cherokee XJ (w/ 4 Outside Snap Rings)	SPL1014JK
1995-1998 Cherokee XJ (w/ 4 Inside Snap Rings, 7290 Series)	SPL1015JK
1999-2001 Cherokee XJ (w/ Auto Trans)	SPL1014JK
1994-1998 Grand Cherokee ZJ (w/ 2 Inside and 2 Outside Snap Rings)	SPL1013JK
1994-1998 Grand Cherokee ZJ (w/ 4 Outside Snap Rings)	SPL1014JK
1994-1998 Grand Cherokee ZJ (w/ 4 Inside Snap Rings, 7290 Series)	SPL1015JK
1999 Grand Cherokee WJ	SPL1014JK
2000 Grand Cherokee WJ	SPL1016JK
2001-2003 Grand Cherokee WJ (4.7L Engine w/o Selec-Trac)	SPL1016JK
2001-2003 Grand Cherokee WJ (4.7L Engine w/ Selec-Trac)	SPL1017JK
2004 Grand Cherokee WJ (4.7L Engine)	SPL1016JK
1997-1998 Wrangler TJ	SPL1018JK
1999-2002 Wrangler TJ	SPL1014JK
2003-2004 Wrangler TJ (Excl. Rubicon)	SPL1014JK
2003-2004 Wrangler TJ (Rubicon)	SPL1019JK
2005-2006 Wrangler TJ (Excl. Rubicon)	SPL1014JK
2005-2006 Wrangler (Rubicon 2 Door)	SPL1019JK
2005-2006 Wrangler (Unlimited Rubicon)	SPL1020JK

Axle Shaft Universal Joint Kits	
Description	Spicer Part #
Premium Spicer Life Series (1310)	5-760X
Genuine Spicer (1310)	5-260X
SVL (1310)	15-260X
Premium Spicer Life Series - Blue (1310 Non-Greasable)	5-760XC

## Dana 30™ TJ/XJ/ZJ/WJ Front (181 MM) Short Pinion (continued)

Ball Joints	
Description	Spicer Part #
Ball Joint Kit (Upper/Lower Per Side)	706944X
Upper Ball Joint	40916
Lower Ball Joint	40583

Misc. Components	
Description	Spicer Part #
Friction Modifier/POSI Additive	43161
RTV Sealant (2.8 oz.)	38615
Inner Pinion Bearing Kit	706015X
Collapsible Spacer	50576
Outer Pinion Bearing Kit	706894X
Pinion Bearing Slinger - Outer	13575
Pinion Oil Seal (2001-2006)	50660
Pinion Oil Seal (1996-2000)	44895
End Yoke	2-4-6561-1
Pinion Nut	30185
Carrier Cover Bolts	34279
Differential Bearing Kit	706016X
Differential Bearing Shim Kit	701004X
Ring Gear Bolts	41221
Axle Shaft Nut	2002954
Axle Seal	46470
Knuckle Bolt	41027
Axle Shaft Dust Slinger	46849
Oil Slinger - Hub (w/o ABS)	46988
ABS Tone Ring	44646
Axle Nut	40598

Pinion Yokes	
Description	Spicer Part #
1310 Series - U-Bolt Style	2-4-8091X
1310 Series - Bolt & Strap Style	2-4-8091-1X
1330 Series - Bolt & Strap Style	2-4-3581-1X
1350 Series	3-4-5761-1X

Universal Joint Kit Hardware	
Description	Spicer Part #
1310 Series - U-Bolt Style	2-94-28X
1210/1310/1330 Series - Bolt & Strap	2-70-18X
1330 Series - Bolt & Strap	2-70-28X
1350 Series - Bolt & Strap	3-70-28X

## Dana Super 30™ JK Front (186MM)

Applications		
Year	Make	Model
2007-2015	Jeep	Wrangler

Ring & Pinions		
Ratio	Spicer Part #	SVL Part #
3.73	2005021-5*	-
4.10	2005027-5*	-
4.56	10026645	10010173
4.88	10026639	10010176
5.13	10026642	10010179

\* Includes ring gear bolts & pinion nut

Differential Rebuild Kits	
2007-2015 Wrangler JK	
Description	Spicer Part #
Standard Differential Rebuild Kits	2017366
Master Overhaul Kit	2017378

Axle Shafts - Upgraded Design		
Application	Spicer Part # Right	Spicer Part # Left
2007-2015 Wrangler JK Rubicon (1350 Series)	2014616-2	2014616-1

Differential Carrier Cases	
Description	Spicer Part #
Standard Diff. 3.73 & Up	2005974
Standard Diff. 3.73 & Up (Unloaded Case)	2010999
Standard Diff. 3.55 & Down	2005961

Carrier Case Inner Gear Kits	
Description	Spicer Part #
JK Std. Differential	2005962

Differential Cover Kits	
Description	Spicer Part #
Stamped Steel Cover Kit (w/ HDW)	2007353
Nodular Iron - Performance (w/ HDW & Performance Gasket)	10023534
Dana Blue Performance Cover (w/ HDW)	10048737

Differential Cover Gaskets	
Description	Spicer Part #
High Performance / Reusable	RD52001
Genuine Spicer OE Style	34684
RTV Sealant (2.8 oz.)	38615

Driveshafts	
Heavy Duty Upgrade - 1310 Series	
Description	Spicer Part #
Front 0-2" Lift (w/ T-Case Yoke & HDW)	10018230
Front 2-4" Lift (w/ T-Case Yoke & HDW)	10020345

**Spicer Life Series (SPL) Premium Performance Universal Joint Kit Packs**

Application	Spicer Part #
2007-2011 JK w/ Aftermarket 1310 Driveshafts w/ CV Front Driveshaft	SPL1014JK
2007-2011 JK w/ Aftermarket 1350 Driveshafts w/ CV Front Driveshaft	SPL1029JK
2012-2015 JK w/ Aftermarket 1310 Driveshafts w/ CV Front Driveshaft	SPL1028JK
2012-2015 JK w/ Aftermarket 1350 Driveshafts w/ CV Front Driveshaft	SPL1030JK

**Axle Shaft Universal Joints**

Description	Spicer Part #
Premium Spicer Life Series (1310 Non-Greasable)	5-760X
Premium Spicer Life Series - Blue (1310 Non-Greasable)	5-760XC

**Performance Adjustable Shocks**

Application	Spicer Part #
Wrangler JK w/ 3-5" Lift (Front)*	2023594
Wrangler JK w/ 3-5" Lift (Rear)*	2023595

\* Sold individually

**Dana Ultimate 44 Front Crate Axle (Bolt In Axle Assy.)**

Application	Spicer Part #
2007 & Up Jeep Wrangler JK - Front (3.73 Ratio) w/ Electric Locker	10010519
2007 & Up Jeep Wrangler JK - Front (3.73 Ratio) w/ Std. Diff.	10032861
2007 & Up Jeep Wrangler JK - Front (3.73 Ratio) w/ ARB Air Locker	10048820
2007 & Up Jeep Wrangler JK - Front (4.10 Ratio) w/ Electric Locker	10010455
2007 & Up Jeep Wrangler JK - Front (4.10 Ratio) w/ Std. Diff.	10032862
2007 & Up Jeep Wrangler JK - Front (4.10 Ratio) w/ ARB Air Locker	10048821
2007 & Up Jeep Wrangler JK - Front (4.56 Ratio) w/ Electric Locker	10010520
2007 & Up Jeep Wrangler JK - Front (4.56 Ratio) w/ Std. Diff.	10032863
2007 & Up Jeep Wrangler JK - Front (4.56 Ratio) w/ ARB Air Locker	10048822
2007 & Up Jeep Wrangler JK - Front (4.88 Ratio) w/ Electric Locker	10010521
2007 & Up Jeep Wrangler JK - Front (4.88 Ratio) w/ Std. Diff.	10032864
2007 & Up Jeep Wrangler JK - Front (4.88 Ratio) w/ ARB Air Locker	10048823
2007 & Up Jeep Wrangler JK - Front (5.13 Ratio) w/ Electric Locker	10010522
2007 & Up Jeep Wrangler JK - Front (5.13 Ratio) w/ Std. Diff.	10032865
2007 & Up Jeep Wrangler JK - Front (5.13 Ratio) w/ ARB Air Locker	10048824
2007 & Up Jeep Wrangler JK - Front (5.38 Ratio) w/ Electric Locker	10010742
2007 & Up Jeep Wrangler JK - Front (5.38 Ratio) w/ Std. Diff.	10032866
2007 & Up Jeep Wrangler JK - Front (5.38 Ratio) w/ ARB Air Locker	10048825

**Dana Ultimate 60 Crate Axle (Bolt In Axle Assy.)**

Application	Spicer Part #
2007 & Up Jeep Wrangler JK - Front (3.73 Ratio) w/ Electric Locker	10034267
2007 & Up Jeep Wrangler JK - Front (4.10 Ratio) w/ Electric Locker	10034268
2007 & Up Jeep Wrangler JK - Front (4.88 Ratio) w/ Electric Locker	10005778
2007 & Up Jeep Wrangler JK - Front (4.88 Ratio) w/ ARB Air Locker	10033062
2007 & Up Jeep Wrangler JK - Front (5.38 Ratio) w/ Electric Locker	10005777
2007 & Up Jeep Wrangler JK - Front (5.38 Ratio) w/ ARB Air Locker	10033061
2007 & Up Jeep Wrangler JK - Rear (3.73 Ratio) w/ Electric Locker	10034269
2007 & Up Jeep Wrangler JK - Rear (4.10 Ratio) w/ Electric Locker	10034270
2007 & Up Jeep Wrangler JK - Rear (4.88 Ratio) w/ Electric Locker	2023612-1
2007 & Up Jeep Wrangler JK - Rear (4.88 Ratio) w/ ARB Air Locker	10032016
2007 & Up Jeep Wrangler JK - Rear (5.38 Ratio) w/ Electric Locker	10005942
2007 & Up Jeep Wrangler JK - Rear (5.38 Ratio) w/ ARB Air Locker	10032017

**Ball Joints**

Description	Spicer Part #
Ball Joint Kit (Upper/Lower Per Side)	2007354
Upper Ball Joint	2005838
Lower Ball Joint	2011892

**Misc. Components**

Description	Spicer Part #
Friction Modifier/POSI Additive	43161
RTV Sealant (2.8 oz.)	38615
Inner Pinion Bearing Kit	707064X
Baffle - Pinion Oil	48741-3
Collapsible Spacer	50614
Outer Pinion Bearing Kit	706015X
Pinion Bearing Slinger - Outer	2005565
Pinion Oil Seal	2004670
Pinion Nut	44189
Carrier Cover Bolts	34279
Differential Bearing Kit	706016X
Ring Gear Bolt	41221
Axle Shaft Nut	2008564
Companion Flange Assy. - Front Axle	2005008
Transfer Case End Yoke (1310 Series)	10016266†
Inner C / Tube Yoke	10025543‡
Steering Knuckle - Right	10029729
Steering Knuckle - Left	10029730
Wheel Hub Assy.	10021363
Axle Shaft Nut	2008564
Axle Seal - Original Design	54381
Axle Seal - Upgraded Design	2013455*

\* New design includes integrated axle guide to reduce seal damage during install and three sealing lips compared to one on original

† Replaces OE-style companion flange at transfer case

‡ Aftermarket optimized design

**Chromoly Axle Shafts - (Inners/Outers)**

Application	Location	Position	Spline	Length (in)	U-Joint Part #	Spicer Part #
2007-2015 Jeep Wrangler JK (1310 Series)	Outer	RH/LH	32	6.33"	5-760X	10014979
2007-2015 Jeep Wrangler JK (1350 Series)	Outer	RH/LH	32	6.33"	5-7166X	10015183
2007-2015 Jeep Wrangler JK (1310 Series)	Inner	LH	27	18.8"	5-760X	10014980
2007-2015 Jeep Wrangler JK (1310 Series)	Inner	RH	27	34.5"	5-760X	10014981
2007-2015 Jeep Wrangler JK (1350 Series)	Inner	LH	27	18.8"	5-7166X	10015196
2007-2015 Jeep Wrangler JK (1350 Series)	Inner	RH	27	34.5"	5-7166X	10015344

## Dana Super 30™ JL Front (186MM)

Applications		
Year	Make	Model
2018 & Newer	Jeep	Wrangler JL - Sport/Sahara w/ 3.6L engine

Ring & Pinions		
Ratio	Spicer Part #	SVL Part #
3.45	10006253	
3.73	2005021-5*	-
4.10	2005027-5*	-
4.56	10026645	10010173
4.88	10026639	10010176
5.13	10026642	10010179

\* Includes Ring Gear Bolts & Pinion Nut

Differential Rebuild Kits		
Application	Description	Spicer Part #
2018 & Newer Jeep Wrangler JL	Standard Differential Rebuild Kits	10040312
2018 & Newer Jeep Wrangler JL	Master Overhaul Kit	10040313

Axle Shafts			
Application	Description	Spicer Part # Right	Spicer Part # Left
2018 & Newer Jeep Wrangler JL	Shaft & Joint Assembly	10025729	10025732
2018 & Newer Jeep Wrangler JL	Outer Axle Shaft	10025733	10025733

Differential Carrier Cases		
Applications	Description	Spicer Part #
2018 & Newer Jeep Wrangler JL	Standard Diff.	10062383

Carrier Case Inner Gear Kits		
Application	Description	Spicer Part #
2018 & Newer Jeep Wrangler JL	Std. Differential Inner Gear Kit	10062492

Differential Cover Kits		
Application	Description	Spicer Part #
2018 & Newer Jeep Wrangler JL	Nodular Iron - Performance (w/ HDW)	10040640
2018 & Newer Jeep Wrangler JL	Dana Blue Performance Cover (w/ HDW)	10053465

Axle Shaft Universal Joint Kits	
Description	Spicer Part #
Premium Spicer Life Series (1350 Non-Greasable)	5-7166X
Premium Spicer Life Series - Blue (1350 Non-Greasable)	5-7166XC
Premium Spicer Life Series (1410 Non-Greasable)	5-1410X

The Ultimate Dana 60™ Crate Axle (Bolt In Axle Assy. For JL)	
Application	Spicer Part #
Ultimate Dana 60 Front Crate Axle for Jeep JL 3.73 Ratio w/ Electronic Locker	10056042
Ultimate Dana 60 Front Crate Axle for Jeep JL 4.10 Ratio w/ Electronic Locker	10056043
Ultimate Dana 60 Front Crate Axle for Jeep JL 4.88 Ratio w/ Electronic Locker	10056032
Ultimate Dana 60 Front Crate Axle for Jeep JL 5.38 Ratio w/ Electronic Locker	10056030
Ultimate Dana 60 Rear Crate Axle for Jeep JL 3.73 Ratio w/ Electronic Locker	10048757
Ultimate Dana 60 Rear Crate Axle for Jeep JL 4.10 Ratio w/ Electronic Locker	10048758
Ultimate Dana 60 Rear Crate Axle for Jeep JL 4.88 Ratio w/ Electronic Locker	10048764
Ultimate Dana 60 Rear Crate Axle for Jeep JL 5.38 Ratio w/ Electronic Locker	10048784

Misc. Components	
Description	Spicer Part #
Friction Modifier/POSI Additive	43161
RTV Sealant (2.8 oz.)	38615
Inner Pinion Bearing Kit	10040443
Collapsible Spacer	10009299
Outer Pinion Bearing Kit	10040444
Pinion Bearing Slinger - Outer	2005565
Pinion Oil Seal	2014762-1
Pinion Nut	44189
Carrier Cover Bolts	10050881
Differential Bearing Kit	10062385
Ring Gear Bolt	41221
Ring Gear Bolt - Pack of 10	10040448
Companion Flange Assy	10009253
Transfer Case End Yoke (1310 Series)	10016266†
Transfer Case End Yoke (1350 Series)	10016268†
Axle Shaft Nut (JK/JL)	2008564

† Replaces OE Style Companion Flange at Transfer Case

Chromoly Axle Shaft Assemblies			
Application	Description	Position	Part #
2018 & Newer Jeep Wrangler JL	Chromoly Axle Shaft Assembly - 1410 Series Upgraded U-Joint	Left	10044416
2018 & Newer Jeep Wrangler JL	Chromoly Axle Shaft Assembly - 1410 Series Upgraded U-Joint	Right	10044431
2018 & Newer Jeep Wrangler JL	Chromoly Axle Shaft Assembly Kit w/ FAD Removal Spacer 1410 Series Upgraded U-Joint*	Left and Right	10045077
2018 & Newer Jeep Wrangler JL	Chromoly Axle Shaft Assembly Kit - 1410 Series Upgraded U-Joint	Left and Right	10044417

## Dana 35™ Rear (194MM)

Applications		
Year	Make	Model
1980-1988	AMC	Concord/Eagle/Spirit
1997-1999	Dodge	Dakota
1998-1999	Dodge	Durango
1990	Ford	Bronco II
1991-1994	Ford	Explorer
1990-1997	Ford	Ranger
1984-1989	Jeep	Cherokee XJ Non C-Clip
1990-2001	Jeep	Cherokee XJ C-Clip
1987-1989	Jeep	Wrangler YJ Non-C-Clip
1990-1996	Jeep	Wrangler YJ C-Clip
1997-2001	Jeep	Wrangler TJ
1992-1998	Jeep	Grand Cherokee ZJ
1999-2004	Jeep	Grand Cherokee WJ
1984-1989	Jeep	Wagoneer XJ
1986-1992	Jeep	Comanche
1994-1997	Mazda	B3000/4000
1991-1994	Mazda	Navajo

Ring & Pinions		
Ratio	Spicer Part #	SVL Part #
3.07	73442-5X†‡	-
3.07 with 7/16"-20 bolts	84118-5†	-
3.27	707359-1X*‡	-
3.55	73386-5X†‡	2020468
3.55 with 7/16"-20 bolts	707244-7X*	-
3.73	75137-5X†‡	2020481
4.11	73383-5X†‡	2020487
4.11 with 7/16"-20 bolts	80613-6†	-
4.56	73382-5X†‡	2020464
4.88	-	2020484

\* Includes HDW, bearings, seals, shims, spacer

† Includes nut and ring gear bolts only

‡ Drilled for 3/8" ring gear bolts

Differential Rebuild Kits	
Standard Differential Rebuild Kit	
Application	SVL Part #
1980-1988 AMC Concord/Eagle/Spirit	10043621
1997-1999 Dodge Dakota	10043621
1998-1999 Dodge Durango	10043621
1990 Ford Bronco II	10043621
1991-1994 Ford Explorer	10043621
1990-1997 Ford Ranger (w/ 4.0L V6)	10043621
1984-2001 Cherokee (XJ) Rear	10043621
1986-1992 Comanche	10043621
1993-1998 Grand Cherokee	10043621
1984-1989 Wagoneer (XJ)	10043621
1997-2006 Wrangler (TJ)	10043621
1987-1993 Wrangler (YJ)	10043621
1994-1997 Mazda B3000/4000	10043621
1991-1994 Mazda Navajo	10043621

Master Overhaul Kit	
Application	SVL Part #
1980-1988 AMC Concord/Eagle/Spirit	10043622
1997-1999 Dodge Dakota	10043622
1998-1999 Dodge Durango	10043622
1990 Ford Bronco II	10043622
1991-1994 Ford Explorer	10043622
1990-1997 Ford Ranger (w/ 4.0L V6)	10043622
1984-2001 Cherokee (XJ) Rear	10043622
1986-1992 Comanche	10043622
1993-1998 Grand Cherokee	10043622
1984-1989 Wagoneer (XJ)	10043622
1997-2006 Wrangler (TJ)	10043622
1987-1993 Wrangler (YJ)	10043622
1994-1997 Mazda B3000/4000	10043622
1991-1994 Mazda Navajo	10043622

Differential Carrier Case Kits	
Description	Spicer Part #
Trac-Lok Limited Slip 3.31 & Down (27 Spline ) Until 2001	74215X
Trac-Lok Limited Slip 3.31 & Down (27 Spline ) 2001 & After	708138
Trac-Lok Limited Slip 3.54 & Up (27 Spline) Until 2001	74210X
Trac-Lok Limited Slip 3.54 & Up (27 Spline) 1999-2001 WJ w/ ABS, 2001 XJ	708110
Trac-Lok Limited Slip 3.54 & Up (27 Spline) 2001-2006 TJ, 2002-2004 KJ	708183
Open/Std. 3.31 & Down (27 Spline) Until 2001	75053X
Open/Std. 3.31 & Down (27 Spline) 2001 & After	708141
Open/Std. 3.54 & Up (27 Spline) Until 2001	75054X
Open/Std. 3.54 & Up (27 Spline) 2001 XJ, 2001 TJ LHD	80880
Open/Std. 3.54 & Up (27 Spline) 2002-2006 TJ, 1999-2003 WJ	708109
Open/Std. Case, 3.54 & Up, (27 Spline) 1.625" dia. Hub (Unloaded)	10019418

All cases come loaded with gearing unless otherwise noted

Spicer Carrier Case Inner Gear Kits	
Description	Spicer Part #
Std./Open 1993 & Up (27 Spline)	707321X
Std./Open 1993 & Down (27 Spline)	707247X
Trac-Lok Limited Slip (27 Spline)	708184

SVL Carrier Case Inner Gear Kits	
Description	SVL Part #
Std./Open 27 Spline (1.560" Side Gear Bore)	10020717
Std./Open 27 Spline (1.625" Side Gear Bore)	10020716

## Dana 35™ Rear (194MM) (continued)

Differential Cover Kits	
Description	Spicer Part #
Sampled Steel Cover Kit (w/ HDW)	74208X
Nodular Iron - Performance (w/ HDW & Performance Gasket)	10023535
Dana Blue Performance Cover (w/ HDW & RTV Sealant)	10048738

Spicer Life Series (SPL) Premium Performance Universal Joint Kit Packs	
Application	Spicer Part #
1984-1985 Cherokee XJ	SPL1026JK
1987-1993 Cherokee XJ w/ CV Front Driveshaft	SPL1027JK
1987-1993 Cherokee XJ w/o CV Front Driveshaft	SPL1026JK
1987-1995 Wrangler YJ	SPL1026JK
1994-1998 Grand Cherokee ZJ w/ 2 Inside & 2 Outside Snap Rings	SPL1013JK
1994-1998 Grand Cherokee ZJ w/ 4 Inside Snap Rings w/ 7290 Series	SPL1015JK
1994-1998 Grand Cherokee ZJ w/ 4 Outside Snap Rings	SPL1014JK
1995-1998 Cherokee XJ w/ 2 Inside & 2 Outside Snap Rings	SPL1013JK
1995-1998 Cherokee XJ w/ 4 Inside Snap Rings w/ 7290 Series	SPL1015JK
1995-1998 Cherokee XJ w/ 4 Outside Snap Rings	SPL1014JK
1997-1998 Wrangler TJ	SPL1018JK
1999 Grand Cherokee WJ	SPL1014JK
1999 Grand Cherokee WJ	SPL1016JK
1999-2001 Cherokee XJ w/ Automatic Transmission	SPL1014JK
1999-2002 Wrangler TJ	SPL1014JK
2001-2003 Grand Cherokee WJ 4.7L w/ Selec-Trac	SPL1017JK
2001-2003 Grand Cherokee WJ 4.7L w/o Selec-Trac	SPL1016JK
2003-2004 Wrangler TJ Excl. Rubicon	SPL1014JK
2003-2004 Wrangler TJ Rubicon	SPL1019JK
2004 Grand Cherokee WJ 4.7L	SPL1016JK
2005-2006 Wrangler TJ Excl. Rubicon	SPL1014JK
2005-2006 Wrangler TJ Rubicon	SPL1019JK
2005-2006 Wrangler TJ Unlimited Rubicon	SPL1020JK

Misc. Components	
Description	Spicer Part #
Friction Modifier/POSI Additive	43161
RTV Sealant (2.8 oz.)	38615
Inner Pinion Bearing Kit	707162X
Collapsible Spacer	42102
Outer Pinion Bearing Kit	706894X
Pinion Oil Seal	43085
Pinion Nut	44189
Carrier Cover Bolts	34279
Differential Bearing Kit	706016X
Axle Shaft Wheel Bearing	566121
Wheel Seal	46485
Clutch Kit Trac-Lok	707165X

Pinion Yokes	
Description	Spicer Part #
1310 Series - Bolt & Strap Style	2-4-4601-1

Universal Joint Kit Hardware	
Description	Spicer Part #
1310 Series - U-Bolt Style	2-94-28X
1310 Series - Bolt & Strap	2-70-1X
1330 Series - Bolt & Strap	2-70-18X

Axle Shafts							
Application	Position	Spline	Length (in)	Spicer Part #	SVL Part #	OE Part #	Hollander Part #
1990-1991 Cherokee, 1990-1991 Comanche, 1990 Wagoneer, 1991-1992 Wrangler	RH	27	29.25"	73624-1X	2022614-3	5252956	447-1979R/447-1832R
1990-1991 Cherokee, 1990-1991 Comanche, 1990 Wagoneer, 1991-1992 Wrangler	LH	27	30.67"	73624-2X	2022614-4	5252957	447-1797L
1993-1995 Wrangler, 1992-2001 Cherokee, 1993-1994 Grand Cherokee, 1992 Comanche (w/ Drum Brakes)	RH	27	29.25"	74356-1X	2022659-1	4713192	447-2204R
1993-1995 Wrangler 1992-2001 Cherokee, 1993-1994 Grand Cherokee, 1992 Comanche (w/ Drum Brakes)	LH	27	30.69"	74356-2X	2022659-2	4713193	447-2204L
1994-1998 Grand Cherokee (w/ Disc Brakes)	RH	27	29.24"	74789-1X	2022614-6	4762194	447-2081R
1994-1998 Grand Cherokee (w/ Disc Brakes)	LH	27	30.67"	74789-2X	2022614-5	4762195	447-2081L
1999-2004 Grand Cherokee (w/ Disc Brakes)	LH	27	32.43"	76467-4X	2022668-2	5012821AA	447-2462L
1999-2004 Grand Cherokee (w/ Disc Brakes)	RH	27	32.94"	76467-3X	2022668-1	5012820AA	447-2461R

Note: See Axle Shaft Detailed Application Section for year/make/model search

## Dana 35™ AdvanTEK Rear (200MM)

Applications		
Year	Make	Model
2018 & Newer	Jeep	Wrangler JL - Sport/Sahara w/ 3.6L Engine and Open Rear Differential

Ring & Pinions	
Ratio	Spicer Part #
3.45	10060460
4.10	10095819
4.56	10067221
4.88	10067231
5.13	10067244

Differential Rebuild Kits		
Application	Description	Spicer Part #
2018 & Newer Jeep Wrangler JL	Standard Differential Rebuild Kits	10040451
2018 & Newer Jeep Wrangler JL	Master Overhaul Kit	10040452

Differential Carrier Case Kits	
Description	Spicer Part #
Standard Diff.	10063459

*All cases come loaded with gearing unless otherwise noted.*

Spicer Carrier Case Inner Gear Kits	
Description	Spicer Part #
Standard Diff. Inner Gear Kit	10063481

Differential Cover Kits	
Description	Spicer Part #
Sampled Steel Cover Kit (w/ HDW)	10005626
Nodular Iron - Performance (w/ HDW & RTV Sealant)	10044349
Dana Blue Performance Cover (w/ HDW & RTV Sealant)	10053467

Chromoly Axle Shafts		
Application	Location	Spicer Part #
2018 & Newer Jeep Wrangler JL	Left	10043051
2018 & Newer Jeep Wrangler JL	Right	10043051
2018 & Newer Jeep Wrangler JL	Left/Right	10043084

*Note: See Axle Shaft Detailed Application Section for year/make/model search*

Misc. Components	
Description	Spicer Part #
Friction Modifier/POSI Additive	43161
RTV Sealant (2.8 oz.)	38615
Inner Pinion Bearing Kit	10040461
Outer Pinion Bearing Kit	2014967-2
Pinion Shim Kit	10040465
Differential Bearing Kit	10063464
Differential Shim Kit	10040466
Pinion Oil Seal	2010953-2
Axle Shaft Wheel Bearing	565904
Axle Shaft Wheel Bearing Retainer	10032011
Wheel Seal	2021013-1
Axle Shaft Wheel Stud	10047625
Pinion Nut	2009624
Collapsible Spacer	10008365
Companion Flange Assembly	10020112
Ring Gear Bolts	10008806
Ring Gear Bolts - 10 pk	10040474
Transfer Case End Yoke (1310 Series)	10016266†
Transfer Case End Yoke (1350 Series)	10016268†

*† Replaces OE Style Companion Flange at Transfer Case*

## Dana 44™ (216MM)

Applications		
Year	Make	Model
1960-1980	Chevrolet	K10/25 Front
1969-1979	Chevrolet	Blazer
1973-1980	Chevrolet	Suburban 1500/2500
1965-1980	Chevrolet	1/2 Ton Truck
1968-1980	Chevrolet	3/4 Ton Truck
1974-1993	Dodge	Ramcharger
1969-1993	Dodge	1/2 Ton Truck
1969-1984	Dodge	3/4 Ton Truck
1969-2001	Dodge	W100/150/200/300
1967-1996	Ford	Bronco
1967-1992	Ford	1/2 Ton Truck
1967-1988	Ford	3/4 Ton Truck
1981-1985	Ford	1 Ton Truck
1971-1977	Ford	F100/150/250 Front
1970-1979	GMC	Jimmy
1965-1980	GMC	1/2 ton Truck
1968-1980	GMC	3/4 Ton Truck
1972-1982	International	Scout Front
1968-1981	International	Scout Rear
1970-1980	Jeep	J10/J20
1967-1973	Jeep	Jeepster
1974-1983	Jeep	Wagoneer
1974-1983	Jeep	Cherokee
1974-1988	Jeep	Truck
1967-1986	Jeep	CJ5
1986	Jeep	CJ7
1984-1992	Jeep	XJ Rear
1984-1992	Jeep	Grand Wagoneer Front
1994-1998	Jeep	Grand Cherokee ZJ
1972-1979	Jeep	Wagoneer Rear
1997-2006	Jeep	Wrangler TJ Rear w/ 3/8" ring gear bolts
1987-1995	Jeep	Wrangler YJ
2003-2006	Jeep	Jeep Wrangler TJ Rubicon
1986-1989	Jeep	Comanche
1990-1992	Jeep	Comanche
1974-1981	Plymouth	Trailduster

Ring & Pinions			
Ratio	Spicer Part #	SVL Part #	SVL Thick Gear
3.07	706017-1X*	-	-
3.23	-	-	-
3.31	706017-2X*	-	-
3.54	22856-5X†	2020428	-
3.73	22736-5X†	10001434	-
3.92	22104-5X†	2020809	-
4.09	22745-5X†	2020425	10001711
4.27	706017-10X*	2020793	-
4.56	22105-5X†	10001274	10001279
4.88	-	10005314	10001282
5.13	-	10001288	10001291
5.38	706017-8X*	2020806	-
5.89	706017-9X*	2020431	-

\* Includes HDW, bearings, seals, shims, spacer  
 † Includes nut and ring gear bolts only

Differential Carrier Cases	
Description	Spicer Part #
Air Locker - TJ Rubicon Front	84650
Trac-Lok Limited Slip 4.10 & Down	707115X
Trac-Lok Limited Slip 3.73 & Down 2003-2006 TJ	708218
Trac-Lok Limited Slip 3.92 & Up	707150X
Open/Std. 3.73 & Down	707021-1X
Open/Std. 3.73 & Down 2003-2006 TJ	708216
Open/Std. 3.92 & Up	707022-1X

All cases come loaded with gearing unless otherwise noted

Carrier Case Inner Gear Kits	
Description	Spicer Part #
Trac-Lok Limited Slip 1997-2003 TJ	708204
Trac-Lok Limited Slip 2003-2006 TJ	708204
Open/Std.	707025-1X
Open/Std. 2003-2006 TJ	2017077

Spools		
Description	Spline	Spicer Part #
Dana 44™ 3.92 & Up	30 Spline	2023397
Dana 44™ 3.73 & Down	30 Spline	2023547
Mini-Spool	30 Spline	2023540

Differential Cover Kits	
Description	Spicer Part #
Stamped Steel Cover Kit (w/ HDW)	707014X
Nodular Iron - Performance (w/ HDW & Performance Gasket)	10023536
Dana Blue Performance Cover w/ HDW	10048739

Differential Cover Gaskets	
Description	Spicer Part #
High Performance / Reusable	RD52000
Genuine Spicer OE Style	34685



Differential Rebuild Kits		
Standard Differential Rebuild Kits		
Application	Front/Rear	Spicer Part #
1998-2000 Wrangler TJ (Trac-Lok)	Rear	2017080
2001-2003 Wrangler TJ (Axle BOM# 606647-1,2, 606851-1,2, 607006-1,2, 606646, 606648, 606850, 606852, 606875)	Rear	2017084
2001-2002 Wrangler TJ w/ Trac-Lok (Axle BOM# 606565-4, 606567-3 & 606626)	Rear	2017080
2003-2006 TJ Wrangler	Front	2017085
2003-2006 Wrangler TJ (Axle BOM# 606642, 607001, 607012, 607015-1,2,3,4, 6070016-1,2, 2003690, 205809, 2006233-1,2,3,4, 2006234-1,2)	Rear	2017084
2003-2006 Wrangler TJ (Axle BOM# 606960-1,2, 606959, 606961, 607007, 607008, 2006231-1,2,3,4, 2006232-1,2,3)	Rear	2017084
2003-2006 Wrangler TJ (w/ OE Air Locker)	Rear	2017085
2004-2006 (Axle BOM# 606998, 2001543, 2003688, 2003689, 2003691, 2004422, 2004423, 2005796, 2005806, 2005807)	Rear	2017084
Master Overhaul Kit		
Application	Front/Rear	Spicer Part #
1998-2000 Wrangler TJ (Trac-Lok)	Rear	2017091
2001-2003 Wrangler TJ (Axle BOM# 606647-1,2, 606851-1,2, 607006-1,2, 606646, 606648, 606850, 606852, 606875)	Rear	2017096
2001-2002 Wrangler TJ w/ Trac-Lok (Axle BOM# 606565-4, 606567-3 & 606626)	Rear	2017091
2003-2006 Wrangler TJ Rubicon	Front	2017101
2003-2006 Wrangler TJ (Axle BOM# 606642, 607001, 607012, 607015-1,2,3,4, 6070016-1,2, 2003690, 205809, 2006233-1,2,3,4, 2006234-1,2)	Rear	2017100
2003-2006 Wrangler TJ (Axle BOM# 606960-1,2, 606959, 606961, 607007, 607008, 2006231-1,2,3,4, 2006232-1,2,3)	Rear	2017098
2003-2006 Wrangler TJ (w/ OE Air Locker)	Rear	2017097
2004-2006 (Axle BOM# 606998, 2001543, 2003688, 2003689, 2003691, 2004422, 2004423, 2005796, 2005806, 2005807)	Rear	2017099

Chromoly Axle Shafts - (Inners/Outers)						
Application	Location	Position	Spline	Length (in)	U-Joint Part #	Spicer Part #
1969-1980 Blazer, 1969-1980 K10/1500, 1977-1980 K20/2500, 1969-1980 K5 Blazer, 1969-1980 Suburban	Inner	LH	30	36.13"	5-760X	10007813
1971-1977 Bronco	Inner	LH	27	18.44"	5-760X	10007779
1971-1977 Bronco	Inner	RH	27	28.06"	5-760X	10007781
1971-1977 Bronco	Inner	RH	30	27.94"	5-760X	10007801
1972-1983 CJ5, 1976-1986 CJ7, 1971-1980 Scout	Outer	RH/LH	27	8.72"	5-760X	10007804
1972-1983 CJ5, 1976-1986 CJ7, 1971-1980 Scout	Outer	RH/LH	30	8.72"	5-760X	10007764
1974-1979 Wagoneer	Inner	LH	30	32.95"	5-760X	10007768
1974-1979 Wagoneer, 1971-1980 Scout II	Inner	RH	30	14.78"	5-760X	10007799
1980-1992 Wagoneer	Inner	LH	30	32.12"	5-760X	10007811
1980-1992 Wagoneer	Inner	RH	30	15.80"	5-760X	10007810
1997-2006 Wrangler TJ, 2003-2006 Wrangler TJ Rubicon, 1984-2001 Cherokee XJ, 1987-1995 Wrangler YJ	Outer	RH/LH	27	6.11"	5-760X	10007747
2003-2006 Wrangler TJ Rubicon	Outer	RH/LH	30	6.16"	5-760X	10008250
2003-2006 Wrangler TJ Rubicon	Inner	LH	30	16.96"	5-760X	10007745
2003-2006 Wrangler TJ Rubicon	Inner	RH	30	31.84"	5-760X	10007746

Front Axle Shafts		
Application	Right Spicer Part #	Left Spicer Part #
1969-1980 Blazer, 1977-1980 K20/K25/K2500K 1969-1980 K5 Blazer, 1969-1980 Suburban, 1969-1980 K15/K1500 (Inners)	27902-1X	27902-2X
1969-1977 Blazer, 1969-1987 K10/K15/K1500, 1969-1987 K20/K25/K2500, 1969-1980 K5 Blazer, 1969-1987 Suburban, 1974-1992 Wagoneer (Outer)	41677	41677
1974-1979 Wagoneer, 1974 Ramcharger, 1972-1974 Dodge W100, 1971-1979 Bronco, 1971-1979 F150/250, 1974-1976 Wagoneer (Outer)	620200	620200
1994-1999 Ram 1500, 1995-1998 Ram 2500 (Complete Axle Shaft Assy.)	76812-1X	76813-1X
1994-2001 Ram 1500 (Outer)	74917X	74917X
1994-2000 Ram 1500 (Inner)	76815-1X	76814-1X
2003-2006 Wrangler Rubicon TJ (Complete Axle Shaft Assy.)	84378-1	84378-2

## Dana 44™ (216MM) (continued)

Rear Axle Shafts							
Application	Position	Spline	Length (in)	Spicer Part #	SVL Part #	OE Part #	Hollander Part #
1994-1998 Grand Cherokee	RH	30	29.38"	74871-1X	-	4856332	447-2232R
1994-1998 Grand Cherokee	LH	30	30.38"	74871-2X	2022661-1	4856333	447-2232L
2000-2002 Wrangler & 2000-2001 Cherokee	RH	30	29.68"	75786-1X	-	4882350	447-1567R/447-2416R
2000-2002 Wrangler & 2000-2001 Cherokee	LH	30	29.25"	75786-2X	2022661-4	4882351	447-2416L/447-1567L
1999-2004 Grand Cherokee w/ Vari-Lok	RH	30	29.38"	76454-1X	2023481-1	5012872AA	447-2703R
1999-2004 Grand Cherokee w/ Vari-Lok	LH	30	32.38"	76454-2X	2023481-2	5012873AA	447-2704L
1999-2004 Grand Cherokee w/o Vari-Lok	RH	30	30.44"	76454-3X	2023482-1	5012850AA	447-2705R
1999-2004 Grand Cherokee w/o Vari-Lok	LH	30	31.44"	76454-4X	2023482-2	5012851AA	447-2706L
2003-2006 Wrangler w/ Trac-Lok or Air Lock	RH	30	29.94"	84377-1	-	5083676AA	447-2717R
2003-2006 Wrangler w/ Trac-Lok or Air Lock	LH	30	29.21"	84377-2	-	5083677AA	447-2718L
2003-2006 Wrangler w/ Std. Diff	RH	30	29.71"	85233-1	-	5086632AA	447-2719R
2003-2006 Wrangler w/ Std. Diff	LH	30	29.21"	85233-2	-	5086633AA	447-2720L

Note: See axle shaft detailed application section for year/make/model search

### Spicer Life Series (SPL) Premium Performance Universal Joint Kit Packs

Application	Spicer Part #
1968-1978 CJ5, CJ7, CJ8 w/o CV Front Driveshaft	SPL1026JK
1982-1986 CJ5, CJ7, CJ8 w/o CV Front Driveshaft	SPL1026JK
1979-1981 CJ5, CJ7, CJ8 w/ CV Front Driveshaft	SPL1027JK
1987-1995 Wrangler YJ	SPL1026JK
1997-1998 Wrangler TJ	SPL1018JK
1994-1998 Grand Cherokee ZJ w/ 2 Inside & 2 Outside Snap Rings	SPL1013JK
1994-1998 Grand Cherokee ZJ w/ 4 Outside Snap Rings	SPL1014JK
1994-1998 Grand Cherokee ZJ w/ 4 Inside Snap Rings w/ 7290 Series	SPL1015JK
1999 Grand Cherokee WJ	SPL1014JK
1999 Grand Cherokee WJ	SPL1016JK
1999-2002 Wrangler TJ	SPL1014JK
2001-2003 Grand Cherokee WJ 4.7L w/o Selec-Trac	SPL1016JK
2001-2003 Grand Cherokee WJ 4.7L w/ Selec-Trac	SPL1017JK
2004 Grand Cherokee WJ 4.7L	SPL1016JK
2003-2004 Wrangler TJ Excl. Rubicon	SPL1014JK
2003-2004 Wrangler TJ Rubicon	SPL1019JK
2005-2006 Wrangler TJ Excl. Rubicon	SPL1014JK
2005-2006 Wrangler TJ Rubicon	SPL1019JK
2005-2006 Wrangler TJ Unlimited Rubicon	SPL1020JK

### Axle Shaft Universal Joint Kits

Description	Spicer Part #
Premium Spicer Life Series (1310 Non-Greasable)	5-760X
Premium Spicer Life Series - Blue (1310 Non-Greasable)	5-760XC
Premium Spicer Life Series - Blue (1350 Non-Greasable Inside Snap Ring)	SPL30-7166XC

### Misc. Components - Rear

Description	Spicer Part #
RTV Sealant (2.8 oz.)	38615
Friction Modifier/POSI Additive	43161
Inner Pinion Bearing Kit	706031X
Inner Pinion Bearing Kit WJ	707064X
Outer Pinion Bearing Kit	706030X
Outer Pinion Bearing Kit WJ	706123X
Pinion Bearing Slinger	13575
Pinion Oil Seal TJ w/ Air Locker	50531
Pinion Oil Seal TJ w/o Locker 2002-2006	50660
Pinion Oil Seal TJ w/o Locker 1997-2001	44895
Pinion Oil Seal WJ	50574

### Misc. Components - Rear (continued)

Description	Spicer Part #
Oil Seal TJ w/ Air Locker	47762
Oil Seal WJ	47886
Differential Bearing Kit TJ	706032X
Differential Bearing Kit WJ	706988X
Wheel Bearing	565903
Wheel Bearing WJ	566075
Axle Shaft Outboard Seal	35239
Axle Shaft Outboard Seal WJ	35938
TJ Locker Actuator Assembly	84307
Powr-Lok Clutch Kit	22233X
Trac-Lok Clutch Kit	708203

### Misc. Components - Front

Description	Spicer Part #
RTV Sealant (2.8 oz.)	38615
Friction Modifier/POSI Additive	43161
Powr-Lok Clutch Kit	22233X
Trac-Lok Clutch Kit	708203
Pinion Seal	44895
Pinion Seal- TJ	50531
Outer Pinion Bearing Kit	706030X
Outer Pinion Bearing Kit	706031X
Ball Joint Kit (Upper/Lower)	706116X
Ball Joint Kit (Upper/Lower) TJ	706944X
TJ Locker Actuator Assembly	84307
Pinion Nut - TJ	50560
Differential Bearing Kit - TJ	706032X
Ring Gear Bolt - TJ	701071-10

### Pinion Yokes

Description	Spicer Part #
1310 Series - U-Bolt Style	2-4-8091X
1310 Series - Bolt & Strap Style	2-4-8091-1X
1330 Series - Bolt & Strap Style	2-4-3581-1X

### Universal Joint Kit Hardware

Description	Spicer Part #
1310 Series - U-Bolt Style	2-94-28X
1310 Series - Bolt & Strap	2-70-18X
1330 Series - Bolt & Strap	2-70-28X
1330 Series - U-Bolt Style	2-94-58X
1350 Series - U-Bolt Style	3-70-28X

## Dana 44™ JK Front (216MM)

Applications		
Year	Make	Model
2007-2015	Jeep	Wrangler

Ring & Pinions		
Ratio	Spicer Part #	SVL Part #
3.73	2013742-5*	-
4.10	2005024-5*	-
4.56	2019746	10010200
4.88	2019749	10010203
5.13	2019752	10010206
5.38	10010738	10010209

\* Includes ring gear bolts & pinion nut

Differential Rebuild Kits	
Description	Spicer Part #
Standard Differential Rebuild Kit	2017088
Master Overhaul Kit	2017106

Axle Shafts - Upgraded Design		
Application	Spicer Part # Right	Spicer Part # Left
2007-2015 Wrangler JK Rubicon (1350 Series)	2014169-2	2014169-1
2007-2015 Wrangler JK Rubicon (1350 Series) - Chromoly	10033860	10033859

Differential Carrier Cases	
Application	Spicer Part #
JK Rubicon Electric Locker	2007503
JK Rubicon E- Locker Solenoid Assy.	2005193

All cases come loaded with gearing unless otherwise noted

Differential Cover Kits	
Description	Spicer Part #
Stamped Steel Cover Kit (w/ HDW)	708175
Nodular Iron - Performance (w/ HDW)	10023536
Dana Blue Performance Cover w/ HDW	10048739

Differential Cover Gaskets	
Description	Spicer Part #
High Performance / Reusable	RD52000
Genuine Spicer OE Style	34685

Driveshafts	
Heavy Duty Upgrade - 1310 Series	
Application	Spicer Part #
Front 0-2" Lift (w/ T-Case Yoke & HDW)	10018230
Front 2-4" Lift (w/ T-Case Yoke & HDW)	10020345

Chromoly Axle Shafts - (Inners/Outers)						
Application	Location	Position	Spline	Length (in)	U-Joint Part #	SVL Part #
2007-2014 Jeep Wrangler JK (1350 Series)	Outer	RH/LH	32	6.33"	5-7166X	10015183
2007-2014 Jeep Wrangler JK (1350 Series)	Inner	LH	30	19.78"	5-7166X	10015185
2007-2014 Jeep Wrangler JK (1350 Series)	Inner	RH	30	33.57"	5-7166X	10015186
2007-2014 Jeep Wrangler JK (1350 Series) w/ Aftermarket Locker	Inner	LH	30	19.11"	5-7166X	10014982
2007-2014 Jeep Wrangler JK (1350 Series) w/ Aftermarket Locker	Inner	RH	30	34.19"	5-7166X	10014983

Spicer Life Series (SPL) Premium Performance Universal Joint Kit Packs	
Application	Spicer Part #
Premium Spicer Life Series (1350 Non-Greasable) Rubicon	5-7166X
Premium Spicer Life Series (1310 Greasable) Non-Rubicon	5-760X
Premium Spicer Life Series - Blue (1310 Non-Greasable)	5-760XC
Premium Spicer Life Series - Blue (1350 Non-Greasable Inside Snap Ring)	SPL30-7166XC

Axle Shaft Universal Joint Kits	
Description	Spicer Part #
Premium Spicer Life Series (1350 Non-Greasable) Rubicon	5-7166X
Premium Spicer Life Series (1310 Greasable) Non-Rubicon	5-760X
Premium Spicer Life Series - Blue (1310 Non-Greasable)	5-760XC
Premium Spicer Life Series - Blue (1350 Non-Greasable Inside Snap Ring)	SPL30-7166XC

Performance Adjustable Shocks	
Application	Spicer Part #
Wrangler JK w/ 3-5" Lift (Front)*	2023594
Wrangler JK w/ 3-5" Lift (Rear)*	2023595

\*Sold individually

Dana Ultimate 44 Front Crate Axle (Bolt In Axle Assy)	
Application	Spicer Part #
2007 & Up Jeep Wrangler JK - Front (3.73 Ratio) w/ Electric Locker	10010519
2007 & Up Jeep Wrangler JK - Front (3.73 Ratio) w/ Std. Diff.	10032861
2007 & Up Jeep Wrangler JK - Front (3.73 Ratio) w/ ARB Air Locker	10048820
2007 & Up Jeep Wrangler JK - Front (4.10 Ratio) w/ Electric Locker	10010455
2007 & Up Jeep Wrangler JK - Front (4.10 Ratio) w/ Std. Diff.	10032862
2007 & Up Jeep Wrangler JK - Front (4.10 Ratio) w/ ARB Air Locker	10048821
2007 & Up Jeep Wrangler JK - Front (4.56 Ratio) w/ Electric Locker	10010520
2007 & Up Jeep Wrangler JK - Front (4.56 Ratio) w/ Std. Diff.	10032863
2007 & Up Jeep Wrangler JK - Front (4.56 Ratio) w/ ARB Air Locker	10048822
2007 & Up Jeep Wrangler JK - Front (4.88 Ratio) w/ Electric Locker	10010521
2007 & Up Jeep Wrangler JK - Front (4.88 Ratio) w/ Std. Diff.	10032864
2007 & Up Jeep Wrangler JK - Front (4.88 Ratio) w/ ARB Air Locker	10048823
2007 & Up Jeep Wrangler JK - Front (5.13 Ratio) w/ Electric Locker	10010522
2007 & Up Jeep Wrangler JK - Front (5.13 Ratio) w/ Std. Diff.	10032865
2007 & Up Jeep Wrangler JK - Front (5.13 Ratio) w/ ARB Air Locker	10048824
2007 & Up Jeep Wrangler JK - Front (5.38 Ratio) w/ Electric Locker	10010742
2007 & Up Jeep Wrangler JK - Front (5.38 Ratio) w/ Std. Diff.	10032866
2007 & Up Jeep Wrangler JK - Front (5.38 Ratio) w/ ARB Air Locker	10048825

## Dana 44™ JK Front (216MM) (continued)

Dana Ultimate 60 Crate Axle (Bolt In Axle Assy.)	
Application	Spicer Part #
2007 & Up Jeep Wrangler JK - Front (3.73 Ratio) w/ Electric Locker	10034267
2007 & Up Jeep Wrangler JK - Front (4.10 Ratio) w/ Electric Locker	10034268
2007 & Up Jeep Wrangler JK - Front (4.88 Ratio) w/ Electric Locker	10005778
2007 & Up Jeep Wrangler JK - Front (4.88 Ratio) w/ ARB Air Locker	10033062
2007 & Up Jeep Wrangler JK - Front (5.38 Ratio) w/ Electric Locker	10005777
2007 & Up Jeep Wrangler JK - Front (5.38 Ratio) w/ ARB Air Locker	10033061
2007 & Up Jeep Wrangler JK - Rear (3.73 Ratio) w/ Electric Locker	10034269
2007 & Up Jeep Wrangler JK - Rear (4.10 Ratio) w/ Electric Locker	10034270
2007 & Up Jeep Wrangler JK - Rear (4.88 Ratio) w/ Electric Locker	2023612-1
2007 & Up Jeep Wrangler JK - Rear (4.88 Ratio) w/ ARB Air Locker	10032016
2007 & Up Jeep Wrangler JK - Rear (5.38 Ratio) w/ Electric Locker	10005942
2007 & Up Jeep Wrangler JK - Rear (5.38 Ratio) w/ ARB Air Locker	10032017

Ball Joints	
Description	Spicer Part #
Ball Joint Kit (Upper/Lower Per Side)	2007354
Upper Ball Joint	2005838
Lower Ball Joint	2011892

Misc. Components	
Description	Spicer Part #
RTV Sealant (2.8 oz.)	38615
Friction Modifier/POSI Additive	43161
Inner Pinion Bearing Kit	707064X
Baffle - Pinion Oil	48741-3
Collapsible Spacer	50614
Outer Pinion Bearing Kit	706015X
Pinion Bearing Slinger - Outer	2005565
Pinion Oil Seal	2004670
Pinion Nut	44189
Carrier Cover Bolts	34279
Differential Bearing Kit	2007293
Diff. Bearing Shim Kit	2007294
Inner C / Tube Yoke	10025543‡
Axle Locker Sensor	2004882
Steering Knuckle - Right	10029729
Steering Knuckle - Left	10029730
Wheel Hub Assy.	10021363
Companion Flange Assy. - Front Axle	2005008
Transfer Case End Yoke (1310 Series)	10016266†
Axle Shaft Nut	2008564
Axle Seal - Original Design	54381
Axle Seal - Upgraded Design	2013455*

\* New design includes integrated axle guide to reduce seal damage during install and three sealing lips compared to one on original  
 † Replaces OE-style companion flange at transfer case  
 ‡ Aftermarket optimized design

## Dana 44™ AdvanTEK JL Front (210MM)

Applications		
Year	Make	Model
2018 & Newer	Jeep	Wrangler JL Sport/Sahara with 3.0L Dsl Enginer
2018 & Newer	Jeep	Wrangler JL Rubicon

Ring & Pinions	
Ratio	Spicer Part #
3.73	10046055
4.10	10048087
4.56	10050939
4.88	10051746
5.13	10051004
5.38	10050979

\* Includes Ring Gear Bolts & Pinion Nut

Differential Rebuild Kits	
Description	Spicer Part #
Standard Differential Rebuild Kit	10040468
Master Overhaul Kit	10040469

Carrier Case Inner Gear Kits	
Application	Spicer Part #
2018 & Newer Jeep Wrangler JL - Std. Diff.	10067836

Differential Carrier Cases	
Application	Spicer Part #
2018 & Newer Jeep Wrangler JL - Std. Diff.	10067838

All cases come loaded with gearing unless otherwise noted.

Nodular Iron Performance Differential Cover Kits	
Description	Spicer Part #
Nodular Iron - Performance (w/ HDW & RTV Sealant)	10044799
Dana Blue Performance Cover (w/ HDW & RTV Sealant)	10053466

Axle Shaft Universal Joint Kits	
Description	Spicer Part #
Premium Spicer Life Series (1350 Non-Greasable)	5-7166X
Premium Spicer Life Series - Blue (1350 Non-Greasable)	5-7166XC
Premium Spicer Life Series (1410 Non-Greasable)	5-1410X

The Ultimate Dana 60™ Crate Axle (Bolt In Axle Assy. For JL)	
Application	Spicer Part #
Ultimate Dana 60 Front Crate Axle for Jeep JL 3.73 Ratio w/ Electronic Locker	10056042
Ultimate Dana 60 Front Crate Axle for Jeep JL 4.10 Ratio w/ Electronic Locker	10056043
Ultimate Dana 60 Front Crate Axle for Jeep JL 4.88 Ratio w/ Electronic Locker	10056032
Ultimate Dana 60 Front Crate Axle for Jeep JL 5.38 Ratio w/ Electronic Locker	10056030
Ultimate Dana 60 Rear Crate Axle for Jeep JL 3.73 Ratio w/ Electronic Locker	10048757
Ultimate Dana 60 Rear Crate Axle for Jeep JL 4.10 Ratio w/ Electronic Locker	10048758
Ultimate Dana 60 Rear Crate Axle for Jeep JL 4.88 Ratio w/ Electronic Locker	10048764
Ultimate Dana 60 Rear Crate Axle for Jeep JL 5.38 Ratio w/ Electronic Locker	10048784

Misc. Components	
Description	Spicer Part #
RTV Sealant (2.8 oz.)	38615
Friction Modifier/POSI Additive	43161
Inner Pinion Bearing Kit	10040470
Outer Pinion Bearing Kit	10040461
Pinion Shim Kit	10040475
Differential Bearing Kit	10067828
Diff. Bearing Shim Kit	10040476
Collapsible Spacer	10008364
Pinion Nut	2009625
Ring Gear Bolts	10008806
Ring Gear Bolts - 10 pk	10040474
Pinion Oil Seal	10010013
Carrier Cover Bolts	10050881
Carrier Cover Bolts - 12 pk	10062575
Wheel Hub Assy.	10073674
Axle Shaft Nut	2008564
Axle shaft snap ring	10025587
Axle Shaft Tube Guide	10019730
Axle Shaft Deflector	10062341
FAD Removal Spacer Kit	10045078
Companion Flange Assy	10009588
Transfer Case End Yoke (1310 Series)	10016266†
Transfer Case End Yoke (1350 Series)	10016268†

† Replaces OE Style Companion Flange at Transfer Case

Chromoly Axle Shafts			
Application	Description	Spicer Part # Right	Spicer Part # Left
2018 & Newer Jeep Wrangler JL - Std. Diff.	Shaft and Joint Assembly	10044431	10044419
2018 & Newer Jeep Wrangler JL - Std. Diff.	Inner Axle Shaft	10044425	10044460
2018 & Newer Jeep Wrangler JL - Wide Track with Electronic Locking Diff.	Shaft and Joint Assembly	10044432	10044422
2018 & Newer Jeep Wrangler JL - Wide Track with Electronic Locking Diff.	Inner Shaft	10044466	10044464
2018 & Newer Jeep Wrangler JL	Outer Axle Shaft	10044478	10044478
2018 & Newer Jeep Wrangler JL - Std. Diff.	Shaft and Joint Assembly Left and Right Kit (Includes FAD Removal Kit)		10044469
2018 & Newer Jeep Wrangler JL - Wide Track with Electronic Locking Diff.	Shaft and Joint Assembly Left and Right Kit (Includes FAD Removal Kit)		10044474
2018 & Newer Jeep Wrangler JL - Std. Diff.	Shaft and Joint Assembly Left and Right Kit		10044458
2018 & Newer Jeep Wrangler JL - Wide Track with Electronic Locking Diff.	Shaft and Joint Assembly Left and Right Kit		10044459

Axle Shafts			
Application	Description	Spicer Part # Right	Spicer Part # Left
2018 & Newer Jeep Wrangler JL - Std. Diff.	Shaft and Joint Assembly	10025729	10025731
2018 & Newer Jeep Wrangler JL - Std. Diff.	Outer Shaft	10025733	10025733
2018 & Newer Jeep Wrangler JL - Wide Track with Electronic Locking Diff.	Shaft and Joint Assembly	10027942	10027941
2018 & Newer Jeep Wrangler JL - Wide Track with Electronic Locking Diff.	Outer Shaft	10025733	10025733

## Dana 44™ AdvanTEK Rear JL (220MM)

Applications		
Year	Make	Model
2018 & Newer	Jeep	Wrangler JL Sport/Sahara w/ Trac-Lok Limited Slip Rear Differential
2018 & Newer	Jeep	Wrangler JL Rubicon

Ring & Pinions	
Ratio	Spicer Part #
3.45	10062926
3.73	10062017
4.10	10062033
4.56	10067141
4.88	10073110
5.13	10067157
5.38	10067204

Differential Rebuild Kits	
Description	Spicer Part #
Standard Differential Rebuild Kit	10040477
Master Overhaul Kit	10040478

Differential Carrier Cases	
Application	Spicer Part #
2018 & Newer Jeep Wrangler JL - Std. Diff.	10071983
2018 & Newer Jeep Wrangler JL - Trac-Lok Diff.	10071926

*All cases come loaded with gearing unless otherwise noted.*

Carrier Case Inner Gear Kits	
Application	Spicer Part #
2018 & Newer Jeep Wrangler JL - Std. Diff.	10071981
2018 & Newer Jeep Wrangler JL - Trac-Lok Diff.	10071921

### Differential Cover Kits

Description	Spicer Part #
Sampled Steel Cover Kit (w/ HDW)	10071956
Nodular Iron - Performance (w/ HDW & RTV Sealant)	10040651
Dana Blue Performance Cover (w/ HDW & RTV Sealant)	10053468

Chromoly Axle Shafts		
Application	Location	Spicer Part #
2018 & Newer Jeep Wrangler JL - Open and Trac-Lok	Left	10043059
2018 & Newer Jeep Wrangler JL - Open and Trac-Lok	Right	10043059
2018 & Newer Jeep Wrangler JL - Open and Trac-Lok	Left/Right	10043086
2018 & Newer Jeep Wrangler JL - Wide Track E Locker	Left	10043168
2018 & Newer Jeep Wrangler JL - Wide Track E Locker	Right	10043169
2018 & Newer Jeep Wrangler JL - Wide Track E Locker	Left/Right	10043179

Misc. Components	
Description	Spicer Part #
RTV Sealant (2.8 oz.)	38615
Friction Modifier/POSI Additive	43161
Inner Pinion Bearing Kit	10040470
Other Pinion Bearing Kit	2014578-2
Pinion Bearing Shim Kit	10040475
Differential Bearing Kit	10040472
Differential Bearing Shim Kit	10040476
Collapsible Spacer	10008361
Pinion Seal	10039487
Companion Flange	10020110
Pinion Nut	2009625
Transfer Case End Yoke (1310 Series)	10016266†
Transfer Case End Yoke (1350 Series)	10016268†
Differential Cover Bolts	10050881
Ring Gear Bolts	10008806
Ring Gear Bolts - 10 pk	10040474
Wheel Bearing Assy.	565903-1
Outboard Axle Shaft Seal	10026762
Axle Shaft Bolt	10047625

*† Replaces OE Style Companion Flange at Transfer Case*

## Dana Super 44™ JK Rear (226MM)

Applications		
Year	Make	Model
2007-2015	Jeep	Wrangler

Ring & Pinions		
Ratio	Spicer Part #	SVL Part #
3.21	2007774	-
3.73	2008688	-
4.10	2007772	-
4.56	2018737	2020746
4.88	2018747	2020749
5.13	2018756	2020752
5.38	10027182	10012316

Differential Rebuild Kits	
Standard Differential Rebuild Kit	
Application	Spicer Part #
Wrangler JK Non-Rubicon	2017086
Wrangler JK Rubicon	2017087
Master Overhaul Kit	
Application	Spicer Part #
2008-2015 Wrangler JK Rubicon	2017110
2008-2015 Wrangler JK Non-Rubicon	2017109
2007 Wrangler JK Non-Rubicon	2017102
2007 Wrangler JK Rubicon	2017103

Differential Carrier Cases	
Application	Spicer Part #
JK Std. Differential	2008572
JK Trac-Lok Limited Slip	2008571
JK Rubicon Electric Locker	2008559
JK Rubicon Electric Locker Solenoid Assy.	2005193

*All cases come loaded with gearing unless otherwise noted*

Carrier Case Inner Gear Kits	
Application	Spicer Part #
JK Std. Differential	2009155
JK Trac-Lok Limited Slip Clutch & Plate Kit	2007326

Differential Cover Kits	
Description	Spicer Part #
Stamped Steel Cover Kit (w/ HDW)	707111X
Stamped Steel (Cover Only)	42960-1
Nodular Iron - Performance (w/ HDW)	10023536
Dana Blue Performance Cover w/ HDW	10048739

Differential Cover Gaskets	
Description	Spicer Part #
High Performance / Reusable	RD52000
Genuine Spicer OE Style	34685

Chromoly Axle Shafts						
Application	Location	Spline	Length (in)	Spicer Part #	OE Part #	Hollander Part #
Wrangler JK Rubicon	Right	32	31.19	10038828	68003557AA	447-267
Wrangler JK Rubicon	Left	32	32.56	10038829	68003558AA	447-266
Wrangler JK Non-Rubicon	Right/Left	30	31.89	10038830	68003272AA	447-268

Axle Shafts		
Application	Spicer Part # Right	Spicer Part # Left
Wrangler JK Rubicon	2004785-3	2004785-2
Wrangler JK Non-Rubicon	2004449-1	2004449-1

Driveshafts	
Heavy Duty Upgrade - 1310 Series	
Application	Spicer Part #
Front 0-2' Lift (w/ T-Case Yoke & HDW)	10018230
Front 2-4' Lift (w/ T-Case Yoke & HDW)	10020345

Spicer Life Series (SPL) Premium Performance Universal Joint Kit Packs	
Application	Spicer Part #
2007-2011 JK w/ Aftermarket 1310 Driveshafts w/ CV Front Driveshaft	SPL1014JK
2007-2011 JK w/ Aftermarket 1350 Driveshafts w/ CV Front Driveshaft	SPL1029JK
2012-2015 JK w/ Aftermarket 1310 Driveshafts w/ CV Front Driveshaft	SPL1028JK
2012-2015 JK w/ Aftermarket 1350 Driveshafts w/ CV Front Driveshaft	SPL1030JK

Performance Adjustable Shocks	
Application	Spicer Part #
Wrangler JK w/ 3-5" Lift (Front)*	2023594
Wrangler JK w/ 3-5" Lift (Rear)*	2023595

*\* Sold individually*

Misc. Components	
Description	Spicer Part #
RTV Sealant (2.8 oz.)	38615
Friction Modifier/POSI Additive	43161
Inner Pinion Bearing Kit	707064X
Other Pinion Bearing Kit	706123X
Collapsible Spacer	46925
Pinion Thrust Washer	42737
Pinion Seal	2004101
Companion Flange	2004431
Pinion Nut Washer	30275
Pinion Nut	2001153
T-Case Yoke (1310 - 1/2 Round) *	10016266
Differential Cover Bolts	34279
Ring Gear Bolt-7/16" (15/16" long)	701125-1X
Ring Gear Bolt-7/16" (3/4" long)	701071-10
Ring Gear Bolt-1/2" (31/32" long)	703034
Carrier Case Cross Shaft (Std./Trac-Lok)	47658
Wheel Bearing Retainer	36797
Wheel Bearing Assy.	565903
Outboard Axle Shaft Seal	52765
Axle Shaft Oil Seal Retainer	2004703
Axle Shaft Bolt	2004789
Axle Locker Sensor	2004882
ABS Tone Ring	2004403

*\* Replaces OE-style companion flange*

## Dana 44™ Reverse Rotation Front (216MM)

Applications		
Year	Make	Model
1978-1979	Ford	Bronco
1975-1979	Ford	F-250
1966-1979	Ford	F-150
1995-2001	Dodge	W 1500

Ring & Pinions		
Ratio	Spicer Part #	SVL Part #
3.54	-	10001714
3.73	-	2020799
4.09	24649-5X*	2020455
4.56	-	10001294
4.88	-	2019335
5.13	-	2020452
5.38	-	2020458

\* Includes ring gear bolts & pinion nut

Differential Carrier Cases	
Description	Spicer Part #
Trac-Lok Limited Slip 3.92& Up (30 Spline)	707150X
Std./Open W1500 3.73 & Down	707021-1X
Std./Open W1500 3.73 & Down (Unloaded Case)	706024X

Carrier Case Inner Gear Kits	
Description	Spicer Part #
Std./Open W1500	707025-1X

All cases come loaded with gearing unless otherwise noted

Differential Cover Kits	
Description	Spicer Part #
Stamped Steel Cover Kit (w/ HDW)	707014X
Nodular Iron - Performance (w/ HDW)	10023536
Dana Blue Performance Cover w/ HDW	10048739

Differential Cover Gaskets	
Description	Spicer Part #
High Performance / Reusable	RD52000
Genuine Spicer® OE Style	34685

Front Axle Shafts			
Application	Right Spicer Part #	Left Spicer Part #	
1978-1979 Bronco, 1973-1979 F-150 (Inner)	27902-3X	27902-4X	
1974-1979 Wagoneer, 1974 Ramcharger, 1972-1974 Dodge W100, 1971-1979 Bronco, 1971-1979 F150/250, 1974-1976 Wagoneer (Outer)	620200	620200	
1977-1979 F250 & F150 Super Cab (Inner)	27902-35X	27902-31X	
1980-1986 F150 & Bronco (Outer)	39905	39905	

Chromoly Axle Shafts - (Inners/Outers)							
Application	Location	Position	Spline	Length (in)	U-Joint Part #	SVL Part #	
1969-1977 Blazer, 1969-1980 K10/K1500, 1969-1980 K20/K2500, 1969-1980 K5 Blazer, 1969-1980 Suburban, 1974-1992 Wagoneer	Outer	RH/LH	19	9.94"	5-760X	10007802	
1978-1979 Bronco, 1971-1979 F-150, 1979 F-250	Outer	RH/LH	19	9.72"	5-760X	10007803	
1976-1977 F250	Outer	RH/LH	19	10.66"	5-760X	10008247	
1976-1978 F-150, F-250	Inner	LH	30	18.63"	5-760X	10008249	
1976-1978 F-150, F-250	Inner	RH	30	34.75"	5-760X	10008248	
1978-1979 Bronco, 1973-1979 F-150	Inner	LH	30	18.92"	5-760X	10007805	
1978-1979 Bronco, 1973-1979 F-150	Inner	RH	30	33.91"	5-760X	10007806	
1985-1989 D600 Export 1972-1974 Ramcharger & Trailduster	Inner	RH	30	18.39"	5-760X	10007800	

Axle Shaft Universal Joint Kits	
Description	Spicer Part #
Premium Spicer Life Series® (1310 Non-Greasable)	5-760X
Premium Spicer Life Series® - Blue (1310 Non-Greasable)	5-760XC

Ball Joints	
Description	Spicer Part #
Ball Joint Kit (Upper/Lower Per Side) Solid Axle	706116X

Misc. Components	
Description	Spicer Part #
Friction Modifier/POSI Additive	43161
RTV Sealant (2.8 oz.)	38615
Front Inner Axle Seal - 1977 & Earlier F-100/F-150/Bronco	620216
Front Inner Axle Seal - 1979 & Earlier F250 Open Knuckle	620216
Front Inner Axle Seal - 1978-1979 F-150 & Bronco	620257
Differential Carrier Bearings	706032X
Outer Pinion Bearing	706030X
Inner Pinion Bearing	706031X
Inner Pinion Bearing 1995-1996 F-150 & Bronco	706015X
Powr-Lok Clutch Kit	22233X
Trac-Lok Clutch Kit	708203
Differential & Pinion Bearing Shim Kit	706358X
Pinion Bearing Shim Kit	706358X
Pinion Oil Seal	44895
Pinion Nut	30185

Pinion Yokes	
Description	Spicer Part #
1310 Series - U-Bolt Style	2-4-8091X
1310 Series - Bolt & Strap Style	2-4-8091-1X
1330 Series - Bolt & Strap Style	2-4-3581-1X

Universal Joint Kit Hardware	
Description	Spicer Part #
1310 Series - U-Bolt Style	2-94-28X
1210/1310/1330 Series - Bolt & Strap	2-70-18X
1330 Series - Bolt & Strap	2-70-28X
1330 Series - U-Bolt Style	2-94-58X
1350 Series - U-Bolt Style	3-70-28X



## Dana 44™ Rear (WK/WJ/XK)

Applications		
Year	Make	Model
1999-2004	Jeep	Grand Cherokee WJ
2005-2008	Jeep	Grand Cherokee WK
2006-2008	Jeep	Commander XK

Ring & Pinions		
Ratio	Spicer Part #	Application Notes
3.55	84073-5†	3/2000-2004 WJ w/ 7/16" Ring Gear Bolts
3.73	76542-5X†	99-3/2000 WJ w/ 3/8" Ring Gear Bolts
3.73	84212-5†	3/2000-2004 WJ w/ 7/16" Ring Gear Bolts
3.73	2003488-5†	2005-2008 WK, 2006-2008 XK
3.91	84213-5†	3/2000-2004 WJ w/ 7/16" Ring Gear Bolts

\* Includes HDW, bearings, seals, shims, spacer  
 † Includes nut and ring gear bolts only

Differential Rebuild Kits	
Standard Differential Rebuild Kit	
Application	Spicer Part #
1999-2000 Grand Cherokee WJ w/ 7/16" Ring Gear Bolts	2017081
2000-2004 Grand Cherokee WJ	2017082
Master Overhaul Kit	
Application	Spicer Part #
1999-3/2000 Grand Cherokee WJ w/ 7/16" Ring Gear Bolts	2017092
3/2000-2004 Grand Cherokee WJ	2017093

Differential Carrier Cases	
Application	Spicer Part #
1999-2000 Grand Cherokee WJ w/ 3/8" Ring Gear Bolts (Std.)	707382X
2000-2004 Grand Cherokee WJ w/ 7/16" Ring Gear Bolts (Std.)	708107
2000-2004 Grand Cherokee WJ w/ 7/16" Ring Gear Bolts (Trac-Lok)	708108
2000-2004 Grand Cherokee WJ w/ 7/16" Ring Gear Bolts (Hydra Lok)	84084
2005-2008 Grand Cherokee WK, Commander XK (Std.)	2005084

All cases come loaded with gearing unless otherwise noted

Carrier Case Inner Gear Kits	
Application	Spicer Part #
1999-2004 Grand Cherokee WJ (Std.)	707384X
1999-2004 Grand Cherokee WJ (Trac-Lok)	707385X
2005-2010 Grand Cherokee WK, Commander XK (Std.)	2005085

Axle Shafts							
Application	Location	Spline	Length (in)	Spicer Part #	SVL Part #	OE Part #	Hollander Part #
1999-2004 Grand Cherokee WJ (Std., Trac-Lok)	RH	30	30.44"	76454-3X	-	5012850AA	447-2705R
1999-2004 Grand Cherokee WJ (Std., Trac-Lok)	LH	30	31.44"	76454-4X	-	5012851AA	447-2706L
1999-2004 Grand Cherokee WJ (Hydra Lok)	RH	30	29.38"	76454-1X	2023686-6	5012872AA	447-2703R
1999-2004 Grand Cherokee WJ (Hydra Lok)	LH	30	32.38"	76454-2X	2022608	5012873AA	447-2704L
2005-2010 Grand Cherokee WK, Commander XK (Std.)	RH	30	30.89"	2003906-1	-	5183528AA	447-2872R
2005-2010 Grand Cherokee WK, Commander XK (Std.)	LH	30	32.37"	2003906-2	-	5183529AA	447-2873L

Differential Cover Gaskets	
Description	Spicer Part #
Genuine Spicer OE Style (RTV)	38615

Spicer Life Series (SPL) Premium Performance Universal Joint Kit Packs	
Application	Spicer Part #
1994-1998 Grand Cherokee ZJ (w/ 2 Inside and 2 Outside Snap Rings)	SPL1013JK
1994-1998 Grand Cherokee ZJ (w/ 4 Outside Snap Rings)	SPL1014JK
1994-1998 Grand Cherokee ZJ (w/ 4 Inside Snap Rings, 7290 Series)	SPL1015JK
1999 Grand Cherokee WJ	SPL1014JK
2000 Grand Cherokee WJ	SPL1016JK
2001-2003 Grand Cherokee WJ (4.7L Engine w/o Selec-Trac)	SPL1016JK
2001-2003 Grand Cherokee WJ (4.7L Engine w/Selec-Trac)	SPL1017JK
2004 Grand Cherokee WJ (4.7L Engine)	SPL1016JK

Misc. Components	
Description	Spicer Part #
RTV Sealant (2.8 oz.)	38615
Friction Modifier/POSI Additive	43161
Inner Pinion Bearing Kit (1999-2004 Grand Cherokee WJ)	707064X
Inner Pinion Bearing Kit (2005-2008 Grand Cherokee WK, Commander XK)	2005899
Outer Pinion Bearing Kit	706123X
Collapsible Spacer (1999-2004 Grand Cherokee WJ)	43916
Collapsible Spacer (2005-2008 Grand Cherokee WK, Commander XK)	46925
Pinion Seal (Refer to BOM)	54458, 2004101, 47885, 2009802
Pinion Nut Washer	30275
Pinion Nut	30271
Differential Cover Bolts	34279
Wheel Bearing Retainer (1999-2004 Grand Cherokee WJ)	49766
Outer Wheel Seal (1999-2004 Grand Cherokee WJ)	35938
Trac-Lok Rebuild Kit	707018X

## Ultimate Dana 44™ JK

Applications		
Year	Make	Model
2007 & Newer	Jeep	Wrangler (JK)

Ring & Pinions		
Ratio	Spicer Part #	SVL Part #
3.73	2013742-5*	-
4.10	2005024-5*	-
4.56	2019746	10010200
4.88	2019749	10010203
5.13	2019752	10010206
5.38	10010738	10010209

\* Includes ring gear bolts & pinion nut

Differential Rebuild Kits	
Description	Spicer Part #
Standard Differential Rebuild Kit	2017088
Master Overhaul Kit	2017106

Differential Carrier Cases	
Locker Type	Spicer Part #
JK Rubicon Electric Locker	2007503
JK Rubicon Electric Locker Solenoid Assy.	2005193
ARB Air Locker	10048896
Std./Open Differential	10029609

All cases come loaded with gearing unless otherwise noted

Differential Cover Kits	
Description	Spicer Part #
Stamped Steel Cover Kit (w/ HDW)	708175
Nodular Iron - Performance (w/ HDW)	10023536

Differential Cover Gaskets	
Description	Spicer Part #
High Performance / Reusable	RD52000
Genuine Spicer OE Style	34685

Chromoly Axle Shafts - (Inners/Outers)				
Application	Location	Position	U-Joint Part #	Spicer Part #
Ultimate Dana 44 Crate Axle	Outer	RH/LH	5-7166X	10015183
Jeep Wrangler JK (1350 Series) with ARB Air Locker	Inner	RH	5-7166X	10033855
Jeep Wrangler JK (1350 Series) with ARB Air Locker	Inner	LH	5-7166X	10033856
Jeep Wrangler JK (1350 Series) with Electronic Locking Diff	Inner	RH	5-7166X	10015186
Jeep Wrangler JK (1350 Series) with Electronic Locking Diff	Inner	LH	5-7166X	10015185

Chromoly Axle Shafts - (Complete Assemblies)				
Application	Location	Position	U-Joint Part #	Spicer Part #
Jeep Wrangler JK (1350 Series) with ARB Air Locker	Shaft and Joint Assy.	RH	5-7166X	10033857
Jeep Wrangler JK (1350 Series) with ARB Air Locker	Shaft and Joint Assy.	LH	5-7166X	10033858
Jeep Wrangler JK (1350 Series) with Electronic Locking Diff	Shaft and Joint Assy.	RH	5-7166X	10033860
Jeep Wrangler JK (1350 Series) with Electronic Locking Diff	Shaft and Joint Assy.	LH	5-7166X	10033859

Driveshafts	
Heavy Duty Upgrade - 1310 Series	
Application	Spicer Part #
Front 0-2" Lift (w/ T-Case Yoke & HDW)	10018230
Front 2-4" Lift (w/ T-Case Yoke & HDW)	10020345

Spicer Life Series (SPL) Premium Performance Universal Joint Kit Packs	
Application	Spicer Part #
2007-2011 JK w/ Aftermarket 1310 Driveshafts w/ CV Front Driveshaft	SPL1014JK
2007-2011 JK w/ Aftermarket 1350 Driveshafts w/ CV Front Driveshaft	SPL1029JK
2012-2015 JK w/ Aftermarket 1310 Driveshafts w/ CV Front Driveshaft	SPL1028JK
2012-2015 JK w/ Aftermarket 1350 Driveshafts w/ CV Front Driveshaft	SPL1030JK

Axle Shaft Universal Joints	
Description	Spicer Part #
Premium Spicer Life Series (1350 Non-Greasable)	5-7166X
Premium Spicer Life Series (1350 Greasable)	5-1350-1X
Premium Spicer Life Series - Blue (1310 Non-Greasable)	5-760XC
Premium Spicer Life Series - Blue (1350 Non-Greasable Inside Snap Ring)	SPL30-7166XC

Performance Adjustable Shocks	
Application	Spicer Part #
Wrangler JK w/ 3-5" Lift (Front)*	2023594
Wrangler JK w/ 3-5" Lift (Rear)*	2023595

\*Sold individually

Ball Joints	
Description	SVL Part #
Ball Joint Kit (Upper/Lower Per Side)	2007354

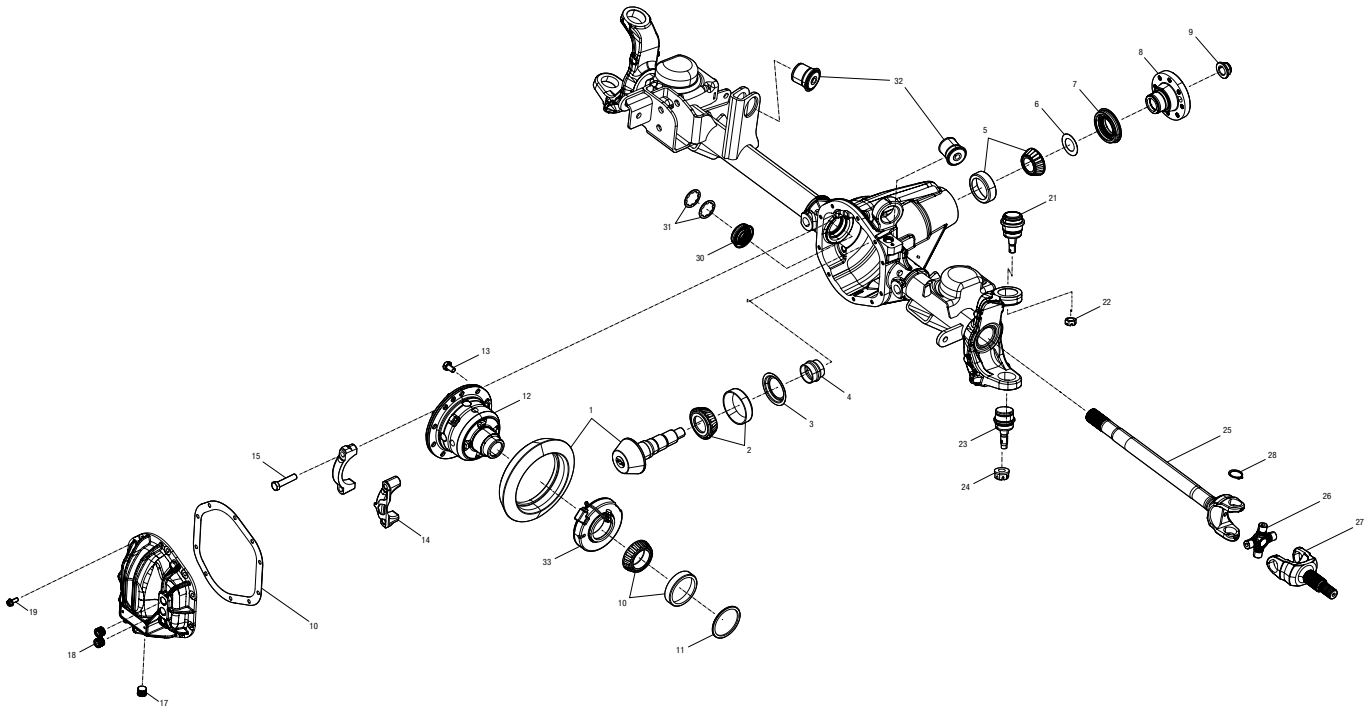
Misc. Components	
Description	Spicer Part #
RTV Sealant (2.8 oz.)	38615
Friction Modifier/POSI Additive	43161
Inner Pinion Bearing Kit	707064X
Baffle - Pinion Oil	48741-3
Collapsible Spacer	50614
Outer Pinion Bearing Kit	706015X
Pinion Bearing Slinger - Outer	2005565
Pinion Oil Seal	2004670
Pinion Nut	44189
Carrier Cover Bolts	34279
Differential Bearing Kit	2007293
Diff. Bearing Shim Kit	2007294
Wheel Hub Assy.	10021363
Companion Flange Assy - Front Axle	2005008
Transfer Case End Yoke (1310 Series)	10016266†
Axle Shaft Nut	2008564
Axle Seal - Original Design	54381
Axle Seal - Upgraded Design	2013455*

\* New design includes integrated axle guide to reduce seal damage during install and three sealing lips compared to one on original  
† Replaces OE-style companion flange at transfer case

**UD44 JK**

Item	Part #	Description
1	*See Chart Page 28 for Options	Ring and Pinion
2	707064X	Inner Pinion Bearing Kit
3	48741-3	Pinion Oil Baffle
4	50614	Collapsible spacer
5	706015X	Outer Pinion Bearing Kit
6	2005565	Pinion Bearing Slinger - Outer
7	2004670	Pinion Oil Seal
8	2005008	Companion Flange Assembly
9	44189	Pinion Nut
10	2007293	Differential Side Bearing Kit
11	2007294	Differential Bearing Shim Kit
12	*See Chart Page 28 for Options	Differential Case Assembly
13	49242-2	Ring Gear Bolt (Qty 10)
14	2004548	Bearing Cap
15	48632-1	Bearing Cap Bolt
16	RD52000	Differential Cover Gasket
17	2001762	Differential Cover Drain Plug

Item	Part #	Description
18	43180	Differential Cover Fill Plug (Qty 2)
19	34279	Differential Cover Bolt (Qty 10)
20	10023536	Differential Cover Assembly
21	2005838	Upper Socket Assembly
22	40584	Upper Ball Joint Nut
	50024-6	Cotter Pin (Not Shown)
23	2011892	Lower Socket Assembly
24	43682	Lower Ball Joint Nut
25	*See Chart Page 28 for Options	Inner Axle Shaft
26	5-7166X	Universal Joint
27	*See Chart Page 28 for Options	Outer Axle Shaft
28	3-7-99	Snap Ring
29	*See Chart Page 28 for Options	Shaft and Joint Assembly
30	2013455	Seal
31	2010374	Axle Shaft Guide
32	2006249	Bushing



## Dana 44™ Nissan

Applications		
Year	Make	Model
2003-2008	Nissan	Armada
2004-2012	Nissan	Frontier
2003-2007	Nissan	Pathfinder
2003-2012	Nissan	Titan
2005-2012	Nissan	Xterra

Ring & Pinions	
Ratio	Spicer Part #
2.94	2002551-5†
3.13	2002561-5†
3.36	2002556-5†
3.54	2002566-5†
3.69	2006272-5†

† Includes nut and ring gear bolts only

Note: Pinions are 24 spline. Some original gears sets may be 29 spline. If this is the case, contact tech service with axle BOM number to identify proper replacement flange.

Differential Carrier Cases	
Application	Spicer Part #
2003-2012 All Nissan (E-Locker) (loaded case)	2016950

Differential Cover Kits	
Application	Spicer Part #
2005-2012 Frontier, Pathfinder, Xterra, Titan*	2016953
2003-2012 Nissan Armada, Pathfinder Titan*	2003409

\*Refer to BOM

Axle Shafts		
Application	Spicer Part # Right	Spicer Part # Left
2004-2007 Titan, Pathfinder, Armada (Excl. E-Locker)	84776-1	84776-1
2008-2012 Titan (Excl. E-Locker)	2005994-1	2005994-1
2007-2012 Titan (w/ E-Locker)	2006070-1	2006070-2

Misc. Components	
Description	Spicer Part #
RTV Sealant (2.8 oz.)	38615
Friction Modifier/POSI Additive	43161
Inner Pinion Bearing Kit	706046X
Other Pinion Bearing Kit	706123X
Collapsible Spacer	46925
Companion Flange (2003-2012 Titan, 2003-2008 Armada, 2005-2012 Frontier, 2003-2007 Pathfinder)	2006269
Pinion Nut Washer	30275
Pinion Nut	30271
Differential Cover Bolts	34279
Ring Gear Bolt	2003431
Wheel Bearing Retainer (refer to BOM)	36797
Wheel Bearing Retainer (refer to BOM)	35961
Wheel Bearing Assy. (refer to BOM)	565903
Wheel Bearing Assy. (refer to BOM)	565904
Outboard Axle Shaft Seal (2003-2007 Titan, 2003-2008 Armada, 2005-2012 Frontier, 2003-2007 Pathfinder-refer to BOM)	52765
ABS Tone Ring (refer to BOM)	2001331
ABS Tone Ring (refer to BOM)	55466

## Dana 50™

Applications		
Year	Make	Model
1999-2005	Ford	F-250/F-350 Super Duty, Excursion
1980-2002	Ford	F-250/F-350 IFS Front

Ring & Pinions		
Ratio	Spicer Part #	SVL Part #
3.54	-	10001304
3.73	76127-5X†	10001307
4.10	660319-5†	10001310
4.30	76136-5X†	2020927
4.56	-	2020930
4.89	-	2020933
5.13	-	2020924
5.38	-	2020936

\* Includes HDW, bearings, seals, shims, spacer  
 † Includes nut and ring gear bolts only

Differential Rebuild Kits	
Standard Differential Rebuild Kit	
Application	Spicer Part #
Ford Excursion 2000-2005	10043631
Ford 1 Ton Truck 1980-2002	10043631
Ford 3/4 Ton Truck 1980-2002	10043631
Master Overhaul Kit	
Application	Spicer Part #
Ford Excursion 2000-2005	10043632
Ford 1 Ton Truck 1980-2002	10043632
Ford 3/4 Ton Truck 1980-2002	10043632

Carrier Case Inner Gear Kits	
Description	SVL Part #
Std./Open (30 Spline)	10005774

Front Axle Shafts	
Description	Spicer Part #
Dana 50™ - Outer	44449

Ball Joints	
Description	Spicer Part #
Ball Joint Kit (Upper/Lower Joints) 1999-2004 Super Duty	700238-2X†

† Kit includes one upper ball joint and one lower ball joint

**Dana 50™ (continued)**

**Dana 60™ Std. Rotation**

Misc. Components	
Description	Spicer Part #
RTV Sealant (2.8 oz.)	38615
Friction Modifier/POSI Additive	43161
Pkg. - Shim Kit 1999-2002 F-250/F-350	701160X
Pkg. - Shim Kit 1980-1998 F-250/F-350	707235X
Inner Pinion Bearing Kit	706015X
Outer Pinion Bearing Kit	706030X
Carrier Bearing	700097
Collapsible Spacer (1999-2002 F-250/F-350)	44896
Pinion Seal (1980-1998 F-250/F-350)	44895
Pinion Seal (1998-2000 F-250/F-350)	50092
Pinion Seal (2000-2002 F-250/F-350)	50531
Pinion Nut Washer	30186
Pinion Nut	30185
Differential Cover Bolts (1999-2002 F-250/F-350)	47508-2
Ring Gear Bolt	45784
Carrier Case Cross Shaft (Std.)	620414
Inner Axle Shaft Seal (1999-2002 F-250/F-350, Triple Lip Seal)	52148
Inner Axle Shaft Seal (1999-2002 F-250/F-350, Single Lip Seal)	36487
Inner Axle Shaft Seal (1980-1998 F-250/F-350)	40710
Inner Axle Shaft Seal Inner (1980-1982 F-250/F-350)	35938
Inner Axle Shaft Seal Inner (1983-1998 F-250/F-350)	40773
Outboard Axle Shaft Seal Inner (1999-2002 F-250/F-350)	50381
Outboard Axle Shaft Seal Outer (1999-2002 F-250/F-350)	50491
Outboard Axle Shaft Seal (1980-1988 F-250/F-350) LH	37311
Outboard Axle Shaft Seal (1989-1998 F-250/F-350)	50381
Snap Ring - Hub	620142

Pinion Yokes		
Application	Description	Spicer Part #
1999-2002 F-250/F-350 (26 Spline 1.550" Hub Dia. 3.000" C/L to End 1350 Series)	End Yoke	3-4-13761-1
1980-1998 F-250/F-350 (26 Spline 1.562" Hub Dia. 3.000" C/L to End 1330 Series)	End Yoke	2-4-6111X

Applications		
Year	Make	Model
1967-1972	Chevy	C-10 (2WD)
1965-1974	Chevy	C-20/C-30 (Rear)
2003-2013	Chevy	Express Van (3/4 Ton)
1968-1972	Chevy	G10 (1/2 Ton)
1979-1987	Chevy	G30 (1 Ton)
1967-1982	Chevy	K10/K1500 (4WD)
1977-1991	Chevy	K30/K3500 (4WD)
1967-1972	Chevy	Suburban (1/2 Ton)
1964-1972	Chevy	Suburban (3/4 Ton)
1973-1991	Chevy	1 Ton Truck
1967-1972	Chevy	3/4 Ton Truck
1980-1991	Chevy	1 Ton Van
1970-1981	Dodge	B100/B200 Van
1981-1994	Dodge	B250 Van
1995-1998	Dodge	B2500 Van
1970-1980	Dodge	B300 Van
1981-1994	Dodge	B350 Van
1995-1998	Dodge	B3500 Van
1970-1971	Dodge	Challenger
1966-1974	Dodge	Charger
1966	Dodge	Coronet
1960-1980	Dodge	D200/D300 (2WD)
1965-1983	Dodge	D250/D350 (2WD)
1968-1977	Dodge	Dart
1960-2008	Dodge	1 Ton Truck
1961-2008	Dodge	3/4 Ton Truck
1971-2008	Dodge	1 Ton Van
1994-2002	Dodge	Ram 2500/3500 (Front)
1971-2003	Dodge	Ram Van 2500/3500
1963-1988	Dodge	W200 (4WD)
1981-1993	Dodge	W250 (4WD)
1960-1980	Dodge	W300 (4WD)
1981-1993	Dodge	W350 (4WD)
1980-2015	Ford	E-250
1975-2015	Ford	E-350
1981-2016	Ford	E-450
1965-1971	Ford	F-100
1954-1986	Ford	F-250
1975-1978	Ford	F-350
1954-1998	Ford	1 Ton Truck
1954-1997	Ford	3/4 Ton Truck
1967-1972	GMC	C15/C1500 (2WD)
1964-1972	GMC	C25/C2500 (2WD)
1973-1991	GMC	G35/G3500
1967-1972	GMC	K15/1500 (4WD)
1977-1991	GMC	K35/3500 (4WD)
2003-2013	GMC	Savana 2500
1964-1972	GMC	Suburban
1973-1991	GMC	1 Ton Truck
1967-1972	GMC	3/4 Ton Truck
1980-1991	GMC	1 Ton Van
1963-1973	Jeep	Wagoneer
1974-88	Jeep	J20 Pickup
1968-1974	Plymouth	Barracuda
1966	Plymouth	Belvedere
1969-1976	Plymouth	Duster
1968-1976	Plymouth	Fury
1968-1974	Plymouth	GTX

## Dana 60™ Std. Rotation (continued)

Ring & Pinions			
Ratio	Spicer Part #	Spicer Part # Thick	SVL Part #
1968-1977	Plymouth	Road Runner	
1966	Plymouth	Satellite	
3.54	24813X	-	2020874
3.73	76089X	-	2021412
4.10	76047X	-	2020880
4.56	25127-5X*	70907X †	2020603
4.88	25334X	2019214 †	10001720
5.13	-	2019217 †	2020606
5.38	27518X	-	2020877
5.86	25784X	-	10001723
6.17	26628X	-	10001726
7.17	26756X	-	10001729

\* Includes HDW

† Use with 4.10 & down carrier case

Differential Rebuild Kits	
Standard Differential Rebuild Kit	
Application	Spicer Part #
1990-1992 GM G-Van (125" WB - Full Float)	2017590
1990-1992 GM G-Van (146" WB - Full Float)	2017590
1993-1994 Ford E-350 Van (Rear SRW/Full Float)	2017590
2002 GM Savana/Express (Rear)	2017590
2008-2010 GM Savana/Express (Rear)	2017590
1973-1991 Chevy 1 Ton Truck	10043633
1967-1972 Chevy 3/4 Ton Truck	10043633
1980-1991 Chevy 1 Ton Van	10043633
1970-1971 Dodge Challenger	10043633
1966-1967 Dodge Charger	10043633
1966 Dodge Comet	10043633
1960-2008 Dodge 1 Ton Truck	10043633
1961-2008 Dodge 3/4 Ton Truck	10043633
1971-2008 Dodge 1 Ton Van	10043633
1954-1998 Ford 1 Ton Truck	10043633
1954-1997 Ford 3/4 Ton Truck	10043633
1981-2016 Ford 1 Ton Van	10043633
1975-2014 Ford 3/4 Ton Van	10043633
2001-2014 Ford 1/2 Ton Van	10043633
1973-1991 GMC 1 Ton Truck	10043633
1967-1972 GMC 3/4 Ton Truck	10043633
1980-1981 GMC 1 Ton Van	10043633
1970-1988 Jeep J 20	10043633
1970-1971 Plymouth Barracuda	10043633
1966 Plymouth Belvedere	10043633
1967-1971 Plymouth GTX	10043633
1968-1972 Plymouth Roadrunner	10043633
1966 Plymouth Satellite	10043633

Master Overhaul Kit	
Application	Spicer Part #
1990-1992 GM G-Van (125" WB - Full Float)	2017592
1990-1992 GM G-Van (146" WB - Full Float)	2017592
1993-1994 Ford E-350 Van (Rear SRW/Full Float)	2017592
2002 GM Savana/Express (Rear)	2017593
2008-2010 GM Savana/Express (Rear)	2017593
1973-1991 Chevy 1 Ton Truck	10043634
1967-1972 Chevy 3/4 Ton Truck	10043634
1980-1991 Chevy 1 Ton Van	10043634
1970-1971 Dodge Challenger	10043634
1966-1967 Dodge Charger	10043634
1966 Dodge Comet	10043634
1960-2008 Dodge 1 Ton Truck	10043634
1961-2008 Dodge 3/4 Ton Truck	10043634
1971-2008 Dodge 1 Ton Van	10043634
1954-1998 Ford 1 Ton Truck	10043634
1954-1997 Ford 3/4 Ton Truck	10043634
1981-2016 Ford 1 Ton Van	10043634
1975-2014 Ford 3/4 Ton Van	10043634
2001-2014 Ford 1/2 Ton Van	10043634
1973-1991 GMC 1 Ton Truck	10043634
1967-1972 GMC 3/4 Ton Truck	10043634
1980-1981 GMC 1 Ton Van	10043634
1970-1988 Jeep J 20	10043634
1970-1971 Plymouth Barracuda	10043634
1966 Plymouth Belvedere	10043634
1967-1971 Plymouth GTX	10043634
1968-1972 Plymouth Roadrunner	10043634
1966 Plymouth Satellite	10043634

Differential Carrier Cases		
Description	Spicer Part #	Notes
Open/Std. 4.30 & Down (Front)	2005502	1.50" Dia. 35 Spline
Open/Std. 4.56 & Up (Front)	2005501	1.50" Dia. 35 Spline
Open/Std. 4.10 & Down (Semi-Float Rear)	707211-1X	1.50" Dia. 35 Spline
Trac-Lok 4.10 & Down (Semi-Float Rear)	707427X	1.50" Dia. 35 Spline
Open/Std. 4.10 & Down (Full-Float Rear)	707387-1X	1.37" Dia. 32 Spline
Trac-Lok 4.10 & Down (Front)	707090-4X	1.50" Dia. 35 Spline
Trac-Lok 4.10 & Down (Full Float Rear)	708013	1.31" Dia. 30 Spline
Trac-Lok 4.56 & Up (Full Float Rear)	707097X	
Eaton E-Locker 4.56 & Up	10024012	35 Spline

All cases come loaded with gearing unless otherwise noted

Spicer Carrier Case Inner Gear Kits		
Application	Spicer Part #	Notes
Open/Std. (1998-2002 Ford, 1979-1993 Dodge D-600/D-700, 1977-1991 GM Front)	706702X	1.50" Dia. 35 Spline
2002-2011 Ford Open/Std.	708236	1.50" Dia. 35 Spline
Open/Std. (Semi-Float Rear)	706844X	1.50" Dia. 35 Spline
Trac-Lok (Semi-Float Rear)	707435X	1.50" Dia. 35 Spline
Open/Std. (Full-Float Rear)	2002976	1.37" Dia. 32 Spline
1994-1997 Dodge W2500 HD, 1995-1997 W3500 (w/ ABS)	76627X	76628X
1994-1998 Dodge W2500 HD, 1995-1998 W3500 (w/o ABS)	76471X	76472X

Rear Axle Shafts						
Application	Position	Splines	Length (in)	Spicer Part #	OE Part #	Hollander Part #
1995-2010 E-250 Van (Semi Float)	RH	35	31.41	75344-1X	F5UZ4234A	447-2122R
1995-2010 E-250 Van (Semi Float)	LH	35	34.13	75344-2X	F5UZ4234B	447-2123L
1979-1991 Chevy G-Van	RH/LH	35	39.69	41100-1	15599687	447-1070
1998-2011 E250/E350 (SRW Semi Float w/ ABS)	RH	35	31.36	76002-1X	F8UZ4234AA	447-2680R
1998-2011 E250/E350 (SRW Semi Float w/ ABS)	LH	35	34.08	76002-2X	F8UZ4234AB	447-2681L

For more information on Spicer products, visit [SpicerParts.com](http://SpicerParts.com). For our e-catalog and parts locator, visit [DanaAftermarket.com](http://DanaAftermarket.com).  
Dana Aftermarket Group Customer Service **800.621.8084** | Technical Service **419.866.3951**, Option 1

**Dana 60™ Std. Rotation (continued)**

**Axle Shaft Universal Joint Kits**

Description	Spicer Part #
Premium Spicer Life Series (1310 Non-Greasable)	SPL55-3X
Premium Spicer Life Series (1310 Greasable)	SPL55-4X
Premium Spicer Life Series - Blue (SPL55/1480 Non-Greasable)	SPL55-1480XC

**Misc. Components**

Description	Spicer Part #
RTV Sealant (2.8 oz.)	38615
Friction Modifier/POSI Additive	43161
Pkg. - Shim Kit (Pinion Only, 1994-1998 Dodge Front)	701126X
Pkg. - Shim Kit (Ford E-150/E-250/E-350 Rear Refer to BOM)	707431X
Pkg. - Shim Kit (1979-1993 Dodge D-600/D-700, 1979-1997 Ford Refer to BOM, 1977-1991 GM, Jeep)	708020
Pkg. - Shim Kit (Ford Rear Refer to BOM)	706838X
Pinion Baffle	30982
Kit - Disc & Plate (Trac-Lok)	701151X
Inner Pinion Bearing Kit	706046X
Outer Pinion Bearing Kit	706045X
Pinion Thrust Washer	42737
Pinion Seal (1998-2011 Ford E-150/E-250/E-350 Rear) Confirm Fit Using Axle BOM	50637
Pinion Seal (1979-2011 Ford E-150/E-250/E-350 Rear, 1979-1998 Ford Front, 1979-1998 Dodge Front, GM, Jeep) Confirm Fit Using Axle BOM	42449
Pinion Nut Washer	30275
Pinion Nut	30271
Differential Cover Bolts	34822
RTV	38615
Ring Gear Bolt	40638
Carrier Case Cross Shaft (Std., 1998-2011 Ford F-250/F-350 Front)	44810
Carrier Case Cross Shaft (Std., 1979-2011 Ford Rear 1978-1998 Ford Front & Dodge Front & GM & Jeep)	30263
Spindle Nut (Full Float Rear)	43075
Spindle Nut (LH Thread, Full Float Rear)	43076
Spindle Kit (1979-1993 Dodge D-600/D-700 Front, GM Front)	700013
Spindle Kit (1978-1998 Ford Front)	700022
Spindle Nut (1979-1993 Dodge D-600/D-700 Front & Ford 1985-1998 Ford Front)	621027
Spindle Nut (1978-1985 Ford Front & GM Front, Semi Float Rear)	33732
Spindle Nut (1979-1993 Dodge D-600/D-700 Front & 1985-1998 Ford Front)	660568

**Misc. Components (continued)**

Description	Spicer Part #
Spindle Nut (Jeep Rear)	30636
Spindle Nut Lock Washer (Jeep Rear)	30637
Spindle Nut Lock Washer (1979-1993 Dodge D-600/D-700 Front)	35269
Spindle Nut lock Washer (1979-1993 Dodge D-600/D-700 Front)	621028
Tone Ring (ABS Only)	42928
Wheel Bearing Assy. - Outer (Rear Full Float)	706074X
Wheel Bearing Assy. - Inner (Rear Full Float)	706179X
Wheel Bearing Assy. - Outer (Rear Semi Float)	566117
Wheel Bearing Assy. - Outer (Front 1979-1993 Dodge D-600/D-700 & GM)	706074X
Wheel Bearing Assy. - Inner (Front 1979-1993 Dodge D-600/D-700 & GM)	706411X
Wheel Bearing Assy. - Outer (Rear Semi Float, Jeep)	565904
Outboard Axle Shaft Seal (1998-2011 Ford F-250/F-350 Front)	50491
Outboard Axle Shaft Seal (2002-2011 Ford F-250/F-350 w/ Super 60 Front)	2017426
Outboard Axle Shaft Seal (1998-2011 Ford E-150/E-250/E-350 Rear Semi Float)	46995
Outboard Axle Shaft Seal (1979-2011 Ford Rear Full Float)	47507
Inboard Axle Shaft Seal (1998-2011 Ford F-250/F-350 Front)	48816
Inboard Axle Shaft Seal (Jeep Semi Float Rear)	35512
Inboard Axle Shaft Seal (1994-1999 Dodge Front) 58.06 MM O.D.	620216
Inboard Axle Shaft Seal (1977-1991 GM Front) 66.67 MM O.D.	36487
Axle Shaft C-Clip/Retainer (Rear Semi-Float)	39213
Vacuum Disconnect Mount Gasket (1994-1999 Dodge)	41494
Axle Shaft Bolt (Rear Full Float)	45720
Gasket - Axle Flange (Rear Full Float)	39697
Drive Flange Kit (35 Spline)	10028883

**Pinion Yokes**

Description	Spicer Part #
Spicer Performance Forged End Yoke 29 Spline 3.03" C/L to End (1350 Series)	10025494
Companion Flange (1998-2011 Ford E-150/E-250/E-350 Rear)	2010948
End Yoke 29 Spline 1.875" Hub Dia. 2.938" C/L to End (1310 Series)	2-4-3801-1X
End Yoke 29 Spline 1.875" Hub Dia. 2.996" C/L to End (1310 Series)	2-4-8391-1X
End Yoke 29 Spline 1.875" Hub Dia. 2.938" C/L to End (1330 Series)	2-4-4291-1X
End Yoke 29 Spline 1.875" Hub Dia. 3.000" C/L to End (1350 Series)	3-4-13031-2X
End Yoke 29 Spline 1.875" Hub Dia. 3.000" C/L to End (1350 Series)	3-4-5731-1X



## Dana 60™ Reverse Rotation

Applications		
Year	Make	Model
1978-1979	Ford	F-250/F-350 Snow Fighter
2002-2015	Ford	F-250 Super Duty
1978-1998	Ford	F-350
1999-2015	Ford	F-350 Super Duty
2000-2014	Ford	F-450 Super Duty
2000-2013	Ford	F-550 Super Duty

Ring & Pinions		
Ratio	Spicer Part #	SVL Part #
3.54	700020-1*	10001732‡
3.73	2013462 **	-
4.10	76159-5X†	-
4.10	84674 **	-
4.30	708233-3*	10004584 ‡
4.56	-	10004587 ‡
4.88	708123-4*	2020921 ‡
4.88	84676**	-
5.13	-	2020849 ‡
5.38	708123-5*	2020852
5.38	84677**	-
5.38	-	10004590 ‡

\* Kit includes bearings, seals, shims, ring gear bolts and pinion nut

† Kit includes ring gear bolts and pinion nut

‡ Must be used with 4.10 & down carrier case

\*\* Dana Super 60 Gear - 256 MM

Differential Carrier Cases		
Description	Spicer Part #	Notes
Open/Std. 4.30 & Down	2005502	1.50 Spline Dia. 35 Spline
Open/Std. 4.56 & Up	2005501	1.50 Spline Dia. 35 Spline
Trac-Lok Limited Slip 4.10 & Down	707090-4X	1.50 Spline Dia. 35 Spline
Trac-Lok Limited Slip 4.56 & Up	707097-4X	1.50 Spline Dia. 35 Spline
Eaton E-Locker 4.56 & Up	10024012	35 Spline

All cases come loaded with gearing unless otherwise noted

Carrier Case Inner Gear Kits		
Description	Spicer Part #	Notes
Open/Std.	708236	1.50 Spline Dia. 35 Spline

Spools		
Description	Spline	Spicer Part #
Dana 60™ 4.56 & Up	30 Spline	2023542
Dana 60™ 4.10 & Down	30 Spline	2023545
Dana 60™ 4.10 & Down	35 Spline	2023541
Dana 60™ 4.56 & Up (Thin Flange)	35 Spline	2023546
Dana 60™ 4.56 & Up	35 Spline	10002216
Dana 60™ 4.56 & Up	40 Spline	10002217

Differential Cover Kits	
Description	Spicer Part #
Stamped Steel Cover Kit (w/o HDW)	47707-1
Nodular Iron - Performance (w/ HDW & Gasket)	10024090

Differential Cover Gaskets	
Description	Spicer Part #
High Performance / Reusable	RD51999
Genuine Spicer OE Style	34687

Front Axle Shafts	
Application	Spicer Part #
1978-1979 F-250/F-350 Snow Fighter (Inner LH)	660182-11
1978-1979 F-250/F-350 Snow Fighter (Inner RH)	660182-10
1978-1979 F-250/F-350 Snow Fighter, 1983-1988 F-350 (Outer)	620085
1985-1988 F-350 (Inner LH)	660182-1
1985-1988 F-350 (Inner RH)	660182-36
1989-1997 F-350 (Inner LH)	76660-1X
1989-1997 F-350 (Inner RH)	76660-2X
1989-1997 F-350 (Outer)	48903
2004 -2011 F-250/F-350 Super Duty (Outer)	2002692

Axle Shaft Universal Joint Kits	
Description	Spicer Part #
Premium Spicer Life Series (SPL55/1480 Series Greasable)	SPL55-4X
Premium Spicer Life Series (SPL55/1480 Series Non-Greasable)	SPL55-3X
Premium Spicer Life Series - Blue (SPL55/1480 Non-Greasable)	SPL55-1480XC

Ball Joints	
Description	Spicer Part #
Ball Joint Repair Kit (1999-2004 Super Duty)	2020314
- Includes Upper/Lower Ball Joints (RH/LH)	
- Inner & Outer Axle Seals (RH/LH)	
- Vacuum O-Rings (RH/LH)	
- Hardware	
Ball Joint Kit (Upper/Lower Joints) 1999-2004 Super Duty	700238-2X†
Upper Ball Joint (1999-2004 Super Duty)	2001257
Lower Ball Joint (1999-2004 Super Duty)	2001258
Ball Joint Kit (Upper/Lower Joints) 2005 & Up Super Duty	2016801*†
Ball Joint Kit (Upper/Lower Joints) 1978-1998 Ford	700238-2X†
Upper Ball Joint 1978-1998 Ford	2001257
Lower Ball Joint 1978-1998 Ford	2001258

\* Fits axle BOMs 2003204/05, 2003729, 2004632/33, 2006738, 2008007, 2009785/86, 2011581/82, 2012290, 2013916, 2013981/82/83, 2014038, 611356/57

† Kit includes one upper ball joint and one lower ball joint

King Pin Components	
Description	Spicer Part #
King Pin Bearing Kit - Lower	706150X
King Pin Oil Seal	41777
King Pin Cap - Upper RH	620132
King Pin Cap Gasket	37307
King Pin	37302
Upper King Pin Bushing	41886
King Pin Bearing Cap - Lower	37299

## Dana 60™ Reverse Rotation (continued)

Front Chromoly Axle Shafts - (Inners/Outers)							
Application	Location	Position	Spline	Length (in)	U-Joint Part #	SVL Part #	
1978-1979 F350 Snow Fighter	Inner	RH	35	34.56"	SPL55-3X	10007820	
1978-1979 F350 Snow Fighter	Inner	LH	35	18.70"	SPL55-3X	10007817	
1978-1988 F350	Outer	RH/LH	35	11.38"	SPL55-3X	10007814	
1978-1988 F350 (Outer Spline Snap Ring Location)	Outer	RH/LH	30	11.40"	SPL55-3X	10007822	
1985-1988 F-350	Inner	RH	35	36.68"	SPL55-3X	10007819	
1985-1988 Ford F350, 1981-1993 W250, 1976-1980 W300, 1981-1993 W350	Inner	LH	35	15.96"	SPL55-3X	10007816	
1988-1998 F350	Inner	RH	35	36.97"	SPL55-4X	10007748	
1988-1998 F350	Inner	LH	35	16.17"	SPL55-4X	10007749	
1988-1998 F350 (Inner Spline Snap Ring Location)	Outer	RH/LH	30	11.38"	SPL55-3X	10007762	

Misc. Components (1999 & Up Super Duty)	
Description	Spicer Part #
RTV Sealant (2.8 oz.)	38615
Friction Modifier/POSI Additive	43161
Shim Kit - Inner Pinion Adj. (1999-2004)	701161X
Shim Kit - Inner Pinion Adj. (2005 & Up)	703032
Slinger	47890
Inner Pinion Bearing	706046X
Pinion Bearing Baffle	30982
Collapsible Spacer	45658
Outer Pinion Bearing Kit	706045X
Pinion Seal - Confirm Using Axle BOM	2009802
Pinion Seal - Confirm Using Axle BOM	47885
Pinion Nut (1999-2004)	30271
Pinion Nut (2005 & Up)	2001153
Differential Bearing Kit	706047X
Differential Bearing Shim Adj. Kit	708012
Ring Gear Bolt	40638
Inner Axle Shaft Oil Seal (1999-2004)	50381
Inner Axle Shaft Oil Seal (2005 & Up) - Confirm Using Axle BOM	2017426
Inner Axle Shaft Oil Seal (2005 & Up) - Confirm Using Axle BOM	53877
Outer Axle Shaft Oil Seal (2005 & Up)	2017426
O-Ring - Vacuum Hub (1999-2004)	41784-2
O-Ring - Vacuum Hub (2005 & Up)	54983
Drive Flange Kit (35 Spline)	10028883

Pinion Yokes	
Description	Spicer Part #
Companion Flange (1998-2011 Ford E-150/E-250/E-350 Rear)	2010948
End Yoke 29 Spline 1.875" Hub Dia. 2.938" C/L to End (1310 Series)	2-4-3801-1X
End Yoke 29 Spline 1.875" Hub Dia. 2.996" C/L to End (1310 Series)	2-4-8391-1X
End Yoke 29 Spline 1.875" Hub Dia. 2.938" C/L to End (1330 Series)	2-4-4291-1X
End Yoke 29 Spline 1.875" Hub Dia. 3.000" C/L to End (1350 Series)	3-4-13031-2X
End Yoke 29 Spline 1.875" Hub Dia. 3.000" C/L to End (1350 Series)	3-4-5731-1X
End Yoke 29 Spline 1.875" Hub Dia. 3.0315" C/L to End (1350 Series)	10025494

Misc. Components (1978-1998 Ford)	
Description	Spicer Part #
RTV Sealant (2.8 oz.)	38615
Friction Modifier/POSI Additive	43161
Inner Pinion Bearing	706046X
Differential & Pinion Bearing Shims Kit	708020
Outer Pinion Bearing Kit	706045X
Axle Shaft Slinger (1978-1979 Snow Fighter, 1983-1988 F-350)	37308
Powr-Lok Clutch Pack Kit	2021288
Pinion Seal	42449
Pinion Nut	30271
Differential Bearing Kit	706047X
Differential Bearing Shim Kit	706378X
King Pin Rebuild Kit (Upper Seal, Grease Retainer, Oil Seal, Bearing Kit)	707042X
Spindle Seal & Bearing Kit (1978-1979 Snow Fighter, 1983-1991 F-350)	700014
Spindle Seal & Bearing Kit (1992-1998 F-350)	708084
Spindle Kit (1978-1979 Snow Fighter, 1983-1991 F-350)	700022
Spindle Kit (1992-1998 F-350)	708085
Outer Axle Shaft Seal (1978-1979 Snow Fighter, 1983-1991 F-350)	37311
Outer Axle Shaft Seal (1992-1998 F-350)	50381
Inner Axle Seal (1977-1996 F-350)	36487
Inner Axle Seal (1993-2005 F-350, 2002-2005 F-350)	52148
Spindle Oil Seal	48816
Inner Spindle Wheel Bearing Kit	706411X
Outer Spindle Wheel Bearing Kit	706074X
Trac-Lok Clutch/Plate Rebuild Kit	707083X
Axleshaft Thrust Bushing (1999 & Up)	47766
Outer Axle Shaft Oil Seal (1999-2004)	50491
Front Axle Thrust Washer Kit (1998 to 2011)	701166X
Drive Flange Kit (35 Spline)	10028883

Universal Joint Kit Hardware	
Description	Spicer Part #
1310 Series - Bolt & Strap	2-70-18X
1330 Series - Bolt & Strap	2-70-28X
1330 Series - U-Bolt Style	2-94-58X
1350 Series - U-Bolt Style	3-70-28X



## The Ultimate Dana 60™ - JK

Applications		
Year	Make	Model
2007 & Up	Jeep	Wrangler

Dana Ultimate 60 Crate Axle (Bolt In Axle Assy)	
Application	Spicer Part #
2007-2014 Jeep Wrangler JK - Front (3.73 Ratio) w/ Electric Locker	10034267
2007-2014 Jeep Wrangler JK - Front (4.10 Ratio) w/ Electric Locker	10034268
2007-2014 Jeep Wrangler JK - Front (4.88 Ratio) w/ Electric Locker	10005778
2007-2014 Jeep Wrangler JK - Front (4.88 Ratio) w/ ARB Air Locker	10033062
2007-2014 Jeep Wrangler JK - Front (5.38 Ratio) w/ Electric Locker	10005777
2007-2014 Jeep Wrangler JK - Front (5.38 Ratio) w/ ARB Air Locker	10033061
2007-2014 Jeep Wrangler JK - Rear (3.73 Ratio) w/ Electric Locker	10034269
2007-2014 Jeep Wrangler JK - Rear (4.10 Ratio) w/ Electric Locker	10034270
2007-2014 Jeep Wrangler JK - Rear (4.88 Ratio) w/ Electric Locker	2023612-1
2007-2014 Jeep Wrangler JK - Rear (4.88 Ratio) w/ ARB Air Locker	10032016
2007-2014 Jeep Wrangler JK - Rear (5.38 Ratio) w/ Electric Locker	10005942
2007-2014 Jeep Wrangler JK - Rear (5.38 Ratio) w/ ARB Air Locker	10032017

Ring & Pinions		
Ratio	Position	Spicer Part #
3.73	Front	2013462*
4.10	Front	84674*
4.88	Front	84676*
5.38	Front	84677*
3.73	Rear	76089X
4.10	Rear	76047X
4.88	Rear	25334X
5.38	Rear	27518X

\* 256MM Super 60 Rev. Rotation

Differential Rebuild Kits	
Description	Spicer Part #
Standard Differential Rebuild Kits - Front	10024003
Standard Differential Rebuild Kits - Rear	10024088
Master Overhaul Kit - Front	10024004
Master Overhaul Kit - Rear	10024089

Differential Carrier Cases	
Description	Spicer Part #
Eaton E-Locker 4.10 & Down (35 Spline)	10034266
Eaton E-Locker 4.88 & Up (35 Spline)	10024012
ARB Air Locker - 4.88 and Up	10032013
E-Locker Wire Harness Kit	10021771
E-Locker Wire Harness Pigtail	10019387

Differential Cover Kits	
Description	Spicer Part #
Nodular Iron - Performance (w/ HDW & Performance Gasket) - Front	10024011
Nodular Iron - Performance (w/ HDW & Performance Gasket) - Rear	10024090

Driveshafts	
Description	Spicer Part #
Front Driveshaft - 2/4 Door	10049168
Rear Driveshaft - 4 Door	10049169

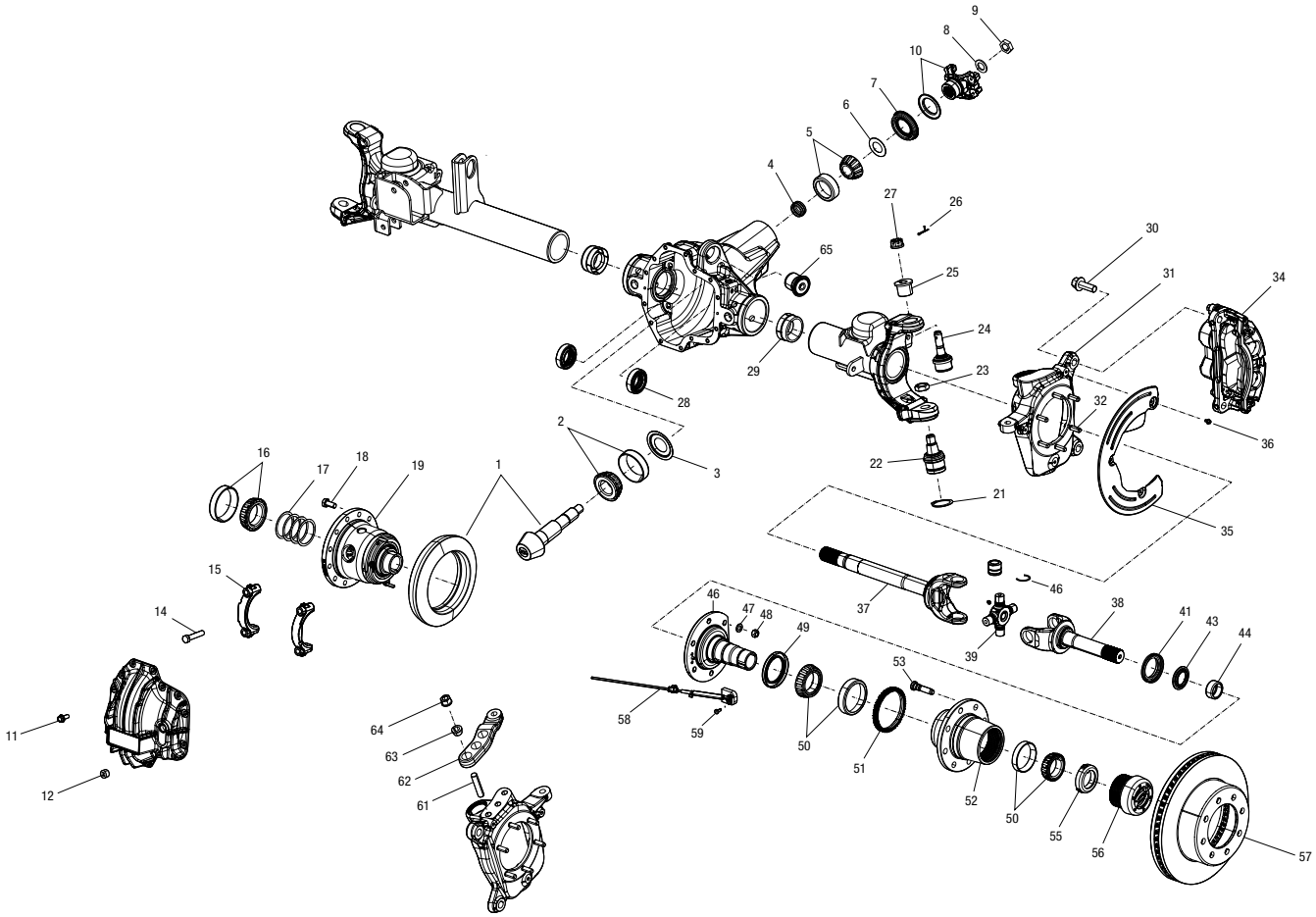
Chromoly Axle Shafts	
Description	Spicer Part #
Chromoly Axle Shaft Assy. - Front Right	10004054
Chromoly Axle Shaft Assy. -Front Left	10004053
Chromoly Axle Shaft Assy. - Rear Right	10004851
Chromoly Axle Shaft Assy. -Rear Left	10003519

Axle Shaft Universal Joint Kits	
Description	Spicer Part #
Premium Spicer Life Series (SPL 70)	SPL70-4X
Premium Spicer Life Series - Blue (SPL70/1550 Non-Greasable)	SPL70-1550XC

Ball Joints	
Description	Spicer Part #
Ball Joint Kit (Upper/Lower Per Side)	708238

Misc. Components - Front Axle	
Description	Spicer Part #
RTV Sealant (2.8 oz.)	38615
Pinion Oil Seal	2014762
Differential Oil Seal	2019816
Front Spindle Outer Seal	50381
Front Spindle Inner Seal	44506
Front Hub Seal	37729
Knuckle Assy Kit - Left	2023567
Knuckle Assy Kit - Right	2023568
Hub Assy Kit (35 Spline)	10024007
Warn Hub Lock Assy (35 Spline)	10005723
Steering Arm Kit	10024009
Spindle Assy Kit	10024010
Inner Pinion Bearing Kit	706046X
Outer Pinion Bearing Kit	706045X
Differential Bearing Kit	706047X
Pinion Yoke	10015235
Pinion Yoke Strap Kit	3-70-28X
Front Rotor	10020910
Left Caliper Assembly	10020911
Right Caliper Assembly	10020912
Brake Caliper Bolt	10020917
Left Brake Dust Shield	10020914
Right Brake Dust Shield	10020915
ABS Sensor	10020916
ABS Tone Ring	2023673
ABS Sensor Bracket	10041727
Spindle Nut Socket	10035080

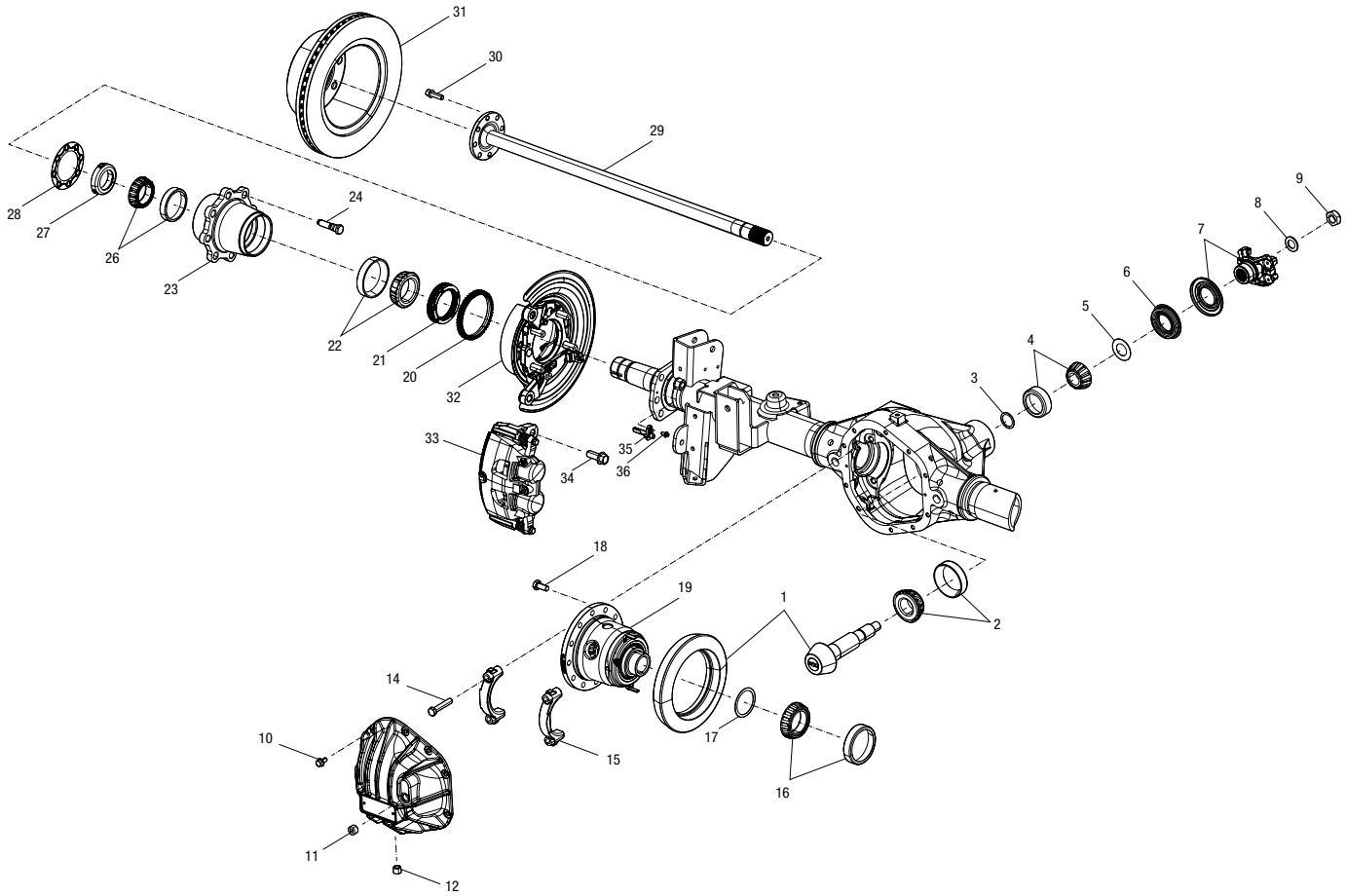
Misc. Components - Rear Axle	
Description	Spicer Part #
Pinion Seal	50637
Hub Seal	10006508
Hub Lock Assy Kit	10024091
Inner Wheel Bearing Kit	10024092
Outer Wheel Bearing Kit	706074X
Outer Pinion Bearing Kit	706045X
Inner Pinion Bearing Kit	706046X
Differential Bearing Kit	706047X
Pinion Yoke	10014642
Front Rotor	10020919
Left Caliper Assembly	10020921
Right Caliper Assembly	10020920
Brake Caliper Bolt	10020924
Parking Brake Assy	10020922
ABS Sensor	10020923
ABS Tone Ring	2023673



## UD60 Front

Item	Part #	Description
1	*See Chart Page 37 for Options	Ring and Pinion
2	706046x	Inner Pinion Bearing Kit
3	30982	Pinion Oil Baffle
4	45658	Collapsible spacer
5	706045X	Outer Pinion Bearing Kit
6	42737	Pinion Thrust Washer
7	2014762	Pinion Oil Seal
8	30275	Pinion Nut Washer
9	30271	Pinion Nut Washer
10	10015235	end yoke assembly
11	47508-3	Differential Cover Bolt (Qty 14)
12	43180	Differential Cover Fill Plug
13	10024011	Differential Cover Assembly
14	48632-2	Bearing Cap Bolt
15	10030033	Bearing Cap
16	706047X	Differential Side Bearing Kit
17	701007X	Differential Bearing Shim Kit
18	40638	Ring Gear Bolt (Qty 12)
19	*See Chart Page 37 for Options	Differential Case Assembly
20	2016801	Upper and Lower Ball Joint Kit
21	620343	Lower Ball Joint Snap Ring
22	2012504 (Not Sold Separately)	Lower Socket Assembly
23	44133	Lower ball Joint Lock Nut
24	2012503 (Not sold Separately)	Upper Socket Assembly
25	2008860	Bushing
26	500024-8	Cotter Pin
27	44101	Slotted Nut
28	2019816	Oil Seal
29	48058	Axle Shaft tube Guide
30	10020917	Caliper bolt
31	2023563 - Left/Driver(Not Sold Separately) 2023565 - Right/Passenger (Not Sold Separately)	Steering Knuckle
32	52734-1	Knuckle Bolt
33	"2023567 - Left/Driver 2023568 - Right/Passenger"	Steering Knuckle Assembly
34	10020911 - Left/Driver 10020912 - Right/Passenger	Caliper Assembly
35	10020914 - Left/Driver 10020915 - Right/Passenger	Break dust Shield
36	52784-4	Brake Dust Shield Bolt
37	10009767 - Left/Driver 10009448 - Right/Passenger	Inner Axle Shaft
38	10004051	Outer Axle Shaft
39	SPL70-4X	Axle Shaft Universal Joint
40	3-7-129	Snap Ring
41	50381	Axle Shaft Seal
42	10004053 - Left/Driver 10004054 Right/Passenger	Shaft and Joint Assembly
43	44506	Spindle Seal
44	620063	Spindle Bearing
45	708084	spindle Seal and Bearing Kit
46	10014034	Spindle Assembly
47	38081-1	Washer
48	2004922	Lock Nut

Item	Part #	Description
49	37729	Hub Seal
50	10024008	Hub Bearing Kit
51	2023673	Tone Ring
52	2023571 (Not Sold Separately)	Wheel Hub
53	10020918	Wheel Stud (Qty 8 per side)
54	10024007	Hub Assembly Kit
55	43075	Retainer
56	10005723	Hub Lock Assembly
57	10020910	Brake Rotor
58	10020916	ABS Sensor Assembly
59	10020885	ABS Sensor Bolt
60	10024009	Steer Arm Kit
61	10002608	Steering Arm Mounting Stud
62	10002603	Steering Arm
63	10043386	Adapter
64	2001857	Lock Nut
65	2006249	Bushing



## UD60 Rear

Item	Part #	Description
1	*See Chart Page 37 for Options	Ring and Pinion
2	706046X	Inner Pinion Bearing Kit
3	2004075	Shim Kit
4	706045x	Outer Pinion Bearing Kit
5	42737	Pinion Thrust Washer
6	50637	Pinion Oil Seal
7	10014642	end yoke assembly
8	30275	Pinion Nut Washer
9	30271	Pinion Nut
10	47508-2	Differential Cover Bolt (Qty 14)
11	43180	Differential Cover Fill Plug
12	2001762	Differential Cover Drain Plug
13	10024090	Differential Cover Assembly
14	48632-2	Bearing Cap Bolt
15	53152	Bearing Cap
16	706047X	Differential Side Bearing Kit
17	701144X	Differential Bearing Shim Kit
18	40638	Ring Gear Bolt (Qty 12)
19	"10024012 (4.56 and Up) 10034266 (4.10 and Down)"	Differential Case Assembly
20	2023673	Tone Ring
21	10006508	Hub Seal
22	10024092	Inner wheel Bearing Kit
23	Not Sold Seperatly	Wheel Hub
24	10020918	Wheel Stud
25	10021148	Wheel Hub Assembly
26	706074X	Outer Wheel Bearing Kit
27	43075	Retainer
28	39697	Gasket
29	"Right - 10004851 Left - 10003519"	Axle Shaft
30	45720	Hub bolt
31	10020919	Brake rotor
32	10020922	Parking Break assembly
33	"Right - 10020920 Left - 10020924"	Calliper Assembly
34	10020924	Caliper Bolt
35	10020923	ABS Sensor
36	52784-2	ABS Sensor bolt

**Dana 61™**

Applications		
Year	Make	Model
1987-1993	Dodge	D-600, D-700 (Front)
1979-1987	Ford	E-250/350, F-250/350 (Rear)

Ring & Pinions	
Ratio	Spicer Part #
3.54	706033-1X*
4.10	706661-9X*

\* Includes HDW, bearings, seals, shims, spacer

Differential Carrier Cases	
Description	Spicer Part #
Trac-Loc (Centerline of Cross Shaft to Flange is 2 1/32")	708013
Trac-Loc (Centerline of Cross Shaft to Flange is 1 27/32")	707097X
Open/Std.	2005502

All cases come loaded with gearing unless otherwise noted

Carrier Case Inner Gear Kits	
Description	Spicer Part #
Open/Std. w/ 1.5" 35 Spline	706702X
Open/Std. w/ 1-5/16" 30 Spline	706043X

Differential Cover Kits	
Description	Spicer Part #
Stamped Steel Cover	2014220

Differential Cover Gaskets	
Description	Spicer Part #
High Performance / Reusable	RD51999
Genuine Spicer OE Style	34687

Misc. Components	
Description	Spicer Part #
RTV Sealant (2.8 oz.)	38615
Friction Modifier/POSI Additive	43161
Pkg. - Shim Kit	708020
Kit - Disc & Plate (Trac-Lok)	707083X
Inner Pinion Bearing Kit	706046X
Outer Pinion Bearing Kit	706045X
Pinion Thrust Washer	42737
Pinion Seal	42449
Pinion Nut Washer	30275
Pinion Nut	30271
Differential Cover Bolts (Front)	34822
Ring Gear Bolt	40638
Carrier Case Cross Shaft (Std.)	30263
Wheel Bearing Assy. - Outer (Front)	706074X
Wheel Bearing Assy. - Inner (Front)	706411X
Wheel Bearing Assy. - Outer (Rear Full Float)	706074X
Wheel Bearing Assy. - Inner (Rear Full Float)	706179X
Wheel Bearing Assy. - (Rear Semi Float)	566117
Outboard Axle Shaft Seal (Rear Full Float)	47507
Outboard Axle Shaft Seal (Rear Semi Float)	39246

Pinion Yokes	
Description	Spicer Part #
End Yoke 29 Spline 1.875" Hub Dia. 2.996" C/L to End (1310 Series)	2-4-8391-1X
End Yoke 29 Spline 1.875" Hub Dia. 3.000" C/L to End (1350 Series)	3-4-5731-1X



## Dana 70™

Applications		
Year	Make	Model
2003-2009	Chevrolet	C4500/C5500 Kodiak
1973-1994	Chevrolet	1 Ton Truck
1979-1993	Dodge	CB, D M, MB, W, WM Chassis
1994-1998	Dodge	D2500/W2500
1960-1993	Dodge	1 Ton Truck
1994-2008	Dodge	3/4 Ton Truck
1999-2011	Ford	E-350, E-450
1979-1998	Ford	E-250, E-350, E-450, F-350
2001-2016	Ford	E-450 Super Duty
1961-2008	Ford	1 Ton Truck
1985-1986	Ford	3/4 Ton Truck
1979-2008	Ford	1 Ton Van
1979-1994	GM	C/K-30, G-Van, G-300, P-30, R-30, V-30
2003-2009	GMC	C4500/C5500 Topkick
1973-1994	GMC	1 Ton Truck
1985	Jeep	CJ10A Military

Ring & Pinions		
Ratio	Spicer Part #	SVL Part #
3.54	76568X	2021406
3.73	72159X	-
4.10	72154X	-
4.56	2013538	-
4.88	72148X	2020918
5.13	72150X	-
5.86	72156X	2020461
6.17	72164X	-
7.17	72162X	-

Differential Rebuild Kits	
Standard Differential Rebuild Kit	
Application	Spicer Part #
1994-2008 Dodge Truck 3/4 Ton (w/ 70U Rear)	10043640
1960-1984 Dodge Truck 1 Ton (w/ 70 Rear)	10043638
1984-1993 Dodge Truck 1 Ton (w/ 70U Rear)	10043640
1990-1994 Ford Bakery Truck Chassis (w/ 70U Rear w/ ABS)	2017516
2002-2008 Ford E-350 (w/ 70 Rear DRW/Full Float)	2017521
2008-2010 Ford E-350 (w/ 70 Rear SRW/Full Float)	2017524
2009-2010 Ford E-350 (w/ 70 Rear DRW/Full Float)	2017524
2001-2008 Ford E-350 DSO (w/ 70 Rear)	2017523
1990-1996 Ford E-350 Chassis (w/ 70U Rear w/ ABS (DRW))	2017516
1992-1996 Ford E-350 Chassis (w/ 70 2U Rear SRW/Wide Track)	2017516
1994-1997 Ford E-350 Chassis (w/ 70U Rear w/ ABS (DRW))	2017517
1997 Ford E-350 Cutaway (w/ 70 2U Rear SRW/Wide Track)	2017516
1997 Ford E-350 Chassis (w/ 70U Rear w/ ABS (DRW))	2017516
1998 Ford E-350 Chassis (w/ 70U Rear DRW w/ ABS)	2017520
1998-2000 Ford E-350 Chassis (w/ 70HD Rear w/ ABS (DRW))	2017517
1998-2000 Ford E-350 Cutaway (w/ 70U Rear - DRW)	2017520
1998-2000 Ford E-350 Cutaway (w/ 70U Rear - SRW)	2017520
2001 Ford E-350 Chassis (w/ 70 Rear w/ ABS (DRW))	2017521
2001-2005 Ford E-350 Cutaway (w/ 70U Rear)	2017521
1990-1997 Ford E-350 Motor Home (w/ 70HD Rear w/ ABS)	2017517
1990-1994 Ford E-350 U-Haul Chassis (w/ 70HD Rear w/ ABS)	2017517
2001 Ford E-450 Super Duty (w/ 70 Rear w/ ABS (DRW))	2017523

Standard Differential Rebuild Kits (continued)	
Application	Spicer Part #
2002 Ford E-450 Super Duty (w/ 70 Rear w/ ABS (DRW))	2017523
2006-2010 Ford E-450 Super Duty (w/ 70 Rear (DRW))	2017523
2000 Ford E-450 (w/ 70 Rear w/ ABS (DRW))	2017517
2002-2007 Ford E-450 (w/ 70 Rear (DRW))	2017523
1990-1993 Ford UPS Chassis (w/ 70U Rear w/ ABS)	2017516
2001-2016 E-450 Super Duty (w/ 70HD Rear)	10043635
1983-1985 Ford Truck 3/4 Ton (w/ 70U Rear)	10043640
1972-2008 Ford Truck 1 Ton (w/ 70HD Rear)	10043635
1961-1983 Ford Truck 1 Ton (w/ 70 Rear)	10043638
1982-1997 Ford Truck 1 Ton (w/ 70U Rear)	10043640
1979-2008 Ford Van 1 Ton (w/ 70HD Rear)	10043635
1979-1983 Ford Van 1 Ton (w/ 70 Rear)	10043638
1982-1997 Ford Van 1 Ton (w/ 70U Rear)	10043640
1973-1994 GM Truck 1 Ton (w/ 70HD Rear)	10043635
2003-2009 GM C4500/C5500 (w/ 70 Rear)	10043635
1973-1990 GM Truck 1 Ton (w/ 70 Rear)	10043638
1984-1991 GM Truck 1 Ton (w/ 70U Rear)	10043640

Master Overhaul Kit	
Application	Spicer Part #
1994-2008 Dodge Truck 3/4 Ton (w/ 70U Rear)	10043641
1960-1984 Dodge Truck 1 Ton (w/ 70 Rear)	10043639
1984-1993 Dodge Truck 1 Ton (w/ 70U rear)	10043641
1990-1994 Ford Bakery Truck Chassis (w/ 70U Rear w/ ABS)	2017525
2002-2008 Ford E-350 (w/ 70 Rear DRW/Full Float)	2017532
2008-2010 Ford E-350 (w/ 70 Rear SRW/Full Float)	2017375
2009-2010 Ford E-350 (w/ 70 Rear DRW/Full Float)	2017375
2001-2008 Ford E-350 DSO (w/ 70 Rear)	2017535
1990-1996 Ford E-350 Chassis (w/ 70U Rear w/ ABS (DRW))	2017525
1992-1996 Ford E-350 Chassis (w/ 70 2U Rear SRW/Wide Track)	2017525
1994-1997 Ford E-350 Chassis (w/ 70U Rear w/ ABS (DRW))	2017526
1997 Ford E-350 Cutaway (w/ 70 2U Rear SRW/Wide Track)	2017528
1997 Ford E-350 Chassis (w/ 70U Rear w/ ABS (DRW))	2017528
1998 Ford E-350 Chassis (w/ 70U Rear DRW w/ ABS)	2017530
1998-2000 Ford E-350 Chassis (w/ 70HD Rear w/ ABS (DRW))	2017529
1998-2000 Ford E-350 Cutaway (w/ 70U Rear - DRW)	2017530
1998-2000 Ford E-350 Cutaway (w/ 70U Rear - SRW)	2017530
2001 Ford E-350 Chassis (w/ 70 Rear w/ ABS (DRW))	2017532
2001-2005 Ford E-350 Cutaway (w/ 70U Rear)	2017532
1990-1997 Ford E-350 Motor Home (w/ 70HD Rear w/ ABS)	2017526
1990-1994 Ford E-350 U-Haul Chassis (w/ 70HD Rear w/ ABS)	2017526
2001 Ford E-450 Super Duty (w/ 70 Rear w/ ABS (DRW))	2017534
2002 Ford E-450 Super Duty (w/ 70 Rear w/ ABS (DRW))	2017535
2006-2010 Ford E-450 Super Duty (w/ 70 Rear (DRW))	2017535
2000 Ford E-450 (w/ 70 Rear w/ ABS (DRW))	2017526
2002-2007 Ford E-450 (w/ 70 Rear (DRW))	2017535
1990-1993 Ford UPS Chassis (w/ 70U Rear w/ ABS)	2017525
2001-2016 E-450 Super Duty (w/ 70HD Rear)	10043636
1983-1985 Ford Truck 3/4 Ton (w/ 70U Rear)	10043641
1972-2008 Ford Truck 1 Ton (w/ 70HD Rear)	10043636
1961-1983 Ford Truck 1 Ton (w/ 70 Rear)	10043639
1982-1997 Ford Truck 1 Ton (w/ 70U Rear)	10043641
1979-2008 Ford Van 1 Ton (w/ 70HD Rear)	10043636
1979-1983 Ford Van 1 Ton (w/ 70 Rear)	10043639
1982-1997 Ford Van 1 Ton (w/ 70U Rear)	10043641
1973-1994 GM Truck 1 Ton (w/ 70HD Rear)	10043636
2003-2009 GM C4500/C5500 (w/ 70 Rear)	10043636
1973-1990 GM Truck 1 Ton (w/ 70 Rear)	10043639
1984-1991 GM Truck 1 Ton (w/ 70U Rear)	10043641



Axle Shafts					
Application	Location	Spline	Length (in)	U-Joint Part #	Spicer Part #
1987-1991 Dodge D-200/D-300/D-600/D-700 (w/ ABS)	RH/LH	35	34.24"	35091-29	4428717
1979-1985 Ford F350	RH/LH	35	35.05"	36113-1	D5TZ4234B
1979-1994 GM Excl. Motorhome	RH/LH	35	39.69"	41100-1	15599687
1994-1998 Dodge D2500/W2500	RH/LH	32	36.71"	43811-12	4746620
1992 -2010 Ford E-350	RH	32	37.40"	43811-4	F2UZ4234A
1992 -2010 Ford E-350	LH	32	40.75"	43811-7	F2UZ4234B
2000 - Ford E-450 DRW	RH	35	39.65"	46930-3	YC2Z4234AA
2000 - Ford E-450 DRW	LH	35	43.00"	46930-4	YC2Z4234AB

Pinion Yokes				
Description	U-Joint Series	Spicer Part #	U-Bolt/Strap Kit #	Style
Companion Flange 29 Spline (1997-2011 Ford E-350, E-450)	-	2010948		
Companion Flange (1999-2011 Ford E-350, E-450)	-	2010949		
Casted End Yoke 29 Spline 1.875" Hub Dia. 2.996" C/L to End (Dodge Rear)	1310	2-4-8391-1X		BS
Casted End Yoke 29 Spline 1.875" Hub Dia. 2.938" C/L to End (Jeep Rear)	1310	2-4-3801-1X		BS
Casted End Yoke 29 Spline 1.875" Hub Dia. 3.000" C/L to End (GM)	1350	3-4-5731-1X		BS
Casted End Yoke 29 Spline 1.875" Hub Dia. 3.000" C/L to End (Ford)	1350	3-4-13031-2X		BS
Spicer Performance Forged End Yoke 29 Spline w/ Slinger (Chrysler)	1350	10025494	3-94-18X	UB
End Yoke 29 Spline 1.875" Hub Dia. 3.188" C/L to End	1410	3-4-5711-1X		BS
End Yoke 29 Spline 1.874" Hub Dia. 3.185" C/L To End (Bearing Strap Style)	1410	3-4-11891-1X		BS

Differential Carrier Cases	
Description	Spicer Part #
Open/Std. 4.10 & Down (1.5" 35 Spline) D70U	707215X
Open/Std. 4.10 & Down (1.5" 35 Spline) D70	706051X
Open/Std. 4.56 & Up (1.5" 35 Spline) D70	706052X
Open/Std. 4.56 & Up (1.5" 35 Spline) D70HD	707118X
Open/Std. 4.10 & Down (1.37" 32 Spline) D70U	708016
Powr-Lok Limited Slip 4.10 & Down (1.5" 35 Spline) D70U, D70	707130X
Powr-Lok Limited Slip 4.10 & Down (1.5" 35 Spline) D70 HD	707189X
Powr-Lok Limited Slip 4.56 & Up (1.5" 35 Spline) D70U, D70	706050X
Trac-Lok Limited Slip 3.73 & Down (1.37" 32 Spline) D70	2005750
Open/Std. 4.56 & Down (1.5" 35 Spline) D70	708075-1
Open/Std. 4.56 & Down (1.5" 35 Spline) 70HD	2021696
Trac-Lok Limited Slip 4.56 & Down (1.5" 35 Spline) 70HD, D70	2005658

*Always refer to axle BOM number to confirm proper part for axle application  
All cases come loaded with gearing unless otherwise noted*

Spicer Carrier Case Inner Gear Kits	
Description	Spicer Part #
Open/Std. (1.5" 35 Spline) D70U D70	706058X
Open/Std. (1.5" 35 Spline) D70U D70	707119X
Open/Std. (1.5" 35 Spline) D70HD D70	708077
Open/Std. (1.5" 35 Spline) D70HD D70	708181
Open/Std. (1.37" 32 Spline) D70U D70	707252X
Powr-Lok Limited Slip (1.5" 35 Spline) D70U D70	2021289
Powr-Lok Limited Slip (1.37" 32 Spline) D70U D70	2021290
Trac-Lok Limited Slip (1.5" 35 Spline) D70 D70HD	2003857

SVL Carrier Case Inner Gear Kits	
Description	SVL Part #
Open/Std. Dana 70™ (32 Spline)	2023873
Open/Std. 70™ (35 Spline)	2023874
Powr-Lok Limited Slip Dana 70™ (32 Spline)	10003699

Differential Cover Kits	
Description	Spicer Part #
Stamped Steel Cover Plug .386" Below Center	708082
Stamped Steel Cover Plug .480" Below Center	707105-1X
Stamped Steel Cover Plug .875" Below Center	706059X
Stamped Steel Cover Plug .980" Below Center	42815-1

Differential Cover Gaskets	
Description	Spicer Part #
High Performance / Reusable	RD51998
Genuine Spicer OE Style	34687

Misc. Components	
Description	Spicer Part #
RTV Sealant (2.8 oz.)	38615
Friction Modifier/POSI Additive	43161
Pkg. - Shim Kit (1999-2011 Ford E-350, E-450)	708078
Pkg. - Shim Kit (Most Apps to 1994)	706213X
Pkg. - Shim Kit (1994-1998 Dodge D2500/3500, 1985 Jeep)	708020
Pinion Spacer	46176
Tone Ring - ABS Only	42929
Kit - Disc & Plate (Powr-Lok)	2021288
Kit - Disc & Plate (Trac-Lok)	2003819
Inner Pinion Bearing Kit (1999-2011 Ford E-350 Excl. DSO & Dodge D2500/W2500 & G-Van DRW 146" WB & 1985 Jeep)	706861X
Inner Pinion Bearing Kit (1999-2011 Ford E-350 DSO, E-450, 1979-1984 Dodge & GM 1979-1994 Excl. G-Van DRW 146" WB)	706060X
Inner Pinion Bearing Kit (1984-1993 Dodge)	706861X
Outer Pinion Bearing Kit	706045X
Pinion Thrust Washer	42737
Pinion Seal (1979-2003 Ford F-350, E-350, E-450, 1979-1998 Dodge, 1979-1994 GM, 1985 Jeep)	42449
Pinion Seal (2003-2011 Ford E-350, E-450)	706861X
Pinion Nut Washer	30275
Pinion Nut	30271
Differential Cover Bolts (1997-2011 Ford E-350, E-450)	47508-1
Differential Cover Bolts (1979-1998 Dodge, 1979-1997 Ford, 1979-1994 GM, 1985 Jeep)	34822
Ring Gear Bolt	40638
Carrier Case Cross Shaft (Std.)	46640
Spindle Nut (RH Thread, 1987-2011 Ford F-250, E-350, E-450)	43075
Spindle Nut (LH Thread)	43076
Spindle Nut (1979-1995 Dodge, 1979-1987 Ford, 1985 Jeep)	39695
Spindle Nut 2.000-16 Threads (1979-1994 GM)	33732
Spindle Nut 2.125-16 Threads (1979-1994 GM)	36635
Wheel Bearing Assy. - Outer (1981-2011 Ford F-350, E-350, E-450, 1979-1994 GM)	706074X
Wheel Bearing Assy. - Inner (1981-2011 Ford F-350, E-350, E-450, 1979-1994 GM)	706179X
Outboard Axle Shaft Seal	47507
Axle Shaft Bolt (1979-1992 Ford, 1985 Jeep)	39694
Axle Shaft Bolt (1992-2011 Ford E-350, E-450, 1996-1998 Dodge)	45720
Axle Shaft Bolt (1979-1996 Dodge)	43124
Gasket - Axle Flange	39697
Gasket - Axle Flange (1979-1994 GM)	36554

For more information on Spicer products, visit [SpicerParts.com](http://SpicerParts.com). For our e-catalog and parts locator, visit [DanaAftermarket.com](http://DanaAftermarket.com).

Dana Aftermarket Group Customer Service **800.621.8084** | Technical Service **419.866.3951**, Option 1

## Dana 80™

Applications		
Year	Make	Model
1993-2002	Chrysler/Dodge	D2500/3500, W2500/3500
2000-2012	Ford	E-350/F-350/F-450 DRW
1988-2000	Ford	F-350 Super Duty/F-450
1993-1994	Ford	Motorhome
1992-2000	GM	P-Chassis
1991-1999	GM	Truck 1 Ton
1994-2002	Dodge	Truck 1 Ton
1994-2002	Dodge	Truck 3/4 Ton
1988-2015	Ford	Truck 1 Ton
1997-2001	Ford	Van 1 Ton
1999-2014	Ford	F-450 Super Duty

Ring & Pinions		
Ratio	Spicer Part #	SVL Part #
3.31	74375X	-
3.54	73353X	10001481
3.73	2018597*	-
4.10	2013526	10001313†
4.30	80651	-
4.63	80730	-
4.88	84002	-
5.13	75621X	-
5.38	84003	10001474

\* Fits case for 4.10 and up  
† Thick gear

Differential Rebuild Kits	
Standard Differential Rebuild Kit	
Application	Spicer Part #
1991-1999 GM Truck 1 Ton	10043644
1994-2002 Dodge Truck 1 Ton & 3/4 Ton	10043644
1988-1998 Ford Truck 1 Ton	10043644
1999-2014 Ford Truck 1 Ton	10043642
1996-1998 Ford Van 1 Ton	10043644
1998-2001 Ford Van 1 Ton	10043642
1999-2014 Ford F-450	10043642

Axle Shafts						
Application	Location	Spline	Length (in)	SVL Part #	Spicer Part #	OE Part #
1990-1998 F-350 Super Duty	RH/ LH	37	37.67"	-	43651-1	F0TZ4234A
1992-2000 GM P-Chassis	RH/ LH	37	36.17"	-	44264-1	15664115
1992-2000 GM P-Chassis	RH/ LH	37	39.27"	-	44264-2	12380993
1994-1998 D2500/W2500, D3500/W3500	RH/ LH	35	36.65"	-	45553-1	4746995
1994-1998 D2500/W2500, D3500/W3500	RH/ LH	35	39.00"	-	45553-2	4746967
1994-1998 D2500/W2500, D3500/W3500	RH/ LH	35	36.50"	-	45553-3	4746990
1998 1/2-2008 F-350/F-350 DRW Full Float (4.30 & Down)	RH	35	37.38"	-	47847-3	F81Z4234BC
1998 1/2-2008 F-350/F-350 DRW Full Float (4.30 & Down)	LH	35	38.74"	-	47847-4	F81Z4234DA
1998 1/2-2008 F-350/F-450 DRW Full Float (4.88 & Up)	RH/ LH	37	40.07"	-	47852-1	F81Z4234EA
2005-2011 F-350 Chassis DRW	RH	35	38.89"	-	2002496-1	8C3Z4234A
2005-2011 F-350 Chassis DRW	LH	35	40.24"	-	2002496-2	8C3Z4234B
2008 F-350 DRW Full Float	RH	35	39.02"	-	2002496-5	8C3Z4234C
2008 F-350 DRW Full Float	LH	35	40.38"	-	2002496-6	8C3Z4234D
1991-2002 C3500/P3500	RH / LH	37	36.69"	10024297	-	15664115

Master Overhaul Kit	
Application	Spicer Part #
1991-1999 GM Truck 1 Ton	10043645
1994-2002 Dodge Truck 1 Ton & 3/4 Ton	10043645
1988-1998 Ford Truck 1 Ton	10043645
1999-2014 Ford Truck 1 Ton	10043643
1996-1998 Ford Van 1 Ton	10043645
1998-2001 Ford Van 1 Ton	10043643
1999-2014 Ford F-450	10043643

Differential Carrier Cases	
Description	Spicer Part #
Open/Std 3.73 & Down (1.5" 35 Spline)	708027
Open/Std 4.10 & Up (1.5" 35 Spline)	708031
Open/Std 4.10 & Up (1.6" 37 Spline)	707362X
Trac-Lok Limited Slip 3.73 & Down	2011842
Trac-Lok Limited Slip 4.10 & Up	2003548
Powr-Lok 4.10 & Up	2011841
Dyneer 4.10 & Up (1.6" 37 Spline)	708097

All cases come loaded with gearing unless otherwise noted

Spicer Carrier Case Inner Gear Kits		
Description	Spicer Part #	SVL Part #
Open/Std. (1.5" 35 Spline)	707063X	-
Open/Std. (1.6" 37 Spline)	707185X	2023875

Differential Cover Kits	
Description	Spicer Part #
High Performance Finned Aluminum	2013834
Stamped Steel Cover Kit (w/ HDW) Plug .217" Below Center	708151
Stamped Steel Cover Kit (w/ HDW) Plug .375" Below Center	707231X
Stamped Steel Cover Kit (w/ HDW) Plug 1.4" Below Center	707329X
Nodular Iron - Performance (w/ HDW & Performance Gasket)	10023537

Differential Cover Gaskets	
Description	Spicer Part #
High Performance / Reusable	RD51997
Genuine Spicer OE Style (RTV)	38615

## Dana 205 Front Nissan

Misc. Components	
Description	Spicer Part #
RTV Sealant (2.8 oz.)	38615
Friction Modifier/POSI Additive	43161
Pkg. - Shim Kit (Ford)	707481X
Pkg. - Shim Kit (Ford)	707365X
Pkg. - Shim Kit (Dodge)	708036
Tone Ring - ABS Only	42414
Kit - Disc & Plate (Trac-Lok) (Ford)	2003819
Inner Pinion Bearing Kit (Ford To 1999)	707447X
Inner Pinion Bearing Kit (All GM, Dodge, Ford From 1999)	707065X
Outer Pinion Bearing Kit	707064X
Pinion Thrust Washer	42430
Pinion Seal (All GM, All Dodge, Ford 1999-2000)	46411
Pinion Seal (All Except Ford 1999-2000)	2011840
Pinion Nut Washer	37104
Pinion Nut	2001855
Differential Cover Bolts	47508-1
Differential Cover Bolts (All Dodge, All GM)	34822
Ring Gear Bolt	42433
Carrier Case Cross Shaft (Std.)	46640
Locking Wedge (Dodge Apps.)	46545
Spindle Nut (Ford 1992-1994 F-450 Chassis, Some GM)	36635
Wheel Bearing Retainer (1988-1989 Ford, 1997-1998 Ford)	43075 (RH), 43076 (LH)
Wheel Bearing Retainer (Some Ford, GM)	46471
Wheel Bearing Retainer (Ford Apps.)	47858
Wheel Bearing Retainer (Ford Apps.)	43075
Wheel Bearing Assy. - Outer	550348
Wheel Bearing Assy. - Outer	565911
Wheel Bearing Assy. - Outer	566057
Wheel Bearing Assy. - Inner	566071
Wheel Bearing Assy. - Inner	565906
Outboard Axle Shaft Seal	2001888
Outboard Axle Shaft Seal	47507
Outboard Axle Shaft Seal	47860
Outboard Axle Shaft Seal	35256
Outboard Axle Shaft Seal (All GM)	40285
Axle Shaft Bolt (Ford F350 DRW 1992-2000)	45816
Axle Shaft Bolt (Ford F350 DRW 1996-1998)	45720
Axle Shaft Bolt (Ford F350 DRW 1988-1991)	42447
Axle Shaft Bolt (Dodge 1994-1997)	43124
Axle Shaft Bolt (Dodge 1997-1998, All GM)	45720
Gasket - Axle Flange (3.96" BC, 4.70" OD, Refer to BOM)	39697
Gasket - Axle Flange (4.33" BC, 5.13" OD, Refer to BOM)	42445

Pinion Yokes	
Description	Spicer Part #
End Yoke (37 Spline 2.5" Hub Dia. 4.312" C/L to End 1410 Series)	3-4-11081-1X

Applications		
Year	Make	Model
2003-2006	Nissan	Armada, Titan
2006-2014	Nissan	Armada, Pathfinder, Titan

Ring & Pinions	
Ratio	Spicer Part #
2.94	2006105-5*
3.36	2006106-5*

\* Includes nut and ring gear bolts only

Misc. Components	
Description	Spicer Part #
Friction Modifier/POSI Additive	43161
RTV Sealant (2.8 oz.)	38615
Collapsible Spacer	50313
Pinion Seal	54417
Pinion Nut	50366
Differential Cover Dowel Pin	54509-1
Bearing - RH Outer	566063
Bearing - LH Tube	566131
Retaining Ring - Shaft	2002390

## Ford 7.5"

Applications		
Year	Make	Model
1990-1997	Ford	Aerostar
1978-1983	Ford	Fairmont
1979-1982	Ford	Granada
1979-2012	Ford	Mustang
1983-2011	Ford	Ranger (Rear)
2003-2004	Mercury	Marauder
1980-1988	Mercury	Cougar
1980-1983	Lincoln	Mark VI
1984-1992	Lincoln	Mark VII
1980-1988	Ford	Thunderbird
1984-1990	Ford	Bronco II
1979-2011	Mercury	Grand Marquis
1979-1986	Ford	Capri
2000-2007	Ford	F-150 1/2 Ton
1979-2002	Lincoln	Continental

Ring & Pinions	
Ratio	SVL Part #
3.08	2020858
2.73	10001319
3.73	2020633
4.10	2020855
4.56	10001322

Differential Rebuild Kits	
Description	Spicer Part #
Standard Differential Rebuild Kits	10024035
Master Overhaul Kit	10024036

Differential Cover Kits	
Description	Spicer Part #
Modular Iron - Performance (w/HDW & Performance Gasket)	10023538

Differential Carrier Cases	
Description	SVL Part #
Ford 9.75" Open/Std. Case, (28 Spline) (Unloaded)	10019425

Carrier Case Inner Gear Kits	
Description	SVL Part #
Std./Open (28 Spline)	2023884

Misc. Components	
Description	Spicer Part #
Friction Modifier/POSI Additive	43161
RTV Sealant (2.8 oz.)	38615

Rear Axle Shafts						
Application	Location	Spline	Length (in)	SVL Part #	OE Part #	Hollander Part #
1979-1993 Mustang, 1979-1982 Cougar, 1980-1982 Thunderbird, 1983-1986 LTD	RH/LH	28	29.25"	2022599	D9BZ4234C	447-1231
1980-1989 Crown Vic./Town Car/Grand Marquis	RH/LH	28	31.00"	2023686-5	D9AZ4234A	447-1227
1984-1992 Ranger/Bronco II, 1986-1997 Aerostar	LH	28	29.25"	2022601	E3TZ4234C	447-1338
1991-1997 Town Car/Grand Marquis/Crown Vic.	RH/LH	28	31.63"	2023686-2	F2AZ-4234-B	447-1824
1993-1997 Ranger & Mazda Pickups	RH	28	27.31"	2022618-1	F37Z4234A	447-2088R
1994-1998 Mustang	RH/LH	28	30.00"	2022656	F4ZZ-4234B	447-2006
1998-2002 Crown Vic./Town Car/Grand Marquis	RH/LH	28	32.44"	2023686-3	F8AZ-4234-DA	447-2307
1998-2009 Ranger	RH	28	27.21"	10024312	F87Z4234AC	447-2419
1997-2009 Ranger	LH	28	30.09"	10024313	F87Z4234AD	447-2420

## Ford 8.0"

Applications		
Year	Make	Model
1962-1970	Ford	Fairlane
1962-1970	Ford	Falcon
1975-1980	Ford	Granada
1971-1977	Ford	Maverick
1964-1978	Ford	Mustang
1971-1980	Ford	Pinto
1971-1974	Ford	Torino
1975-1980	Mercury	Bobcat
1964-1972	Mercury	Comet
1967-1968	Mercury	Cougar
1975-1980	Mercury	Monarch

Differential Rebuild Kits	
Description	Spicer Part #
Standard Differential Rebuild Kits	10024025
Master Overhaul Kit	10024026

Misc. Components	
Description	Spicer Part #
Friction Modifier/POSI Additive	43161
RTV Sealant (2.8 oz.)	38615

**Ford 8.8"**

Applications		
Year	Make	Model
2003-2005	Ford	Aviator
1979-1986	Ford	Capri
1979-1988	Mercury	Cougar
1979-2000	Lincoln	Continental
2003-2011	Ford	Crown Vic.
1983	Ford	E-100 1/2 Ton
1983-1998	Ford	E-250 3/4 Ton
1997-2001	Ford	Expedition
1991-2001	Ford	Explorer
2001-2010	Ford	Explorer Sport Trac
1983-2013	Ford	E-150 1/2 Ton
1983-1996	Ford	Bronco
1983-2009	Ford	F-150 1/2 Ton
1979-1982	Ford	Granada
2003-2011	Mercury	Grand Marquis
1979-1991	Ford	LTD
1980-1983	Lincoln	Mark VI
2003-2004	Mercury	Marauder
1997-2010	Mercury	Mountaineer
1994-2014	Ford	Mustang
1998-2002	Lincoln	Navigator
1999-2011	Ford	Ranger
2003-2011	Lincoln	Town Car
1987-1988	Ford	Thunderbird

Ring & Pinions	
Ratio	SVL Part #
3.08	2020743
3.27	2020630
3.31	2020740
3.55	10004659
3.73	10004662
3.73 (2015+ Mustang)	10045107
4.10	2020737
4.10 (2015+ Mustang)	10045111
4.56	2020499
4.88	2020502
5.13	10004665

Differential Rebuild Kits	
Description	Spicer Part #
Standard Differential Rebuild Kits	10024027
Master Overhaul Kit	10024028

Spools	
Description	Spicer Part #
Mini-Spool 28 Spline	10015382
Mini-Spool 31 Spline	10015385
Full Spool* 31 Spline	10002214

\* May require use of C-Clip Eliminator Kit

Rear Axle Shafts						
Application	Location	Spline	Length (in)	SVL Part #	OE Part #	Hollander Part #
1980-1989 Crown Vic/Town Car/Grand Marquis	RH & LH	28	31.00"	2023686-5	D9AZ4234A	447-1227
1983-1991 F-150/Bronco	LH	31	31.06"	2022602-1	E3TZ4234D	447-1340R
1983-1991 F-150/Bronco	LH	31	33.06"	2022602-2	E3TZ 4234E	447-1341L
1984-1992 Ranger/Bronco II, 1986-1997 Aerostar	LH	28	29.25"	2022601	E3TZ4234C	447-1338
1979-1993 Mustang, 1979-1982 Cougar, 1980-1982 Thunderbird, 1983-1986 LTD	RH & LH	28	29.25"	2022599	D9BZ4234C	447-1231
1987-1996 E-150	LH	31	35.75"	2022607	YC2Z4234CB	447-1575L
1987-1996 E-150, Bronco, F-150	RH	31	31.06"	2022605-1	E7TZ-4234-A	447-1573
1987-1996 E-150, Bronco, F-150	LH	31	33.18"	2022605-2	E7TZ-4234-B	447-1574
1991-1997 Crown Vic/Grand Marquis/Town Car	RH & LH	28	31.50"	2022651	F2AZ 4234C	447-1823
1991-1997 Town Car/Grand Marquis/Crown Vic.	RH & LH	28	31.63"	2023686-2	F2AZ-4234-B	447-1824
1993-1997 Ranger & Mazda Pickups	RH	28	27.31"	2022618-1	F37Z4234A	447-2088R
1998-2002 Crown Vic./Town Car/Grand Marquis	RH & LH	28	32.44"	2023686-3	F8AZ-4234-DA	447-2307
1998-2002 Crown Vic./Town Car/Grand Marquis	LH	28	32.35"	2023686-4	F8AZ-4234-CA	447-2308
2001-2002 Crown Vic./Town Car/Grand Marquis	RH & LH	28	32.25"	2023686-8	IW1Z4234DA	447-2640
1995-2002 Explorer, 1997-2001 Mountaineer	RH	31	27.81"	2022636-1	F5TZ-4234-A	447-2120R
1995-2002 Explorer, 1997-2001 Mountaineer	LH	31	30.68"	2022636-2	F5TZ-4234-B, 3L2Z 4234-AB	447-2121L
2000-2004 F-150/Expedition	RH	31	31.87"	2022620-1	F75Z4234NA	447-2192
1997-2004 Ford F-150	RH	31	33.50"	2022620-2	F75Z4234NB	447-2553L/2193
1999-2004 Mustang GT (Excl. Cobra)	RH & LH	28	30.68"	2022665	XR3Z4234AA	447-2425
2003-2005 Crown Vic./Grand Marquis/Town Car	RH & LH	28	34.30"	2023686-6	3W1Z 4234KA	447-2733
1997-2006 E-150	RH	31	31.00"	2022666-1	YC2Z4234CA	447-2439R
2005-2011 Crown Vic./Town Car/Grand Marquis	RH & LH	31	34.31"	2023686-7	6W1Z4234A	447-124
1997-1999 F-150/Expedition/Lobo	RH	31	31.73"	10024310	F75Z4234KA	447-2304
1997-1999 F-150/Expedition/Lobo	LH	31	33.39"	10024311	F75Z4234KB	447-2305
1998-2009 Ranger	RH	28	27.21"	10024312	F87Z4234AC	447-2419
1997-2009 Ranger	LH	28	30.09"	10024313	F87Z4234AD	447-2420

Rear Chromoly Axle Shafts						
Application	Location	Spline	Length (in)	SVL Part #	OE Part #	Hollander Part #
2005-2014 Ford Mustang	RH	31	32.72	10038826	5R3Z-4234-A	447-2945
2005-2014 Ford Mustang	LH	31	32.72	10038827	5R3Z-4234-B	447-2946

For more information on Spicer products, visit [SpicerParts.com](http://SpicerParts.com). For our e-catalog and parts locator, visit [DanaAftermarket.com](http://DanaAftermarket.com).

Dana Aftermarket Group Customer Service **800.621.8084** | Technical Service **419.866.3951**, Option 1

## Ford 8.8" (continued)

### Carrier Case Inner Gear Kits

Description	SVL Part #
Std./Open (28 Spline)	2023885
Std./Open (31 Spline)	10003845

### Differential Cover Kits

Description	Spicer Part #
Nodular Iron - Performance (w/ HDW & Performance Gasket)	10023538

### Differential Cover Gaskets

Description	Spicer Part #
High Performance / Reusable	RD52005

### Performance Drive Shafts - One Piece Aluminum

Application	Description	Length (mm)	Series U-joint	Spicer Part #
2007-2012 Mustang GT500	3.5" Aluminum	1312 mm	1350	10002092
2005-2010 Mustang GT	3.5" Aluminum	1336 mm	1350	10001766
2011-2014 Mustang GT	3.5" Aluminum	1430 mm	1350	10002094
2005-2010 Mustang GT	4" Aluminum	1336 mm	1350	10001767
2007-2012 Mustang GT500	4" Aluminum	1312 mm	1350	10001796
2011-2014 Mustang GT	4" Aluminum	1430 mm	1350	10001797

### Spicer Life Series (SPL) Premium Performance Universal Joint Kit Packs

Application	Spicer Part No.
1997-1999 Ford F-150 2-Joint Driveshaft w/ 4 Outside Snaps	SPL1001FK
2000-2001 Ford F-150 2-Joint Driveshaft w/ 4.2L & 4.6L Excl. Reg. Cab w/ Short Bed	SPL1001FK
2000-2001 Ford F-150 2-Joint Driveshaft w/ 5.4L Eng.	SPL1001FK
1997-1999 Ford F-150 2-Joint Driveshaft w/ 2 Inside and 2 Outside Snap Rings	SPL1002FK
1997-1999 Ford F-150 3-Joint Driveshaft	SPL1003FK
2000-2001 Ford F-150 3-Joint Driveshaft w/ 4.2L & 4.6L Eng.	SPL1003FK
2000-2001 Ford F-150 2-Joint Driveshaft w/ 4.2L & 4.6L Reg. Cab w/ Short Bed	SPL1004FK
2000-2001 Ford F-150 3-Joint Driveshaft w/ 5.4L Eng.	SPL1005FK
2002-2003 Ford F-150 2-Joint Driveshaft w/ 4.2L & 4.6L Reg. Cab w/ Short Bed	SPL1006FK
1997-2001 Ford Expedition 2-Joint Shaft w/ Std. Suspension	SPL1006FK
2002-2003 Ford F-150 2-Joint Driveshaft w/ 4.2L & 4.6L Excl. Reg. Cab w/ Short Bed	SPL1007FK
2002-2003 Ford F-150 2-Joint Driveshaft w/ 5.4L Eng.	SPL1007FK
2004 Ford F-150 2-Joint Driveshaft w/4.2L & 4.6L Excl. Reg. Cab w/ Short Bed	SPL1007FK
1997-2001 Ford Expedition 2-Joint Shaft w/ Adj. Suspension	SPL1007FK
2002-2006 Ford Expedition 2-Joint Driveshaft	SPL1007FK
2002-2004 Ford F-150 3-Joint Driveshaft w/ 4.2L & 4.6L Eng.	SPL1008FK
2002-2003 Ford F-150 3-Joint Driveshaft w/ 5.4L Eng.	SPL1009FK
1998-2003 Ford Explorer w/ Plunging CV Joint at TC	SPL1010FK
2004 Ford Explorer w/o Sport Trac	SPL1011FK
2005-2006 Ford Explorer	SPL1011FK
2004 Ford Explorer w/ Sport Trac	SPL1012FK

### Misc. Components

Description	Spicer Part #
Friction Modifier/POSI Additive	43161
RTV Sealant (2.8 oz.)	38615

## Ford 8.8" Reverse Front

### Applications

Year	Make	Model
2007-2013	Ford	Expedition (Front)
1997-2014	Ford	F-150 1/2 Ton (Front)
1997-1999	Ford	F-250 3/4 Ton (Front)
1998-2013	Lincoln	Navigator (Front)

### Ring & Pinions

Ratio	SVL Part #
4.56	2020758
4.88	2020761
5.13	10004668

### Differential Cover Gaskets

Description	Spicer Part #
High Performance / Reusable	RD52005

### Misc. Components

Description	Spicer Part #
Friction Modifier/POSI Additive	43161
RTV Sealant (2.8 oz.)	38615

**Ford 9"**

Applications		
Year	Make	Model
1965-1985	Ford	Bronco
1957-1985	Ford	F-100/150
1957-1979	Ford	Full Size Car
1965-1973	Ford	Mustang

Ring & Pinions	
Ratio	SVL Part #
3.00	2020627
3.25	2020734
3.50	2020496
3.70	2020624
3.89	2020621
4.11	2020618
4.56	2020615
4.86	10034826
5.13	10004630
5.14	10010540
5.29	10034852
5.43	10004633
5.67	10034820
5.83	10004636
6.00	10004648
6.20	10004653
6.33	10034849
6.50	10004656
6.83	10034644
7.00	10034858

Differential Carrier Cases	
Description	SVL Part #
Open/Std. Case, (28 & 31 Spline) (Unloaded)	10019424
28 Spline Trac-Lok Case (Loaded)	10044013
31 Spline Trac-Lok case (Loaded)	10026678

Carrier Case Inner Gear Kits	
Description	SVL Part #
Trac-Lok POSI (28 Spline) 4 Pinion	2023888
Trac-Lok POSI (31 Spline) 4 Pinion	2023887

Differential Rebuild Kits			
Standard Differential Rebuild Kits			
Description	Differential Bearings	Housing Size	Spicer Part #
Std. Pinion & Std. Pinion Support (Early Differential Case 1970 & Down)	LM501349-LM501310	2.8"	10024029
Std. Pinion & Std. Pinion Support	LM102910-LM102949	2.8"	10024031
Std. Pinion & Std. Pinion Support	LM603049-LM603011	3.062"	10046199
Std. Pinion & Daytona Pinion Support	LM104949-LM104911	3.25"	10046201
Oversized 28 Spline Pinion & Oversized Support	LM104949-LM104911	3.25"	10046203
Oversized 35 Spline Pinion & Oversized Support	LM104949-LM104911	3.25"	10046204
Master Overhaul Kit			
Description	Differential Bearings	Housing Size	Spicer Part #
Std. Pinion & Std. Pinion Support (Early Differential Case 1970 & Down)	LM501349-LM501310	2.8"	10024030
Std. Pinion & Std. Pinion Support	LM102910-LM102949	2.8"	10024032
Std. Pinion & Std. Pinion Support	LM603049-LM603011	3.062"	10046200
Std. Pinion & Daytona Pinion Support	LM104949-LM104911	3.25"	10046202

Rear Axle Shafts						
Application	Location	Spline	Length (in)	SVL Part #	OE Part #	Hollander Part #
1976-1986 F-150, 1986-1979 Bronco	RH/LH	31	32.00"	2022591	D6TZ4234A	447-1172

3rd Member Drop Out Housing	
Description	SVL Part #
Aluminum 3.250" Daytona Bearing Journal	10007694
Aluminum 3.062" Standard Bearing Journal	10007696
Nodular Iron 3.250" Daytona Bearing Journal	10007698
Nodular 3.062" Standard Bearing Journal	10007700

Pinion Supports	
Description	Spicer Part #
Nodular Iron 5-Bolt Stock Bearing	10029033
Nodular Iron 5-Bolt Daytona (Large) Bearing 28 Spline	10029034
Aluminum 5-Bolt Daytona (Large) Bearing 28 Spline	10029036
Aluminum 5-Bolt Daytona Oversize for 35 Spline	10029035
5 -Bolt Pinion Shim Kit (Contains One Ea. .005, .009, .011, .013, .015, .017)	10027410

Spools		
Description	Spline	Spicer Part #
Spool - Lightweight Design	28 Spline	10002219
Mini Spool	28 Spline	10015392
Spool	31 Spline	2022501
Mini Spool	31 Spline	10015391
Spool - 2.8" & 3.062" Cases	35 Spline	2023544
Spool - Lightweight Design	35 Spline	2022499
Spool - 45° Mark Williams Axles	35 Spline	10002220
Spool - Lightweight Design	40 Spline	10002218

Differential Cover Gaskets	
Description	SVL Part #
High Performance / Reusable	RD52004

Pinion Yokes			
Description	U-Joint series	Spicer Part #	U-Bolt Kit #
Forged End Yoke-28 Spline (U-Bolt Style)	1330	10025483	2-94-28X
Forged End Yoke-28 Spline (U-Bolt Style)	1350	10025485	3-94-18X
Forged End Yoke-35 Spline (U-Bolt Style)	1350	10025487	3-94-18X

Misc. Components	
Description	Spicer Part #
Friction Modifier/POSI Additive	43161
RTV Sealant (2.8 oz.)	38615



## Ford 9.75"

Applications		
Year	Make	Model
1997-2008	Ford	Ford F-150 5.4L
1997-2014	Ford	Expedition
1997-2010	Ford	Van 1/2 Ton
2015	Ford	Transit
2007-2014	Ford	Truck 1/2 Ton
2002	Lincoln	Blackwood
2006-2008	Lincoln	Mark LT
1997-2008	Lincoln	Navigator

Ring & Pinions	
Ratio	SVL Part #
3.55	2020861
3.73	2020864
4.10	2020867
4.56	2020636
4.88	2020802
5.13	10004671

Differential Rebuild Kits	
Standard Differential Rebuild Kit	
Application	Spicer Part #
1997-1999 Expedition/Navigator w/ 2.68" Pinion Bearing	10038941
1999-2006 Expedition/Navigator w/ 3.00" Pinion Bearing	10038943
2007-2014 Expedition/Navigator w/ 3.73 Axle Ratio	10038945
2011-2014 Expedition/Navigator w/ 3.31 Axle Ratio	10038949
1997-1999 Ford 1/2 Ton Truck w/ 2.68" Pinion Bearing	10038941
1999-2006 Ford 1/2 Ton Truck w/ 3.00" Pinion Bearing	10038943
2007-2011 Ford 1/2 Ton Truck	10038945
2011-2014 Ford 1/2 Ton Truck	10038947
1997-1999 Ford 1/2 Ton Van w/ 2.68" Pinion Bearing	10038941
1999-2006 Ford 1/2 Ton Van w/ 3.00" Pinion Bearing	10038943
2007-2010 Ford 1/2 Ton Truck	10038945
2002 Lincoln Blackwood	10038943
2006 Lincoln Mark LT	10038943
2007-2008	10038945
2015 Ford Transit	10038952
Master Overhaul Kit	
Application	Spicer Part #
1997-1999 Expedition/Navigator w/ 2.68" Pinion Bearing	10038942
1999-2006 Expedition/Navigator w/ 3.00" Pinion Bearing	10038944
2007-2014 Expedition/Navigator w/ 3.73 Axle Ratio	10038946
2011-2014 Expedition/Navigator w/ 3.31 Axle Ratio	10038950
1997-1999 Ford 1/2 Ton Truck w/ 2.68" Pinion Bearing	10038942
1999-2006 Ford 1/2 Ton Truck w/ 3.00" Pinion Bearing	10038944
2007-2011 Ford 1/2 Ton Truck	10038946
2011-2014 Ford 1/2 Ton Truck	10038948
1997-1999 Ford 1/2 Ton Van w/ 2.68" Pinion Bearing	10038942
1999-2006 Ford 1/2 Ton Van w/ 3.00" Pinion Bearing	10038944
2007-2010 Ford 1/2 Ton Truck	10038946
2002 Lincoln Blackwood	10038944
2006 Lincoln Mark LT	10038944
2007-2008	10038946
2015 Ford Transit	10038953

Rear Axle Shafts						
Application	Location	Spline	Length (in)	SVL Part #	OE Part #	Hollander Part #
1997-1999 Expedition, F-150, Navigator	LH	34	33.5"	2022640-2	F75Z-4234-MB	447-2237/2239
1997-2000 F-100/150	RH	34	31.81"	2022640-1	F75Z-4234-MA	447-2236/2238
2005-2008 F-150/Lobo	RH	34	33.61"	10024302	7L3Z4234B	447-2920
2005-2008 F-150/Lobo	LH	34	35.27"	10024303	7L3Z4234D	447-2921

Differential Carrier Cases	
Description	SVL Part #
Open/Std. Case, (Unloaded)	10019429

Carrier Case Inner Gear Kits	
Description	SVL Part #
Std./Open (34 Spline)	2023886

Differential Cover Kits	
Description	Spicer Part #
Nodular Iron - Performance (w/ HDW & Performance Gasket)	10023539

Differential Cover Gaskets	
Description	Spicer Part #
High Performance / Reusable	RD52003

Spicer Life Series (SPL) Premium Performance Universal Joint Kit Packs	
Application	Spicer Part #
1997-1999 Ford F-150 2-Joint Driveshaft w/ 4 Outside Snaps	SPL1001FK
2000-2001 Ford F-150 2-Joint Driveshaft w/ 4.2L & 4.6L Excl. Reg. Cab w/Short Bed	SPL1001FK
2000-2001 Ford F-150 2-Joint Driveshaft w/ 5.4L Eng.	SPL1001FK
1997-1999 Ford F-150 2-Joint Driveshaft w/ 2 Inside and 2 Outside Snap Rings	SPL1002FK
1997-1999 Ford F-150 3-Joint Driveshaft	SPL1003FK
2000-2001 Ford F-150 3-Joint Driveshaft w/ 4.2L & 4.6L Eng.	SPL1003FK
2000-2001 Ford F-150 2-Joint Driveshaft w/ 4.2L & 4.6L Reg. Cab w/Short Bed	SPL1004FK
2000-2001 Ford F-150 3-Joint Driveshaft w/ 5.4L Eng.	SPL1005FK
2002-2003 Ford F-150 2-Joint Driveshaft w/ 4.2L & 4.6L Reg. Cab w/Short Bed	SPL1006FK
1997-2001 Ford Expedition 2-Joint Shaft w/ Std. Suspension	SPL1006FK
2002-2003 Ford F-150 2-Joint Driveshaft w/ 4.2L & 4.6L Excl. Reg. Cab w/Short Bed	SPL1007FK
2002-2003 Ford F-150 2-Joint Driveshaft w/ 5.4L Eng.	SPL1007FK
2004 Ford F-150 2-Joint Driveshaft w/ 4.2L & 4.6L Excl. Reg. Cab w/ Short Bed	SPL1007FK
1997-2001 Ford Expedition 2-Joint shaft w/ Adj. Suspension	SPL1007FK
2002-2006 Ford Expedition 2-Joint Driveshaft	SPL1007FK
2002-2004 Ford F-150 3-Joint Driveshaft w/ 4.2L & 4.6L Eng.	SPL1008FK
2002-2003 Ford F-150 3-Joint Driveshaft w/ 5.4L Eng.	SPL1009FK

Misc. Components	
Description	Spicer Part #
Friction Modifier/POSI Additive	43161
RTV Sealant (2.8 oz.)	38615

**Ford 10.25"/10.5"**

Applications		
Year	Make	Model
1985-1998	Ford	E-250 3/4 Ton (w/ 10.25")
1985-1998	Ford	F-250 3/4 Ton (Rear w/ 10.25")
1997-1999	Ford	F-250 Super Duty 3/4 Ton (Rear w/ 10.25")
1979-1998	Ford	F-250 Super Duty 3/4 Ton (Rear w/ 10.25")
1985-1997	Ford	F-350 1 Ton (Rear w/ 10.25")
1997-1998	Ford	F-350 Super Duty 1 Ton (Rear w/ 10.25")
1985-1998	Ford	E-350 1 Ton (Rear w/ 10.25")
1999-2010	Ford	F-250 Super Duty 3/4 Ton (Rear w/ 10.5")
1999-2010	Ford	F-350 Super Duty 1 Ton (Rear w/ 10.5")
1999-2010	Ford	E-250 3/4 Ton (w/ 10.25")
1999-2010	Ford	E-350 1 Ton (Rear w/ 10.5")
2000-2010	Ford	E-450 (w/ 10.5")
2000-2005	Ford	Excursion (w/ 10.5")
2004-2007	Ford	Truck 1/2 Ton (w/10.5")
1999-2007	Ford	Truck 3/4 Ton (w/10.5")
1999-2007	Ford	Truck 1 Ton (w/10.5")

Ring & Pinions		
Ratio	SVL Part #	Application Notes
3.73	2020523	10.25" 1993-1998 (Late Model Long Spline)
4.30	2023710	10.25" 1993-1998 (Late Model Long Spline)
4.10	2020755	10.25" 1993-1998 (Late Model Long Spline)
4.56	2020490	10.25" 1993-1998 (Late Model Long Spline)
4.88	2023713	10.25" 1993-1998 (Late Model Long Spline)
5.13	2020493	10.25" 1993-1998 (Late Model Long Spline)
5.38	2020434	10.25" 1993-1998 (Late Model Long Spline)
3.73	10004689	10.5" 1999-2010 (31 Spline)
3.55	10032976	10.5" 2011-2015 (37 Spline)
3.73	10032973	10.5" 2011-2015 (37 Spline)
4.11	10033393	10.5" 2011-2015 (37 Spline)
4.30	10032979	10.5" 2011-2015 (37 Spline)

Differential Rebuild Kits	
Standard Differential Rebuild Kit	
Application	Spicer Part #
1997-1999 Expedition/Navigator w/ 2.68" Pinion Bearing	10038941
1999-2006 Expedition/Navigator w/ 3.00" Pinion Bearing	10038943
2007-2014 Expedition/Navigator w/ 3.73 Axle Ratio	10038945
2011-2014 Expedition/Navigator w/ 3.31 Axle Ratio	10038949
1997-1999 Ford 1/2 Ton Truck w/ 2.68" Pinion Bearing	10038941
Master Overhaul Kit	
Application	Spicer Part #
1997-1999 Expedition/Navigator w/ 2.68" Pinion Bearing	10038942
1999-2006 Expedition/Navigator w/ 3.00" Pinion Bearing	10038944
2007-2014 Expedition/Navigator w/ 3.73 Axle Ratio	10038946
2011-2014 Expedition/Navigator w/ 3.31 Axle Ratio	10038950
1997-1999 Ford 1/2 Ton Truck w/ 2.68" Pinion Bearing	10038942

Differential Carrier Case Kits	
Description	SVL Part #
Open/Std Case, (Unloaded) 10.25"	10019426

Differential Cover Gaskets	
Description	Spicer Part #
High Performance / Reusable	RD52002

Misc. Components	
Description	Spicer Part #
Friction Modifier/POSI Additive	43161
RTV Sealant (2.8 oz.)	38615

**GM 55 Passenger Cars (1955-1964)**

Applications		
Year	Make	Model
1955-1964	Chevrolet	Bel Air
1958-1964	Chevrolet	Biscayne
1956-1962	Chevrolet	Corvette
1959-1964	Chevrolet	El Camino
1957-1964	Chevrolet	Impala
1955-1962	Chevrolet	Nomad
1962-1964	Chevrolet	Nova

Differential Carrier Case Inner Gear Kits	
Description	SVL Part #
GM55 Passenger Car (17 Spline) Open Differential	10001710

Misc. Components	
Description	Spicer Part #
Friction Modifier/POSI Additive	43161
RTV Sealant (2.8 oz.)	38615

## GM 7.5" / 7.6"

Applications		
Year	Make	Model
1973-1975	Buick	Apollo
1977-1984	Buick	Electra
1978-1983	Buick	Regal
1975-1979	Buick	Skylark
1982-2005	Chevrolet	Astro/Safari
1982-2002	Chevrolet	Camaro
1978-1996	Chevrolet	Caprice
1977-1987	Chevrolet	El Camino
1977-1996	Chevrolet	Impala
1973-1983	Chevrolet	Malibu
1978-1988	Chevrolet	Monte Carlo
1977-1979	Chevrolet	Nova
1983-2005	Chevrolet	S10 Blazer/Pickup
2002-2005	GMC	Envoy
1983-2005	GMC	S15/Jimmy/Pickup
1994-2004	GMC	Sonoma
1993-2002	Isuzu	Rodeo
1991-2004	Oldsmobile	Bravada
1978-1988	Oldsmobile	Cutlass
1976-1979	Oldsmobile	Omega
1975-1986	Pontiac	Bonneville
1975-1981	Pontiac	Catalina
1977-2002	Pontiac	Firebird
1977-1987	Pontiac	Grand Prix
1977-2002	Pontiac	Trans Am
1972-1976	Pontiac	Ventura

Ring & Pinions		
Ratio	SVL Part #	Application Notes
2.73	10004593	
3.08	2019331	
3.23	2020639	
3.42	2020520	
3.42	10004596	Thick Gear
3.55	10017887	
3.55	10035674	Thick Gear
3.73	2020395	
3.73	10004599	Thick Gear
3.90	10012319	
3.90	10035667	Thick Gear
4.10	2020440	
4.11	10004602	Thick Gear
4.30	10004605	
4.56	2020437	
4.56	10035672	Thick Gear

Rear Axle Shafts							
Application	Location	Spline	Length (in)	SVL Part #	OE Part #	Hollander Part #	
1998 S10/Blazer, LLV, Sonoma	RH/LH	28	29.13"	10004410	26016760	-	
1981-1990 Caprice/Impala/LeSabre/Bonneville/Catalina	RH/LH	26	30.5"	2022644	22506477	447-1137	
1990-1992 Astro/Safari	LH	28	30.5"	2022619-1	26011054	447-1764L	
1990-1999 Astro	RH	28	30.5"	2022619-2	26011055	447-7964R	
1991-1992 Caprice	RH/LH	26	30.43"	2022655	26019539	447-1870	
1997-Dwn. S10/Blazer, LLV, Sonoma w/ 7.6" Ring Gear (2WD/Non-ABS)	RH/LH	28	26.58"	10024300	26009534	447-1599	

### Differential Rebuild Kits

Description	Spicer Part #
Standard Differential Rebuild Kits	10024037
Master Overhaul Kit	10024038

### Carrier Case Inner Gear Kits

Description	SVL Part #
GM 7.5" Open/Std. (26 Spline)	10003714
GM 7.5" Eaton Style POSI (26 Spline)	10003707
GM 7.5" Eaton Style POSI (28 Spline)	2023876
GM 7.625" Open/Std. (28 Spline)	2023878

### Differential Carrier Case Kits

Description	SVL Part #
Standard GM 7.625" IFS (28 Spline)(Unloaded Case)	10019415

### Spools

Description	Spicer Part #
Mini Spool, 26 Spline	10015364
Mini Spool, 28 Spline	10015376

### Misc. Components

Description	Spicer Part #
Friction Modifier/POSI Additive	43161
RTV Sealant (2.8 oz.)	38615
4WD Actuator	10033321

For complete information, please check [DanaAftermarket.com](http://DanaAftermarket.com)

## GM 8.2" 10 Bolt

Applications		
Year	Make	Model
1964-1972	Chevrolet	Bel Air
1967-1970	Chevrolet	Camaro
1964-1972	Chevrolet	Chevelle/ Malibu
1964-1972	Chevrolet	El Camino
1970-1972	Chevrolet	Monte Carlo
1964-1972	Chevrolet	Nova
1964-1970	Chevrolet	Tempest
1971	Chevrolet	Ventura
1964-1972	Chevrolet	Biscayne
1965-1971	Chevrolet	Caprice
1964-1968	Chevrolet	Chevy II
1964-1972	Chevrolet	Impala
1968-1972	Chevrolet	Nomad
1964-1969	Chevrolet	Skylark
1969-1972	Chevrolet	Trans Am
1964-1972	Chevrolet	Wildcat

Ring & Pinions		
Ratio	SVL Part #	Application Notes
3.08	10004624	25 Spline
3.36	10004627	25 Spline
3.55	10004620	25 Spline
3.36	10004608	27 Spline Buick/Pontiac/Olds (BOP)
3.55	10004611	27 Spline Buick/Pontiac/Olds (BOP)
3.73	10004614	27 Spline Buick/Pontiac/Olds (BOP)
3.90	10004617	27 Spline Buick/Pontiac/Olds (BOP)

Differential Rebuild Kits	
Rear Axle w/ 1.781" Differential Bearings	
Description	Spicer Part #
Standard Differential Rebuild Kits	10024041
Master Overhaul Kit	10024042

Spools	
Description	Spicer Part #
Mini Spool, 28 Spline	10015370

Misc. Components	
Description	Spicer Part #
Friction Modifier/POSI Additive	43161
RTV Sealant (2.8 oz.)	38615

Rear Axle Shafts						
Application	Location	Spline	Length (in)	SVL Part #	OE Part #	Hollander Part #
1978-1988 Caprice, Impala, LeSabre, Riviera Monte Carlo, Malibu, Catalina, Bonneville	RH/LH	28	30.5"	2022589-3	1255801	447-1067
1970-1981 Camaro, 1968-1972 Chevelle/El Camino	RH/LH	28	30.25"	2022589-2	1255802-SH	447-912
1967-1969 Camaro, 1970-1975 Nova, 1965-1967 Chevelle	RH/LH	28	29.5"	2022589-1	1255803-SH	447-787

## GM 8.25" IFS

Applications		
Year	Make	Model
1988-2008	GM	1500 Front
1988-1999	GM	2500 6 Lug
1992-2008	GM	Blazer
1999-2014	Cadillac	Escalade
2002-2014	Chevrolet	Avalanche 1500
1998-2014	Chevrolet	Suburban 1500
1998-2014	Chevrolet	Tahoe
1998-2014	GM	Truck 1/2 Ton
2000-2014	GMC	Yukon XL 1500
1998-2014	GMC	Yukon

Ring & Pinions		
Ratio	SVL Part #	Application Notes
3.73	10004692	All IFS - Reverse Rotation
4.11	10005099	All IFS - Reverse Rotation

Differential Rebuild Kits	
Standard Differential Rebuild Kit	
Application	Spicer Part #
1988-1994 Blazer/Jimmy	10024039
1988-1997 1/2 Ton Chevy/GMC Truck	10024039
1990-1997 Chevy Suburban 1500	10024039
1995-1997 Chevy Tahoe	10024039
1999-2014 Cadillac Escalade	10038958
2002-2014 Chevrolet Avalanche 1500	10038958
1998-2014 Tahoe/Suburban 1500	10038958
1998-2014 1/2 Ton Chevy/GMC Truck	10038958
1998-2014 GMC Yukon	10038958

Master Overhaul Kit	
Application	Spicer Part #
1988-1994 Blazer/Jimmy	10024040
1988-1997 1/2 Ton Chevy/GMC Truck	10024040
1990-1997 Chevy Suburban 1500	10024040
1995-1997 Chevy Tahoe	10024040
1999-2014 Cadillac Escalade	10038959
2002-2014 Chevrolet Avalanche 1500	10038959
1998-2014 Tahoe/Suburban 1500	10038959
1998-2014 1/2 Ton Chevy/GMC Truck	10038959
1998-2014 GMC Yukon	10038959

Differential Carrier Case Kits	
Description	SVL Part #
GM 8.25" IFS Std./Open 3.42 & Up (Unloaded Case)	10019417

Misc. Components	
Description	Spicer Part #
Friction Modifier/POSI Additive	43161
RTV Sealant (2.8 oz.)	38615
4WD Actuator	10033320

*For complete information, please check DanaAftermarket.com*

## GM 8.5" & GM 8.6" 10 Bolt

Applications		
Year	Make	Model
1973-1975	Buick	Apollo
1971-1989	Buick	Electra
2004-2007	Buick	Rainier
1973-1987	Buick	Regal
1975-1978	Buick	Riviera
1970-1979	Buick	Skylark
1999-2013	Cadillac	Escalade
2002-2013	Chevrolet	Avalanche 1500
1970-1975	Chevrolet	Bel Air
1977-1994	Chevrolet	Blazer
1979-1987	Chevrolet	C10 1/2 Ton 2WD
1989-2000	Chevrolet	C2500 3/4 Ton 2WD
1970-1981	Chevrolet	Camaro
1970-1996	Chevrolet	Caprice
1973	Chevrolet	Chevelle/ Malibu
2004-2012	Chevrolet	Colorado
1971-1976	Chevrolet	El Camino
1996-2013	Chevrolet	Express Van 1500 1/2 Ton
1996-1998	Chevrolet	Express Van 2500 3/4 Ton
1979-1995	Chevrolet	G10 1/2 Ton
1975-1995	Chevrolet	G20 3/4 Ton
1971-1996	Chevrolet	Impala
1977-1999	Chevrolet	K10/ K1500 1/2 Ton 4WD
1977-1991	Chevrolet	K20/K2500 3/4 Ton 4WD
1977-1991	Chevrolet	K5 Blazer 4WD
1973-1983	Chevrolet	Malibu
1973-1978	Chevrolet	Monte Carlo
1970-1979	Chevrolet	Nova
1994-2005	Chevrolet	S10 Blazer / Pickup
1999-2013	Chevrolet	Silverado 1500 1/2 Ton
2001-2013	Chevrolet	Silverado HD 1500 1/2 Ton
2003-2006	Chevrolet	SSR
1977-2013	Chevrolet	Suburban 1/2 Ton
1977-1990	Chevrolet	Suburban 3/4 Ton
1995-2013	Chevrolet	Tahoe 1500 1/2 Ton
1999-2012	Chevrolet	Trailblazer
1979-1999	GMC	C15/ C1500 1/2 Ton 2WD
1997-2000	GMC	C25/ C2500 3/4 Ton 2WD
2004-2012	GMC	Canyon
2002-2009	GMC	Envoy
1979-1995	GMC	G15/ G1500 1/2 Ton
1978-1995	GMC	G25/ G2500 3/4 Ton
1977-1999	GMC	K15/ K1500 1/2 Ton 4WD
1977-1991	GMC	K25/ K2500 3/4 Ton 4WD
1994-2005	GMC	S15 Jimmy / Pickup
1996-2013	GMC	Savana 1500 1/2 Ton
1996-1998	GMC	Savana 2500 3/4 Ton
1999-2013	GMC	Sierra 1500 1/2 Ton
2001-2013	GMC	Sierra 1500 HD 1/2 Ton
1999-2013	GMC	Sierra Denali
1994-2004	GMC	Sonoma
1977-2000	GMC	Suburban 1/2 Ton
1977-1990	GMC	Suburban 3/4 Ton
1992-1993	GMC	Typhoon
1992-2013	GMC	Yukon 1500 1/2 Ton

Applications (continued)		
Year	Make	Model
2000-2013	GMC	Yukon XL 1500 1/2 Ton
2005-2011	Hummer	H3
2003-2008	Isuzu	Ascender
1970-1987	Oldsmobile	Cutlass
1973-1979	Oldsmobile	Omega
1978-1979	Plymouth	Phoenix
1970-1986	Pontiac	Bonneville
1970-1981	Pontiac	Catalina
1970-1981	Pontiac	Firebird
1971-1987	Pontiac	Grand Prix
1970-1977	Pontiac	GTO
1971-1983	Pontiac	LeMans
1970-1981	Pontiac	Trans Am
1976-1977	Pontiac	Ventura

Ring & Pinions		
Ratio	SVL Part #	Application Notes
2.73	2020645	GM 8.5" 10 bolt
3.23	2023698	GM 8.5" 10 bolt
3.42	2020642	GM 8.5" 10 bolt
3.73	2023695	GM 8.5" 10 bolt
3.90	2020954	GM 8.5" 10 bolt
4.11	2019328	GM 8.5" 10 bolt
4.56	10036077	GM 8.5" 10 bolt
4.88	2023704	GM 8.5" 10 bolt
5.13	2023707	GM 8.5" 10 bolt
5.38	2023701	GM 8.5" 10 bolt

Differential Rebuild Kits	
Description	Spicer Part #
Standard Differential Rebuild Kits 8.5" 1973-2000 Applications	10024043*
Standard Differential Rebuild Kits 8.5" 1999-2008 Applications	10038956*
Master Overhaul Kit 8.5" 1973-2000 Applications	10024044*
Master Overhaul Kit 8.5" 1999-2008 Applications	10038957*

\* Please reference year/make/model application data on [www.DanAftermarket.com](http://www.DanAftermarket.com) for exact fit

Differential Carrier Cases	
Description	SVL Part #
GM 8.5" Open/Std. Case, 2.73 & Up 28 & 30 Spline (Unloaded)	10019412
GM 8.6" V2 Open/Std. Case, 2.73 & up, (Unloaded)	10019428

Spools	
Description	Spicer Part #
Mini Spool, 28 Spline	10015373
Mini Spool, 30 Spline	10015388

Carrier Case Inner Gear Kits		
Description	Spline	SVL Part #
GM 8.5" Standard Open	28 Spline	10020477
GM 8.5" Eaton Style POSI	28 Spline	10028813
GM 8.5" Standard Open	30 Spline	10020478
GM 8.5" Eaton Style POSI	30 Spline	10028814
GM 8.6" V2 Standard Open	30 Spline	2023879

**Chromoly Axle Shafts - (Inners/Outers)**

Application	Location	Position	Spline	Length (in)	U-Joint Part #	Spicer Part #
1969-1977 Blazer, 1969-1980 K10/K1500, 1969-1980 K20/K2500, 1969-1980 K5 Blazer, 1969-1980 Suburban, 1974-1992 Wagoneer	Outer	RH/LH	19	9.94"	5-760X	10007802
1979-1987 Blazer, 1979-1987 K10/K15/K1500, 1979-1987 K20/K25/K2500, 1979-1987 K5 Blazer, 1979-1987 Suburban	Inner	RH	28	19.15"	5-760X	10007808
1979-1987 Blazer, 1979-1987 K10/K15/K1500, 1979-1987 K20/K25/K2500, 1979-1987 K5 Blazer, 1979-1987 Suburban	Inner	LH	28	35.46"	5-760X	10007809
1988-1991 Blazer, 1988-1991 K10/K15/K1500, 1988-1991 K5 Blazer, 1988-1991 Suburban	Inner	RH	30	19.15"	5-760X	10007823
1988-1991 Blazer, 1988-1991 K10/K15/K1500, 1988-1991 K5 Blazer, 1988-1991 Suburban	Inner	LH	30	35.46"	5-760X	10008246

**Rear Axle Shafts**

Application	Location	Spline	Length (in)	SVL Part #	OE Part #	Hollander Part #
1978-1986 C10/1500 PU, K5 Blazer, Suburban	RH & LH	28	31.31"	2022592	14035542	447-1204
1991-1996 Caprice/Roadmaster/Fleetwood	RH	30	30.38"	2022653	26018080	447-1858
1989-1990 Caprice	RH & LH	28	30.43"	2022648	26014036	447-1668
1980-1988 Caprice/Impala/Electra/ Fleetwood/Electra	RH & LH	28	30.43"	2022645	22501599	447-1205
1988-1990 Caprice/Fleetwood/Brougham	RH & LH	30	30.25"	2022647	26014037	447-1407
1991-1996 Caprice/Estate Wagon, 1996-1992 Roadmaster	RH & LH	30	31.81"	2022652	26014038	447-1857
1991-1999 Yukon/Tahoe/Suburban	RH & LH	30	33"	2022612	26010416	447-1671
1978-1988 Suburban/Blazer/Jimmy	RH & LH	28	31.5"	2022600	14039547	447-1300
1988-1991 Suburban/Blazer/Jimmy	RH & LH	30	31.5"	2022609	26010414	447-1652
1988-1995 G1500/G2500	RH & LH	30	33.38"	2022613	26013313	447-1672
1987-1991 Suburban (RV Series)	RH & LH	30	31.5"	2022610	26010415	447-1669
1988-1999 Tahoe/Suburban/Yukon, 1992-1994 Blazer	RH & LH	30	32.00"	2022611	26010417	447-1670
1996-2002 Express/Savana	LH	30	33.32"	2022658	26042818	447-2172
1975-1998 G10/G20, 1988-1979 G1500/G2500	RH & LH	28	33.43"	2022590	14042690	447-1085
2007-2012 Avalanche, Escalade, Silverado, Sierra, Suburban, Yukon, Yukon XL	RH & LH	30	34.25"	2023479	15286380	447-190
2003-2006 Avalanche, Escalade, Silverado, Sierra, Suburban, Yukon, Yukon X	RH & LH	30	33.58"	10024295	12479285	447-2755
2005-2009 Saab 9-7X	LH	30	33.11"	10024298	19133412	447-2653
2005-2009 Saab 9-7X	RH	30	31.61"	10024299	19133413	447-2652
2002-2009 Trailblazer / Envoy	LH	30	33.11"	10024298	19133412	447-2653
2002-2009 Trailblazer / Envoy	RH	30	31.61"	10024299	19133413	447-2652
2004-2007 Buick Rainier	LH	30	33.11"	10024298	19133412	447-2653
2004-2007 Buick Rainier	RH	30	31.61"	10024299	19133413	447-2652
2003-2006 Chevrolet SSR	LH	30	33.11"	10024298	19133412	447-2653
2003-2006 Chevrolet SSR	RH	30	31.61"	10024299	19133413	447-2652
2003-2006 Isuzu Ascender	LH	30	33.11"	10024298	19133412	447-2653
2003-2006 Isuzu Ascender	RH	30	31.61"	10024299	19133413	447-2652

**Spicer Life Series (SPL) Premium Performance Universal Joint Kit Packs**

Application	Spicer Part #
1999-2004 1500 HD Pickup (Regular Cab)	SPL1021CK
2005 1500 HD Pickup (Regular Cab w/ Inside Snap Rings)	SPL1021CK
1999-2001 1500 HD Pickup (Ext. Cab, Short Bed)	SPL1022CK
2002-2004 1500 HD Pickup (Ext. Cab, Std. Bed, w/o 4 Wheel Steer)	SPL1022CK
1999-2001 1500 HD Pickup (Ext. Cab, Long Bed)	SPL1023CK
2002-2004 1500 HD Pickup (Ext. Cab, Long Bed, w/o 4 Wheel Steer)	SPL1023CK
2002-2004 1500 HD Pickup (Ext. Cab, Std Bed, w/ 4 Wheel Steer)	SPL1024CK
2005 1500 HD Pickup (Regular Cab w/ Outside Snap Rings)	SPL1024CK
2006 1500 HD Pickup (Regular Cab, Ext. Cab - Std. Bed, Crew Cab)	SPL1024CK
2002-2004 1500 HD Pickup (Crew Cab)	SPL1025CK
2006 1500 HD Pickup (Ext. Cab Long Bed)	SPL1025CK

**Pinion Yokes**

Description	U-Joint Series	Spicer Part #	U-Bolt Kit #
Forged End Yoke-30 Spline (U-Bolt Style)	1350	10025466	3-94-18X

**Misc. Components**

Description	Spicer Part #
Friction Modifier/POSI Additive	43161
RTV Sealant (2.8 oz.)	38615
4WD Actuator	10033321

*For complete information, please check DanaAftermarket.com*

## GM 8.875" 12 Bolt Car

Applications		
Year	Make	Model
1964-1972	Chevrolet	Bel Air
1967-1972	Chevrolet	Camaro
1964-1972	Chevrolet	Chevelle/Malibu
1965-1972	Chevrolet	El Camino
1964-1972	Chevrolet	Impala
1968-1972	Chevrolet	Nomad
1969-1972	Pontiac	Trans Am
1964-1972	Chevrolet	Biscayne
1966-1970	Chevrolet	Caprice
1964-1968	Chevrolet	Chevy II
1970-1972	Pontiac	GTO
1970-1972	Chevrolet	Monte Carlo
1964-1972	Chevrolet	Nova
1964-1972	Chevrolet	Wildcat

Ring & Pinions		
Ratio	SVL Part #	Note
3.08	10001328	-
3.42	10001331	-
3.55	10001411	-
3.73	10001414	-
3.73	2023890	Thin Gear for 4.10 & Up Carrier
3.90	2023893	-
4.11	2023896	-
4.11	2023899	Thick Gear for 3.90 & Up Carrier
4.56	2023902	-
4.88	2023905	-
5.13	2023908	-

Rear Axle Shafts						
Application	Location	Spline	Length (in)	SVL Part #	OE Part #	Hollander Part #
1965-1972 Chevelle/El Camino, 1967-1969 Camaro, 1965-1967 Malibu	RH/LH	30	29.46"	2022626-1	3969349	447-788
1968-1972 Chevelle/El Camino, 1970 Camaro/Firebird	RH/LH	30	29.96"	2022626-2	3969285	447-913

Differential Rebuild Kits	
Description	Spicer Part #
Standard Differential Rebuild Kits	10024045
Master Overhaul Kit	10024046

Carrier Case Inner Gear Kits		
Description	Spline	SVL Part #
Eaton Style POSI	30 Spline	2023882
Open Differential	30 Spline	2023883

Differential/Spools		
Description	Spline	Spicer Part #
Mini Spool	30 Spline	10015379

Differential Cover Gaskets	
Description	Spicer Part #
High Performance / Reusable	RD51996

Misc. Components	
Description	Spicer Part #
Friction Modifier/POSI Additive	43161
RTV Sealant (2.8 oz.)	38615

Pinion Yokes			
Description	U Joint Series	Spicer Part #	U-Bolt Kit #
Forged End Yoke-30 Spline (U-Bolt Style)	1350	10025493	3-94-18X

## GM 8.875" 12 Bolt Truck

Applications		
Year	Make	Model
1969-1981	Chevrolet	Blazer
1963-1987	Chevrolet	C15/ C1500 1/2 Ton (2WD)
1963-1987	Chevrolet	G15/ G1500 1/2 Ton
1969-1987	Chevrolet	K10/ K1500 1/2 Ton (4WD)
1963-1987	Chevrolet	K5 Blazer (4WD)
1963-1987	Chevrolet	Suburban 1/2 Ton
1967-1981	Chevrolet	C10 1/2 Ton (2WD)
1961-1981	Chevrolet	G10 1/2 Ton
1963-1987	Chevrolet	G25/ G2500 3/4 Ton
1963-1987	Chevrolet	K15/ K1500 1/2 Ton (4WD)
1963-1987	Chevrolet	Suburban 1/2 Ton

Ring & Pinions		
Ratio	SVL Part #	Application Notes
3.08	10001417	-
3.42	10001420	-
3.73	10001431	Thick Gear
4.11	10004677	-
4.11	10004680	Thick Gear
4.56	2023716	-
4.56	10004683	Thick Gear

Differential Rebuild Kits	
Description	Spicer Part #
Standard Differential Rebuild Kits	10038960
Master Overhaul Kit	10038961

Carrier Case Inner Gear Kits		
Description	Spline	SVL Part #
Posi Traction Differential	30 Spline	2023882
Open Differential	30 Spline	2023883

Differential Carrier Cases	
Description	SVL Part #
Open/Std. Case, 3.73 & Up, 30 Spline, (Unloaded)	10019411

Differential/Spools		
Description	Spline	Spicer Part #
Mini Spool	30 Spline	10015379

Pinion Yokes			
Description	U-Joint Series	Spicer Part #	U-Bolt Kit #
Forged End Yoke-30 Spline (U-Bolt Style)	1350	10025493	3-94-18X

Misc. Components	
Description	Spicer Part #
Friction Modifier/POSI Additive	43161
RTV Sealant (2.8 oz.)	38615

Rear Axle Shafts							
Application	Location	Spline	Length (in)	SVL Part #	OE Part #	Hollander Part #	
1970-1981 K-Series Suburban/Blazer	RH/LH	30	31.43"	2022588	14071750	447-1063	
1970-1987 Blazer, Jimmy, Pickup & Suburban 1/2 Ton 2WD	RH/LH	30	31.43"	2022587	14071751	447-1062	

## GM 9.25" IFS Front (2010 & Down)

Applications		
Year	Make	Model
2002-2006	Chevrolet	Avalanche 2500 (Front)
2004-2010	Chevrolet	Express Van 3500 (Front)
1988-2000	Chevrolet	K20/K2500 (Front)
1989-2000	Chevrolet	K30/K3500 (Front)
2001-2010	Chevrolet	Silverado 1500 HD (Front)
1999-2010	Chevrolet	Silverado 2500 (Front)
2001-2010	Chevrolet	Silverado 3500 (Front)
1988-2010	Chevrolet	Suburban (Front)
1988-2000	GMC	K25/K2500 (Front)
1989-2000	GMC	K35/K3500 (Front)
2001-2010	GMC	Sierra 1500 HD (Front)
2001-2010	GMC	Sierra 2500 (Front)
2001-2010	GMC	Sierra 3500 (Front)
2000-2010	GMC	Sierra Denali (Front)
1992-2010	GMC	Yukon 2500 (Front)
2000-2010	GMC	Yukon XL 2500 (Front)
2002-2009	Hummer	H2 (Front)

Differential Rebuild Kits	
Description	Spicer Part #
Standard Differential Rebuild Kits	10024047
Master Overhaul Kit	10024048

Differential Carrier Case Kits	
Description	SVL Part #
Open/Std. Case, 3.42 & Up (Unloaded)	10019420

Misc. Components	
Description	Spicer Part #
Friction Modifier/POSI Additive	43161
RTV Sealant (2.8 oz.)	38615

Spicer Life Series (SPL) Premium Performance Universal Joint Kit Packs	
Application	Spicer Part #
1999-2004 1500 HD Pickup (Regular Cab)	SPL1021CK
2005 1500 HD Pickup (Regular Cab w/ Inside Snap Rings)	SPL1021CK
1999-2001 1500 HD Pickup (Ext. Cab, Short Bed)	SPL1022CK
2002-2004 1500 HD Pickup (Ext. Cab, Std. Bed, w/o 4 Wheel Steer)	SPL1022CK
1999-2001 1500 HD Pickup (Ext. Cab, Long Bed)	SPL1023CK
2002-2004 1500 HD Pickup (Ext. Cab, Long Bed, w/o 4 Wheel Steer)	SPL1023CK
2002-2004 1500 HD Pickup (Ext. Cab, Std. Bed, w/ 4 Wheel Steer)	SPL1024CK
2005 1500 HD Pickup (Regular Cab w/ Outside Snap Rings)	SPL1024CK
2006 1500 HD Pickup (Regular Cab, Ext. Cab - Std. Bed, Crew Cab)	SPL1024CK
2002-2004 1500 HD Pickup (Crew Cab)	SPL1025CK
2006 1500 HD Pickup (Ext. Cab Long Bed)	SPL1025CK



## GM 9.5" Rear

Applications		
Year	Make	Model
1988-2008	GM	1500 HD
1981-2008	GM	2500 (Non HD)
2003-2008	Hummer	H2

Differential Carrier Case Kits	
Description	SVL Part #
Std./Open 3.42 & Up (Unloaded Case)	10019420

Carrier Case Inner Gear Kits		
Description	Spline	SVL Part #
Open/Std. Differential	33	2023880

Misc. Components	
Description	Spicer Part #
Friction Modifier/POSI Additive	43161
RTV Sealant (2.8 oz.)	38615

Rear Axle Shafts						
Application	Location	Spline	Length (in)	SVL Part #	OE Part #	Hollander Part #
1988-2000 1500/2500/3500	RH/LH	33	31.78"	10024296	15522070	447-1615

## GM 10.5" 14 Bolt

Applications		
Year	Make	Model
2002-2006	Chevrolet	Avalanche 2500
1973-1988	Chevrolet	C20 3/4 Ton 2WD
1989-2000	Chevrolet	C2500 3/4 Ton 2WD
1973-1988	Chevrolet	C30 1Ton 2WD
1989-2002	Chevrolet	C3500
1996-2013	Chevrolet	Express Van 2500 3/4 Ton
1996-2013	Chevrolet	Express Van 3500 1 Ton
1975-1995	Chevrolet	G20 3/4 Ton
1979-1996	Chevrolet	G30 1 Ton
1973-2000	Chevrolet	K20/K2500 3/4 Ton 4WD
1972-2000	Chevrolet	K30/ K3500 1 Ton 4WD
1997-2005	Chevrolet	P30 1 Ton Van
1997-1999	Chevrolet	P3500
1999-2013	Chevrolet	Silverado 2500 3/4 Ton
2001-2013	Chevrolet	Silverado HD 1500 1/2 Ton
1999-2013	Chevrolet	Silverado HD 2500 3/4 Ton
2001-2013	Chevrolet	Silverado HD 3500 1 Ton
1973-2013	Chevrolet	Suburban 3/4 Ton
1973-2000	GMC	C25/ C2500 3/4 Ton 2WD
1973-2002	GMC	C35/ C3500 1 Ton 2WD
1981-1987	GMC	G15/ G1500 1/2 Ton
1979 -1996	GMC	G35/ G3500 1 Ton
1966-2000	GMC	K25/ K2500 3/4 Ton 4WD
1977-2000	GMC	K35/K3500 1 Ton 4WD
1996-2013	GMC	Savana 2500 3/4 Ton
1996-2013	GMC	Savana 3500 1 Ton
1999-2013	GMC	Sierra 2500 3/4 Ton
1999-2013	GMC	Sierra 2500 HD 3/4 Ton
1973-2000	GMC	Suburban 3/4 Ton
1992-2013	GMC	Yukon 2500 3/4 Ton
2006-2013	GMC	Yukon XL 2500 3/4 Ton

Ring & Pinions		
Ratio	SVL Part #	Application Notes
3.21	2023929	-
3.42	2023911	-
4.11	2023917	-
4.56	2023932	-
4.56	2023935	Thick Gear - Used with 4.10 & Down Carrier Case
4.88	2023920	Thick Gear - Used with 4.10 & Down Carrier Case
5.13	2023923	Thick Gear - Used with 4.10 & Down Carrier Case
5.38	2023926	Thick Gear - Used with 4.10 & Down Carrier Case

### Differential Rebuild Kits

#### Rear Axle Shafts

Application	Location	Spline	Length (in)	SVL Part #	OE Part #	Hollander Part #
1999-2008	RH	30	38.98"	10024293	12471329	447-2594
1999-2008	LH	30	33.43"	10027481	26045426	447-2284

### Standard Differential Rebuild Kit

Application	Spicer Part #
1973-1988 GM 10.5" 14 Bolt	10024049
1988-1997 GM 10.5" 14 Bolt	10024051

### Master Overhaul Kit

Application	Spicer Part #
1973-1988 GM 10.5" 14 Bolt	10024050
1988-1997 GM 10.5" 14 Bolt	10024052

### Differential Carrier Case Kits

Description	SVL Part #
Open/Std. Case, 4.10 & down (Unloaded)	10019431

### Spools

Description	Spicer Part #
4.10 & Down, 30 Spline	2022498

### Differential Cover Gaskets

Description	Spicer Part #
High Performance / Reusable	RD51995

### Spicer Life Series (SPL) Premium Performance Universal Joint Kit Packs

Application	Spicer Part No.
1999-2004 1500 HD Pickup (Regular Cab)	SPL1021CK
2005 1500 HD Pickup (Regular Cab w/ Inside Snap Rings)	SPL1021CK
1999-2001 1500 HD Pickup (Ext. Cab, Short Bed)	SPL1022CK
2002-2004 1500 HD Pickup (Ext. Cab, Std. Bed, w/o 4 Wheel Steer)	SPL1022CK
1999-2001 1500 HD Pickup (Ext. Cab, Long Bed)	SPL1023CK
2002-2004 1500 HD Pickup (Ext. Cab, Long Bed, w/o 4 Wheel Steer)	SPL1023CK
2002-2004 1500 HD Pickup (Ext. Cab, Std. Bed, w/ 4 Wheel Steer)	SPL1024CK
2005 1500 HD Pickup (Regular Cab w/ Outside Snap Rings)	SPL1024CK
2006 1500 HD Pickup (Regular Cab, Ext. Cab - Std. Bed, Crew Cab)	SPL1024CK
2002-2004 1500 HD Pickup (Crew Cab)	SPL1025CK
2006 1500 HD Pickup (Ext. Cab Long Bed)	SPL1025CK

### Misc. Components

Description	Spicer Part #
Friction Modifier/POSI Additive	43161
RTV Sealant (2.8 oz.)	38615
4WD Actuator	10033320

*For complete information, please check DanaAftermarket.com*

## GM 11.5" AAM

Applications		
Year	Make	Model
2001-2015	Chevrolet	Express Van 3500
2001-2015	Chevrolet	Silverado 2500
2001-2015	Chevrolet	Silverado 3500
2001-2015	Chevrolet	Silverado HD 2500
2001-2015	Chevrolet	Silverado HD 3500
2001-2015	GMC	Savana 3500
2001-2015	GMC	Sierra 2500
2001-2015	GMC	Sierra 2500 HD
2001-2015	GMC	Sierra 3500
2001-2015	GMC	Sierra 3500 HD

Ring & Pinions	
Ratio	SVL Part #
3.42	10004686
3.73	2020648
4.10	2020651
4.56	2020654
4.88	2020657
5.13	2023688
5.38	2023691

Differential Rebuild Kits	
Standard Differential Rebuild Kit	
Application	Spicer Part #
2001-2010 GM 2500/3500	10038964
2011-2015 GM 2500/3500	10038966
2001-2010 GM Van 3/4 & 1 Ton	10038964
2011-2015 GM Van 3/4 & 1 Ton	10038966
Master Overhaul Kit	
Application	Spicer Part #
2001-2010 Chevrolet 2500/3500	10038965
2011-2015 Chevrolet 2500/3500	10038967
2001-2010 GM Van 3/4 & 1 Ton	10038965
2011-2015 GM Van 3/4 & 1 Ton	10038967

Carrier Case Inner Gear Kits	
Description	SVL Part #
Standard Open, 30 Spline	2023881

Misc. Components	
Description	Spicer Part #
Friction Modifier/POSI Additive	43161
RTV Sealant (2.8 oz.)	38615
4WD Actuator	10033320

For complete information, please check [DanaAftermarket.com](http://DanaAftermarket.com)

Rear Axle Shafts						
Application	Location	Spline	Length (in)	SVL Part #	OE Part #	Hollander Part #
2001-2009 Silverado/Sierra 2500/3500	RH / LH	30	35.96"	10024294	12471486	447-2595

## Toyota 7.5" Standard Rotation

Applications		
Year	Make	Model
1979-1997	Toyota	Hilux 2WD Rear
1977-1995	Toyota	Pickup 2WD Rear
1995-2006	Toyota	Tacoma 2WD Rear
1986-1995	Toyota	4Runner/Pickup 4WD Front IFS Std. Rotation (4 & 6 Cyl.)
1986-1997	Toyota	Hilux 4WD Front IFS Std. Rotation (4 & 6 Cyl.)
1993-1998	Toyota	T100 4WD Front IFS Std. Rotation (6 Cyl.)

Ring & Pinions		
Ratio	SVL Part #	Industry #
4.56	2021378	T7.5-456IFS
4.88	2021369	T7.5-488IFS
5.29	2021375	T7.5-529IFS

Differential Rebuild Kits	
1979-1995 Pickup/4Runner, 87-1995 Supra Non-Turbo	
Description	Spicer Part #
Standard Differential Rebuild Kits	10024053
Master Overhaul Kit	10024054

Misc. Components	
Description	Spicer Part #
Friction Modifier/POSI Additive	43161
RTV Sealant (2.8 oz.)	38615

Spicer Life Series (SPL) Premium Performance Universal Joint Kit Packs	
Application	Spicer Part #
1999-2004 1500 HD Pickup (Regular Cab)	SPL1021CK
2005 1500 HD Pickup (Regular Cab w/ Inside Snap Rings)	SPL1021CK
1999-2001 1500 HD Pickup (Extended Cab, Short Bed)	SPL1022CK
2002-2004 1500 HD Pickup (Extended Cab, Std. Bed, w/o 4 Wheel Steer)	SPL1022CK
1999-2001 1500 HD Pickup (Extended Cab, Long Bed)	SPL1023CK
2002-2004 1500 HD Pickup (Extended Cab, Long Bed, w/o 4 Wheel Steer)	SPL1023CK
2002-2004 1500 HD Pickup (Extended Cab, Std Bed, w/ 4 Wheel Steer)	SPL1024CK
2005 1500 HD Pickup (Regular Cab w/ Outside Snap Rings)	SPL1024CK
2006 1500 HD Pickup (Regular Cab, Ext Cab - Std Bed, Crew Cab)	SPL1024CK
2002-2004 1500 HD Pickup (Crew Cab)	SPL1025CK
2006 1500 HD Pickup (Extended Cab Long Bed)	SPL1025CK

## Toyota 8" 4 Cylinder

Applications		
Year	Make	Model
1979-1985	Toyota	Pickup/4Runner Front
1979-1995	Toyota	Pickup/4Runner Rear (V6 & 4 Cyl.)
1987-1995	Toyota	Pickup Rear/4Runner Rev. Rotation
1990-1998	Toyota	Land Cruiser Front

Ring & Pinions		
Ratio	SVL Part #	Industry #
3.90	2021388	T390
4.11	10001325	T411
4.56	2020894	T456
4.88	2021381	T488
5.29	2020891	T529
5.71	2021372	T571

Differential Rebuild Kits	
Standard Differential Rebuild Kit	
Application	Spicer Part #
Non-Turbo	10024055
4 Cyl./6 Cyl. with Turbo	10024057
Master Overhaul Kit	
Application	Spicer Part #
Non-Turbo	10024056
4 Cyl./6 Cyl. with Turbo	10024058

Differential/Spools		
Description		Spicer Part #
Full Spool	4 Cyl. - 30 Spline	2023543
Full Spool	V6 - 30 Spline	2023539

Carrier Case Inner Gear Kits	
Description	SVL Part #
Standard Open, 30 Spline	10005781

Misc. Components	
Description	Spicer Part #
Friction Modifier/POSI Additive	43161
RTV Sealant (2.8 oz.)	38615

Rear Axle Shafts						
Application	Location	Spline	Length (in)	SVL Part #	OE Part #	Hollander Part #
1996-2002 4Runner	RH/LH	30	29.63"	2022672	4231135400	447-59694

## Toyota V6 Truck & Tacoma w/ OEM Locking Differential

Applications		
Year	Make	Model
1995-2013	Toyota	Tacoma Rear w/ OEM Locking Diff.
2007-2009	Toyota	FJ Cruiser Rear w/ OEM Locking Diff.
1993-1998	Toyota	T100 Rear w/ OEM Locking Diff.
1999-2006	Toyota	Tundra Rear w/o OEM Locking Diff.
1996-2009	Toyota	4Runner Rear w/ OEM Locking Diff.
1985-2009	Toyota	4Runner Rear (6 Cyl.)
1986-1995	Toyota	Pickup Rear (6 Cyl.) & (4 Cyl. Turbo)
1985-1997	Toyota	Hilux Rear (6 Cyl.) & (4 Cyl. Turbo)

Ring & Pinions		
Ratio	SVL Part #	Industry #
4.56	2019338	T456V6
4.88	2020526	T488V6
5.29	2020532	T529V6

Misc. Components	
Description	Spicer Part #
Friction Modifier/POSI Additive	43161
RTV Sealant (2.8 oz.)	38615

## Toyota T100 & Tacoma w/o OEM Locking Differential

Applications		
Year	Make	Model
1995-2013	Toyota	Tacoma 2/4WD Rear w/o OEM Locking Diff.
1993-1998	Toyota	T100 2/4WD Rear w/o OEM Locking Diff.
2001-2006	Toyota	Sequoia 2/4WD Rear w/o OEM Locking Diff. (6 Cyl.)
1999-2006	Toyota	Tundra 2WD Rear w/o OEM Locking Diff. (6 Cyl.)

Ring & Pinions		
Ratio	SVL Part #	Industry #
4.56	2021393	TAC456
4.88	2020915	TAC488
5.29	2021396	TAC529

Differential Carrier Cases	
Description	SVL Part #
Toy T100/Taco Open/Std. Case, 3.73 & Down (Unloaded)	10019430

Misc. Components	
Description	Spicer Part #
Friction Modifier/POSI Additive	43161
RTV Sealant (2.8 oz.)	38615

## Toyota 9.5" Landcruiser Standard Rotation

Applications		
Year	Make	Model
1969-1990	Toyota	Landcruiser Front Solid Axle
1969-2003	Toyota	Landcruiser Rear

Ring & Pinions		
Ratio	SVL Part #	Industry #
4.88	2021385	T488L

Misc. Components	
Description	Spicer Part #
Friction Modifier/POSI Additive	43161
RTV Sealant (2.8 oz.)	38615



# LIVE THE SPICER LIFE

## The Ultimate Dana 60® Crate Axle (Bolt-In Axle Assy. for Jeep Gladiator JT)

Application	Front Axle Part #	Rear Axle Part #
2020 and Newer Gladiator JT - 3.73 Ratio with Eaton ELocker®	10056042	10128131
2020 and Newer Gladiator JT - 4.10 Ratio with Eaton ELocker®	10056043	10128129
2020 and Newer Gladiator JT - 4.88 Ratio with Eaton ELocker®	10056032	10128143
2020 and Newer Gladiator JT - 5.38 Ratio with Eaton ELocker®	10056030	10128137
2020 and Newer Gladiator JT - 4.88 Ratio with ARB® Air Locker®	10088914	10128141
2020 and Newer Gladiator JT - 5.38 Ratio with ARB® Air Locker®	10088915	10128139

## Spicer 1350 Heavy Duty Rear Driveshaft for Jeep Gladiator JT with Ultimate Dana 60® Axles

Application	Position	Part #	Length - Collapsed/Extended (Inches)
Jeep Gladiator JT (UD60JT)	Rear	10132306	60.3 / 66.6



## Ultimate Jeep® Gladiator JT Performance Brought to You by Dana

Dana supports the Jeep® traditions of customization and modification with the aftermarket upgrades that get your Jeep Gladiator JT ready for battle. Ultimate Dana 60® axles, which won a 2019 SEMA New Product Award, are a bolt-in solution engineered to meet the demands of extreme off-roading. The Spicer® 1350 series rear driveshaft with CV joints features a two-piece design to avoid critical speed issues—a design that helped earn it a 2020 SEMA Global Media Award. When you're getting your JT trail-ready, trust Dana for uncompromising performance and a genuine OE factory-grade fit.



Jeep and Gladiator are registered trademarks of FCA US LLC. © 2020 Dana

SpicerParts.com/Jeep or for our e-catalog, DanaAftermarket.com  
#SpicerParts

© 2020 Dana Limited. All rights reserved.

# SPICER®





A F T E R M A R K E T

**PERFORMANCE**

STRENGTH. POWER. ENDURANCE.

**UNLEASHED.**

Product Information: [SpicerParts.com](http://SpicerParts.com) | E-Catalog and parts locator: [DanaAftermarket.com](http://DanaAftermarket.com)

**DanaAftermarket.com**

Dana Transejes

Zona Industrial Girón Km 7Bucaramanga - Colombia

Teléfono: (57)(7) 6468288 WhatsApp Business: 3134637685

Línea servicio al cliente: 018000117444 / [www.Spicer.com.co](http://www.Spicer.com.co)

Síguenos como Spicer en Colombia,  
Ecuador, Perú, Chile, Bolivia y Venezuela



**Aftermarket**